



Cat[®] 265

COMPACT TRACK LOADER

FEATURES:

The Cat[®] 265 Compact Track Loader, with its vertical lift design, delivers extended reach and lift height for quick and easy truck loading. Its standard torsion suspension undercarriage system provides superior traction, flotation, stability, and speed to work in a wide range of applications and underfoot conditions. The 265 features the following:

- **Redesigned Operator Station** delivers a larger operating environment, and combined with additional seat travel, the 265 provides more space for operators of any size. The optional **one-piece, sealed, and pressurized cab** offers a clean and quiet workspace with excellent air distribution through optimally placed vents throughout the cab.
- **Available ventilated and heated high-back air ride seat** with seat-mounted adjustable joystick controls deliver industry-leading operator comfort.
- **High-performance power train** provides selectable settings for drive power priority and maximum travel speed (overdrive) to customize the machine performance to match the task.
- **Three levels of auxiliary hydraulic performance available** Standard Flow, High Flow, and High Flow XPS. **Standard flow** for attachments that require a base level of auxiliary flow and horsepower, **High Flow** boosts the auxiliary flow for applications that demand additional hydraulic flow for increased attachment performance, and the **High Flow XPS** hydraulic system provides maximum auxiliary hydraulic performance by delivering additional flow and additional pressure for the most demanding attachments and applications.
- **Electronically controlled Cat C2.8TA (turbo after-cooled) engine** delivers maximum horsepower across a wide RPM range and providing high torque for increased working performance, no matter the application.
- **Standard torsion suspension undercarriage and standard two-speed travel**, combined with the optional Speed Sensitive Ride Control system improves operation on rough terrain, enabling better load retention, increased productivity, and greater operator comfort.
- **Maximize machine capability and control with the Advanced Joysticks and Advanced Touchscreen Monitor.** The **20.3 cm (8-inch) Advanced Touchscreen Monitor** offers cutting-edge functionality and control that includes an integrated radio, Bluetooth[®] connectivity, and multi-camera (side-view) option, and supports 32 different language choices. The **Advanced Joysticks** provide unmatched control of machine functions and adjustments within the display without the operator having to remove his hands from the controls. This includes the on-joystick navigation of the Advanced Touchscreen Monitor, radio volume up/down/mute, creep activation, creep on/off, creep speed increment/decrement, one-button Smart Attachment control activation, and additional auxiliary control buttons that deliver single-button control of complex attachment functions.
- **Ground-level access** to all daily service and routine maintenance points help reduce machine downtime for greater productivity.
- **Broad range of performance-matched Cat Attachments** make the Cat Compact Track Loaders the most versatile machine on the job site.

Specifications

Engine

Engine Model	Cat [®] C2.8TA (turbo after-cooled)	
Gross Power SAE J1995	55.3 kW	74.2 hp
Net Power SAE J1349	54.8 kW	73.5 hp
Net Power ISO 9249	54.5 kW	73.1 hp
Peak Torque at 1,360 rpm SAE J1995	380 N·m	280 lbf·ft
Displacement	2.8 L	171 in ³
Stroke	90 mm	3.5 in
Bore	110 mm	4.3 in

- Advertised power is tested per the specified standard in effect at the time of manufacture.
- Net power advertised is the power available at the flywheel when the engine is equipped with fan at minimum speed, air intake system, exhaust system, and alternator.

Weights*

Operating Weight	4759 kg	10,492 lb
Tip Load	3659 kg	8,066 lb
Rated Operating Capacity (ROC) (35%)	1280 kg	2,823 lb
ROC (50%)	1829 kg	4,033 lb

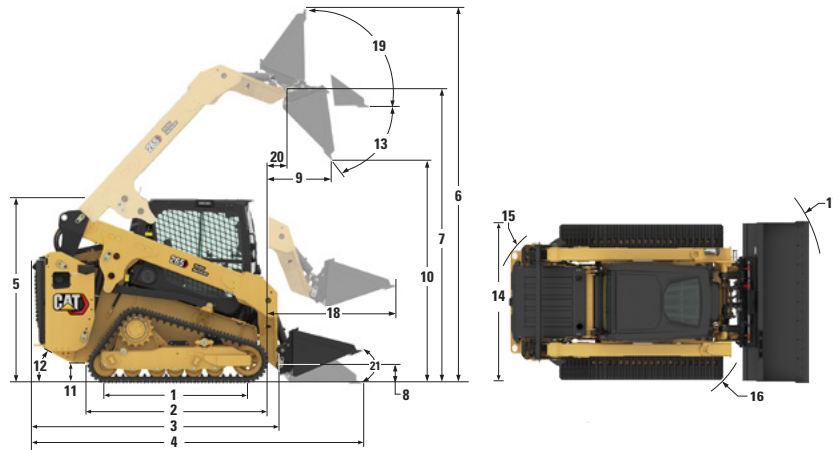
Weights* (continued)

Enclosed Cab Adds to Operating Weight	+82 kg	+180 lb
Tip Load	+97 kg	+214 lb
ROC (35%)	+34 kg	+75 lb
Counterweight Adds to Operating Weight	+125 kg	+276 lb
Tip Load	+224 kg	+494 lb
ROC (35%)	+78 kg	+173 lb

*Operating Weight, Operating Specifications, and Dimensions are based on 2036 mm (80") low profile bucket with bolt on cutting edge, 450 mm (17.7") wide track, 75 kg (165 lb) operator, open canopy, mechanical suspension seat, HD battery with disconnect, standard flow hydraulics, manual coupler, and full fluids. No external counterweights, and no dual self-level/return-to-dig/work tool positioner.



265 Compact Track Loader



Dimensions*

1 Length of Track on Ground	1626 mm	64.0 in	12 Departure Angle	28.2°
2 Overall Length of Track	2126 mm	83.7 in	13 Maximum Dump Angle	46.4°
3 Length without Bucket	2950 mm	116.1 in	14 Vehicle Width (450 mm/17.7 in tracks)	1925 mm 75.8 in
4 Length with Bucket on Ground	3580 mm	140.9 in	15 Turning Radius from Center – Machine Rear	1741 mm 68.5 in
5 Height to Top of Cab	2115 mm	83.3 in	16 Turning Radius from Center – Coupler	1436 mm 56.5 in
6 Maximum Overall Height	4173 mm	164.3 in	17 Turning Radius from Center – Bucket (racked)	2229 mm 87.8 in
7 Bucket Pin Height at Maximum Lift	3354 mm	132.0 in	18 Maximum Reach with Arms Parallel to Ground	1187 mm 46.7 in
8 Bucket Pin Height at Carry Position	213 mm	8.4 in	19 Rack Back Angle at Maximum Height	85.3°
9 Reach at Maximum Lift and Dump	638 mm	25.1 in	20 Bucket Pin Reach at Maximum Lift	249 mm 9.8 in
10 Clearance at Maximum Lift and Dump	2655 mm	104.5 in	21 Bucket rollback angle (ground level)	27°
11 Ground Clearance	216 mm	8.5 in		

Power Train

Travel Speed (Forward or Reverse)		
One Speed	8 km/h	5 mph
Two Speed	13 km/h	8.1 mph

Hydraulic System

Hydraulic Flow – Standard:		
Loader Hydraulic Pressure	24 130 kPa	3,500 psi
Loader Hydraulic Flow	86 L/min	23 gal/min
Hydraulic Power (calculated)	34.6 kW	46.4 hp
Hydraulic Flow – High Flow:		
Loader Hydraulic Pressure	24 130 kPa	3,500 psi
Loader Hydraulic Flow	113 L/min	30 gal/min
Hydraulic Power (calculated)	45.4 kW	60.9 hp
Hydraulic Flow – High Flow XPS:		
Loader Hydraulic Pressure	28 000 kPa	4,061 psi
Loader Hydraulic Flow	129 L/min	34 gal/min
Hydraulic Power (calculated)	60.2 kW	80.7 hp

Sound Performance

Inside Cab*	80 dB(A)
Outside Cab**	103 dB(A)

*The declared dynamic operator sound pressure levels per ISO 6395:2008. The measurements were conducted with the cab doors and windows closed and at 70% of the maximum engine cooling fan speed. The sound level may vary at different engine cooling fan speeds.

**The labeled sound power level for the CE marked configurations when measured according to the test procedure and conditions specified in 2000/14/EC.

Operating Specifications*

Rated Operating Capacity:			
35% Tipping Load	1280 kg	2,823 lb	
50% Tipping Load	1829 kg	4,033 lb	
Rated Operating Capacity with Optional Counterweight (at 35%)			
Tipping Load	1359 kg	2,996 lb	
Breakout Force, Tilt Cylinder	3659 kg	8,066 lb	
Breakout Force, Lift Cylinder	3937 kg	8,680 lb	
Breakout Force, Lift Cylinder	3057 kg	6,739 lb	
Ground Contact Area (450 mm/17.7 in track)	1.46 m ²	2,268 in ²	
Ground Pressure (450 mm/17.7 in tracks)	31.9 kPa	4.6 psi	

Cab

Rollover Protective Structure (ROPS)	ISO 3471:2008
Falling Object Protective Structure (FOPS)	ISO 3449:2005 Level I

Service Refill Capacities

Cooling System	10.7 L	2.8 gal
Engine Crankcase	8.2 L	2.2 gal
Fuel Tank	120.0 L	31.7 gal
Hydraulic System	36.8 L	9.7 gal
Hydraulic Tank	26 L	6.9 gal

ATTACHMENTS

Get more from your machine with Cat attachments. Choose from a wide variety of options and tailor your machine to different tasks and conditions.

- Augers
- Backhoes
- Bale Grabs
- Bale Spears
- Blades, Grader, Box, Angle and Dozer
- Brooms, Angle, Pickup and Utility
- Brushcutters
- Buckets
- Cold Planers
- Compactors
- Fork Tines and Carriages
- Hammers
- Material Handling Arm
- Mulchers
- Nursery Forks
- Rakes, Grapple, Landscape and Power Box
- Shears
- Snow Blowers
- Snow Plows
- Snow Pushes
- Snow Wings
- Stump Grinders
- Tillers
- Trenchers
- Wheel Saws
- Smart Backhoe
- Smart Dozer Blade with Assist
- Smart Grader Blade with Assist



265 Compact Track Loader

MANDATORY EQUIPMENT

- Quick Coupler: Manual or Hydraulic
- High Visibility Seat Belt: 50 mm (2 in), 75 mm (3 in), or 3-point lap/shoulder
- Steel Imbed Rubber Track – 450 mm (17.7 in) bar tread, 450 mm (17.7 in) block tread
- Dual Flange Front Idler/Single Flange Rear Idler or Triple Flange Front/Rear Idlers

PERFORMANCE PACKAGES

- Performance Package HP1: *Standard Flow Hydraulics*
- Performance Package HP3: *High Flow XPS Hydraulics*

COMFORT PACKAGES

- Open canopy: *Cup Holder, Cell Phone Pocket, choice of vinyl Seat (Mechanical Suspension, High Back/Heated/Air Ride Seat)*
- Enclosed Cab with heat and air conditioning: *Side Windows, Cup Holder, Cell Phone Pocket, choice of Seat (Mechanical Suspension, High Back/Heated Air Ride Seat, High Back/Ventilated and Heated Air Ride Seat) and Door choice (Glass or Polycarbonate)*

TECHNOLOGY PACKAGES

- T2 – *Standard Display, Standard Joysticks, traditional Key Start switch, and Rear-view camera.*
- T4 – *Advanced Touchscreen Monitor, Advanced Joysticks, Push start, X-mount cell phone holder, and a Rear-view camera.*
- T5 – *T4 + 2 additional side view cameras.*

RADIO

- Radio, *none* – *for open canopy machines and countries not certified for Bluetooth® technology*
- Integrated AM/FM radio with Bluetooth technology. *Includes USB port, 3.5 mm (0.13 in) AUX input, and BT microphone. Only for use with enclosed cab. Availability varies by country.*
- Integrated DAB+/AM/FM radio with Bluetooth technology. *Includes USB port, 3.5 mm (0.13 in) AUX input, and BT microphone. Only for use with enclosed cab. Availability varies by country.*

PRODUCT LINK™

- Product Link™ Basic series PL243
- Product Link Elite series PLE643

COOLING FAN

- On-demand, variable speed hydraulic cooling fan
- On-demand, variable speed hydraulic cooling fan, with automatic and manual purge reversing operation

GUARDING AND SEALING PACKAGES

- HD0 – *base guarding and sealing (engine air inlet rain cap, front cab-to-frame sealing, and hydraulic fill access door)*
- HD1 – *intermediate guarding and sealing† (HD0 + cab-to-frame side sealing, lockable fuel fill access door, tilt cylinder guarding, and drive line bottom guarding.)*
- HD2 – *most comprehensive guarding and sealing† (HD1 + turbo guard, exhaust stack wrap, light guarding, quick disconnect guarding, fully enclosed drive line guarding, under step hydraulic lines guard cover, engine air inlet pre-cleaner.)*

†Some equipment varies by region.

STANDARD EQUIPMENT

ELECTRICAL

- Work Tool Electrical Harness
- Heavy duty battery
- Battery disconnect with lockout feature
- 12-volt Electrical System
- 85 Ampere Alternator
- LED Work Lights
- Auto Reverse Lights
- Switch Backlighting
- Interior LED Dome Light
- Backup Alarm
- Electrical Outlet, Beacon
- Exterior Courtesy Lighting
- Automatic Work light notification flash when parking brake is released

OPERATOR ENVIRONMENT

- Full color LCD monitor: *Creep speed control, Drive response adjustment, Implement response adjustment, Drive Power Priority adjustment, Language selection (× 32), Multi-operator Anti-theft Security System and Monitoring, Maintenance schedule and reminders, Event and Diagnostic Code monitoring, Date /Time/ Units/Brightness settings, and Smart Technology for use with Smart Attachments.*
- Operator Warning System Indicators: *Air Filter Restriction, Alternator Output, Armrest Raised/Operator Out of Seat, Engine Coolant Temperature, Engine Oil Pressure, Glow Plug Activation, Hydraulic Supply Filter Restriction, Hydraulic Oil Temperature, Park Brake Engaged, Engine Emission System (where applicable)*
- Gauges: *Fuel Level, Hour Meter, Hydraulic Temperature, Hour Meter, Battery Voltage, Tachometer*
- Fold In Ergonomic Contoured Armrest
- Control Interlock System, when operator leaves seat or armrest raised: *Hydraulic System Disables, Hydrostatic Transmission Disables, Parking Brake Engages*
- ROPS Cab, Tilt Up
- FOPS, Level I
- Top and Rear Windows
- Floor Mat
- Headliner
- Interior Rearview Mirror
- Horn
- Hand (Dial) Throttle, Electronic
- Seat Mounted Joystick Controls
- Cell Phone Storage Pocket
- Cup Holder
- 12-volt power port
- Foot Throttle

HYDRAULICS

- Selectable control pattern – ISO or H
- Electro/hydraulic implement control
- Electro/hydraulic hydrostatic transmission control
- Speed sensor guarding
- Heavy duty flat faced quick disconnects with integrated pressure release lever
- Hydraulic oil level sight gauge

POWER TRAIN

- Cat C2.8TA turbocharged, after-cooled diesel engine, meeting Brazil MAR-1 emission standards, equivalent to EU Stage IIIA:
 - Glow plugs starting aid
 - Liquid cooled, direct injection
- Extended life antifreeze (–37° C, –34° F)
- Air cleaner, dual element, radial seal
- Scheduled Oil Sampling (S-O-SSM) Valve, Hydraulic Oil
- Ecology drain – coolant
- Radiator coolant level sight gauge
- Radiator expansion bottle
- Filter, hydraulic supply, cartridge type
- Filter, hydraulic return, cartridge type
- Filter, canister type, engine oil
- Filter, canister type, fuel and water separator
- Radiator/hydraulic oil
- Cooler (side-by-side)
- Spring applied, hydraulically released, parking brakes
- Hydrostatic transmission
- Lockable fuel cap
- Hydraulic demand cooling fan
- Auto engine idle

UNDERCARRIAGE

- Torsion Suspension (4 independent torsion axles)
- Two speed travel
- Integrated tie downs on track frame (4)

FRAME

- Machine tie down points (9)
- Removable panels for machine frame cleanout
- Support, lift arm
- Steel rear and front bumpers, welded
- Fuel fill, machine right hand side

OTHER

- Auxiliary Hydraulics, Continuous Flow
- Telematics, Product Link, Cellular
- Steel engine door with replaceable louvers
- Engine door – lockable
- Work tool attachment coupler
- Cat ToughGuard™ hose

265 Compact Track Loader

OPTIONAL EQUIPMENT

- External Counterweights
- Beacon, LED
- Engine Block Heater – 120V
- Oil, Hydraulic, Cold Operation
- 4-point machine lifting eyes
- Paint, Custom
- Speed Sensitive Ride Control
- Bluetooth Key Security
- Attachment Hose Guide
- Corrosion Inhibitor Coating

265 Compact Track Loader



For more complete information on Cat products, dealer services, and industry solutions, visit us on the web at www.cat.com

© 2023 Caterpillar
All rights reserved

Materials and specifications are subject to change without notice. Featured machines in photos may include additional equipment. See your Cat dealer for available options.

CAT, CATERPILLAR, LET'S DO THE WORK, their respective logos, "Caterpillar Corporate Yellow," the "Power Edge" and Cat "Modern Hex" trade dress as well as corporate and product identity used herein, are trademarks of Caterpillar and may not be used without permission.

AEHQ8456-00 (11-2023)
Build Number: 05A
(AME, S Am, ANZ,
APD excluding Japan)

