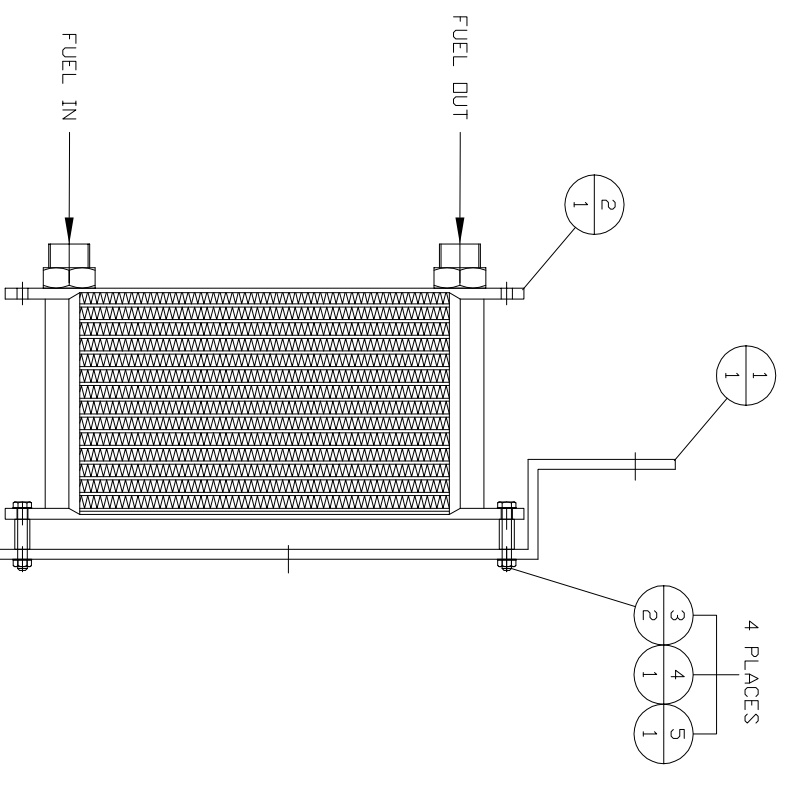
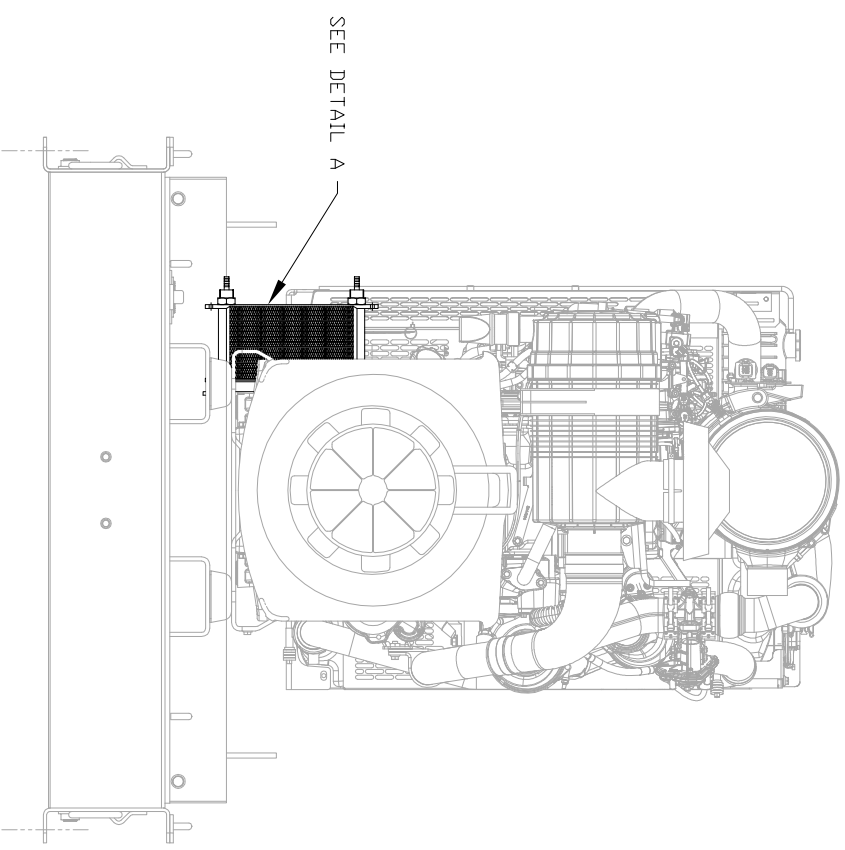
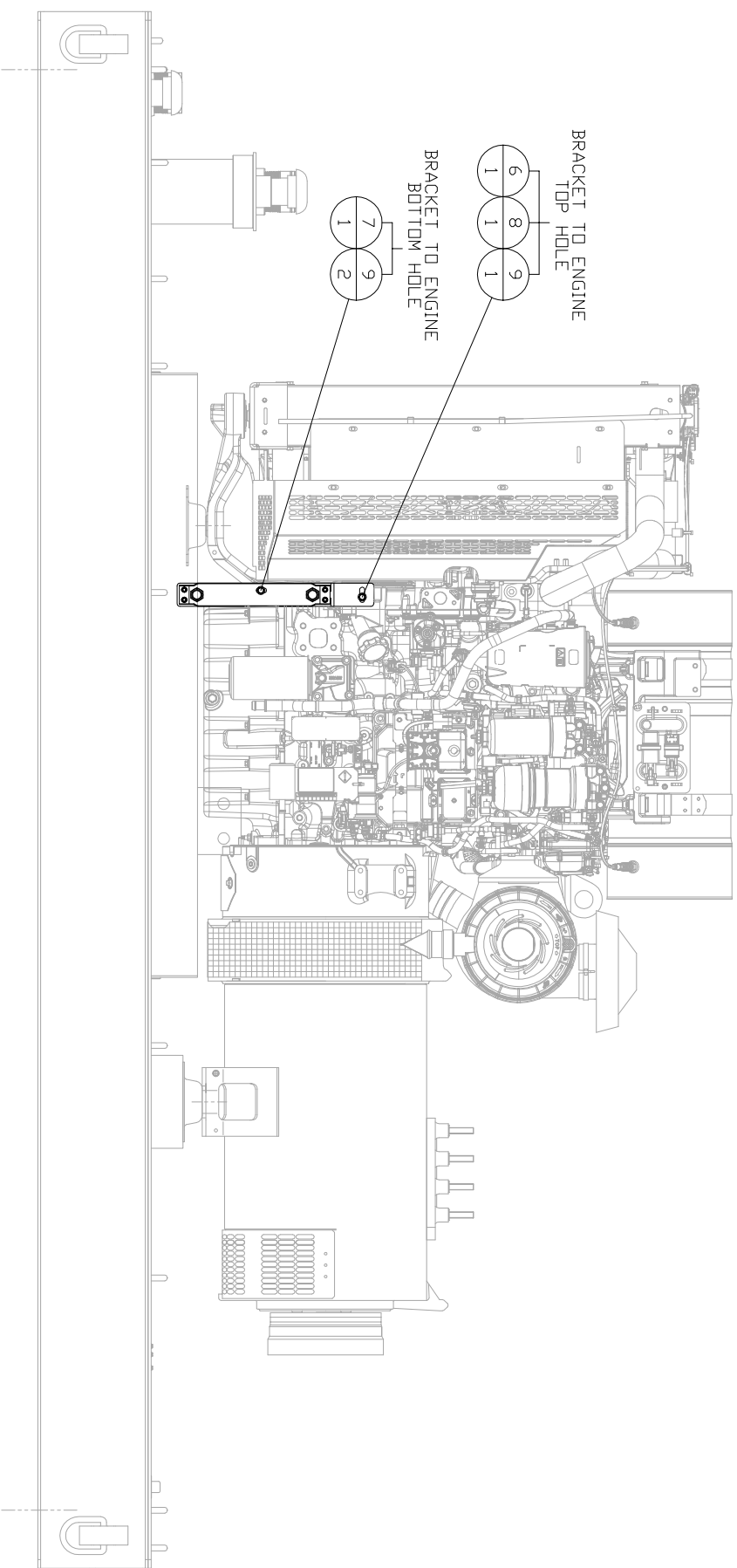


ITEM	QTY.	PART NO.	DESCRIPTION	WEIGHT
1	1	470601	BRACKET - FUEL COOLER	-
2	1	194-4330	FUEL COOLER	-
3	4	9X-8256	WASHER M6	-
4	4	8C-8451	BOLT M6-100x40mm	-
5	4	47C606	SPACER	-
6	1	198-4777	WASHER - HARD	-
7	1	8T-4136	BOLT M10-1.5x25mm	-
8	1	8T-4195	BOLT M10-1.5x30mm	-
9	3	8T-4121	WASHER M10	-



DETAIL A
FUEL COOLER TO BRACKET
SCALE 3X

NO.	CHANGE NOTICE	DATE BY
1	UPDATED MNT. BRACKET UPDATED HARDWARE	04/17/14 BML
2	UPDATED MNT. BRACKET UPDATED HARDWARE	07/14/14 BML



ALTORFER POWER SYSTEMS
6315 W. FAUBER RD.
BARTONVILLE, IL 61807
PHONE (309) 697-1234
FAX (309) 282-7546

THIS DOCUMENT CONTAINS PROPRIETARY INFORMATION OF ALTORFER, INC. WITHOUT THE WRITTEN PERMISSION OF ALTORFER, INC., ANY COPYING OR OTHER USE EXCEPT THAT FOR WHICH IT WAS INTENDED IS PROHIBITED.

ALL DIMENSIONS IN INCHES
UNLESS OTHERWISE SPECIFIED

TOLERANCES:
XXX ± 0.100
XXX ± 0.060
XXX ± 0.003

THIRD ANGLE PROJECTION

SCALE/SHEET SIZE: 1=10/C

DF/47A

PROJECT REFERENCE: APS60/100 RENTAL PACKAGE

DRAWN BY: BML

DATE: 04/15/14

1 OF 1 SHEET

WORK ORDER NUMBER: -

DRAWING NUMBER: 47A107-2