

QuickFit™

INSTALLATION GUIDE

KIT # 300471

ALTORFER APS1000



Tool Requirements:

- *Loctite® L592 or equivalent*
- *Drill w/ bits up to 1/2" dia.*
- *Wrenches up to 1 1/2"*
- *Standard & Metric socket sets*
- *Standard Allen key set to 3/4"*

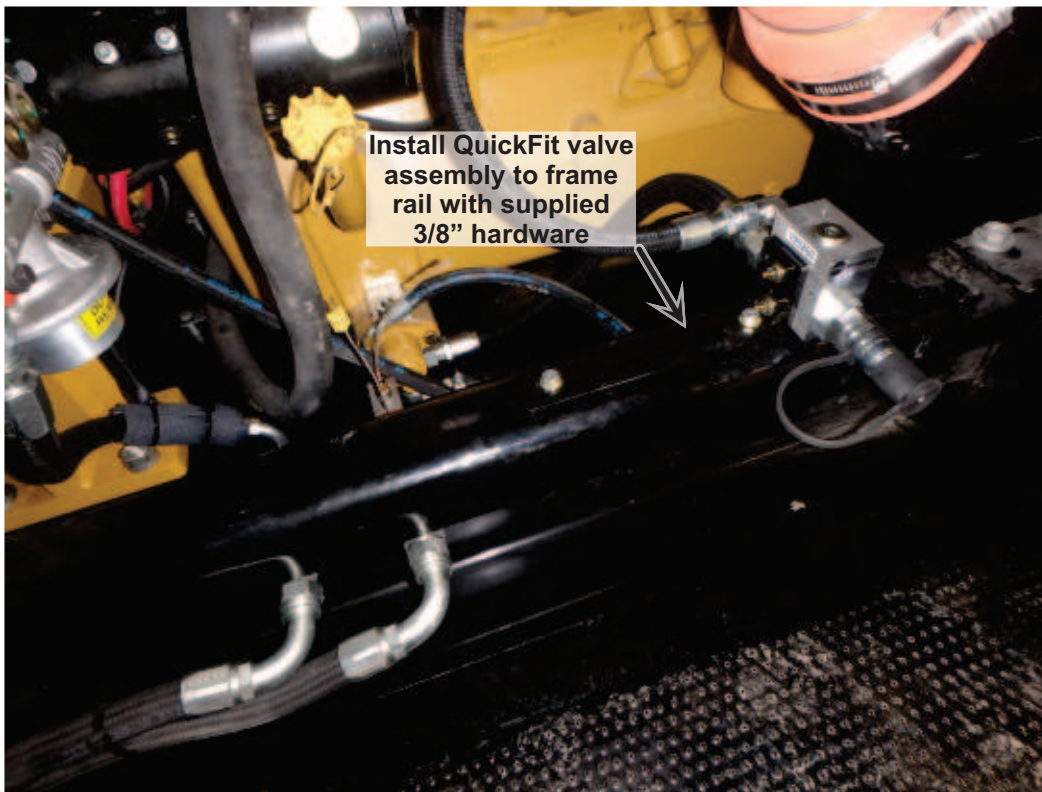
FOR TECHNICAL ASSISTANCE CALL 1-800-255-2250

RPM Industries, LLC • 1660 Jefferson Ave. • Washington, PA 15301
Phone: 1-800-255-2250 • www.rpmindustries.com • M-F 8:00AM - 5:00PM EST



12640

1. QuickFit Valve Installation



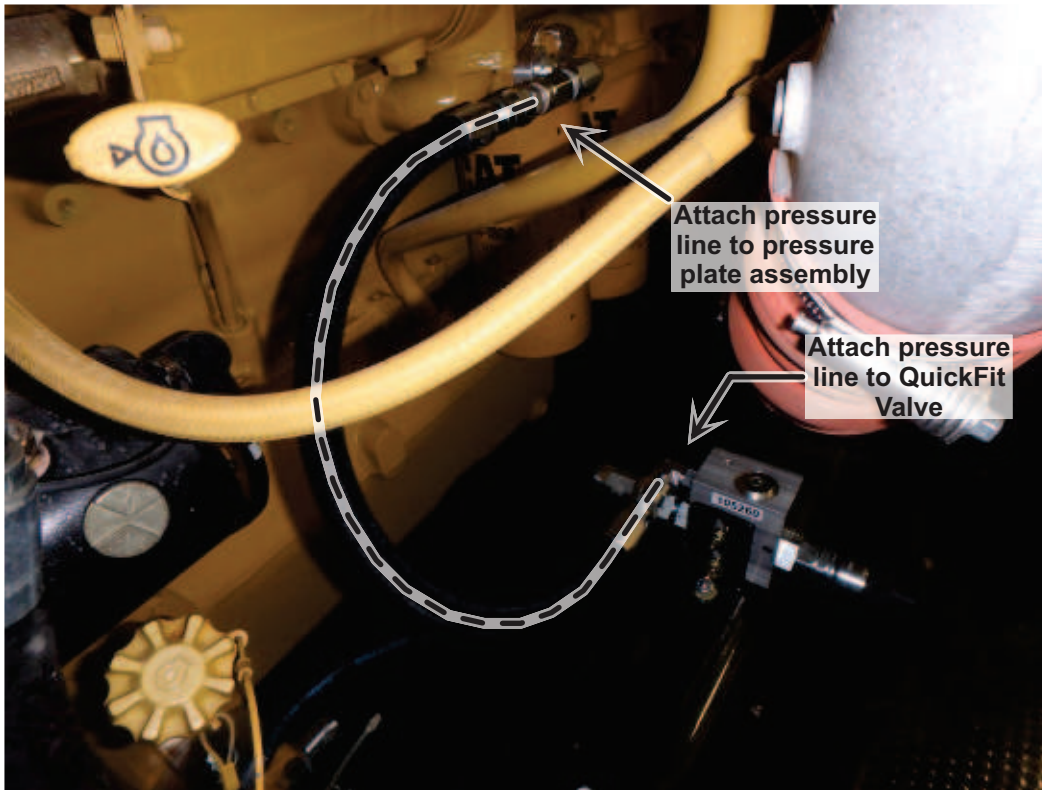
2. Engine Pressure Port Installation



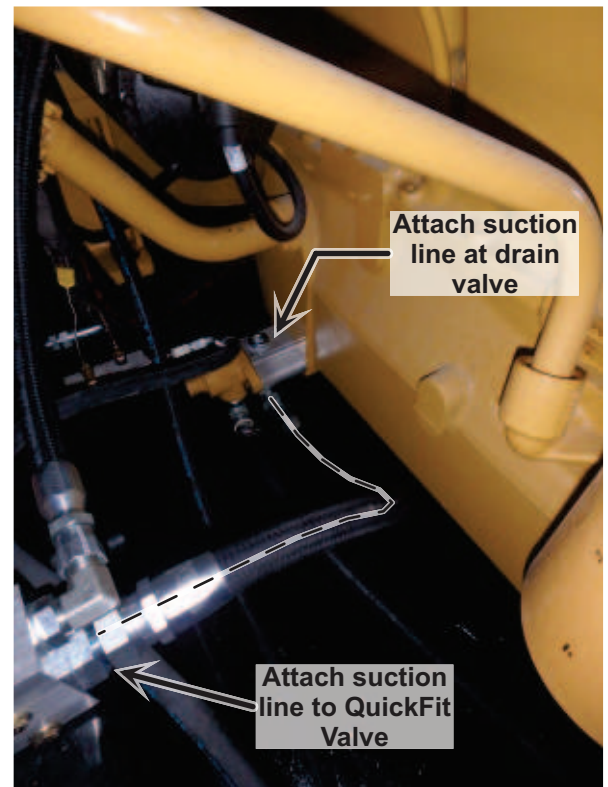
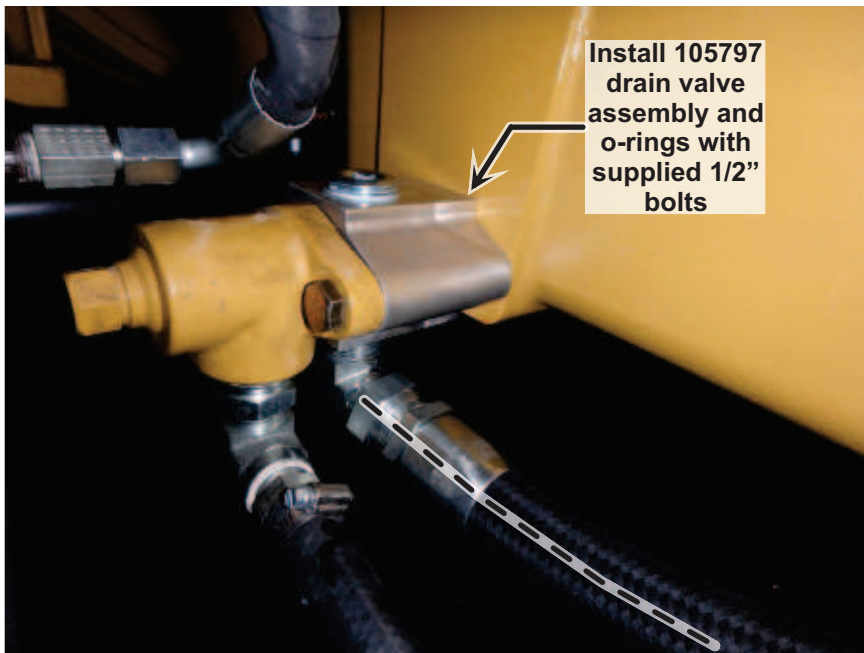
QuickFit™

INSTALLATION GUIDE

3. Pressure Line Installation



4. Suction Line Installation



When this block is black, this is an UNCONTROLLED DOCUMENT

Revision Level: 1
Date: 3-3-2015

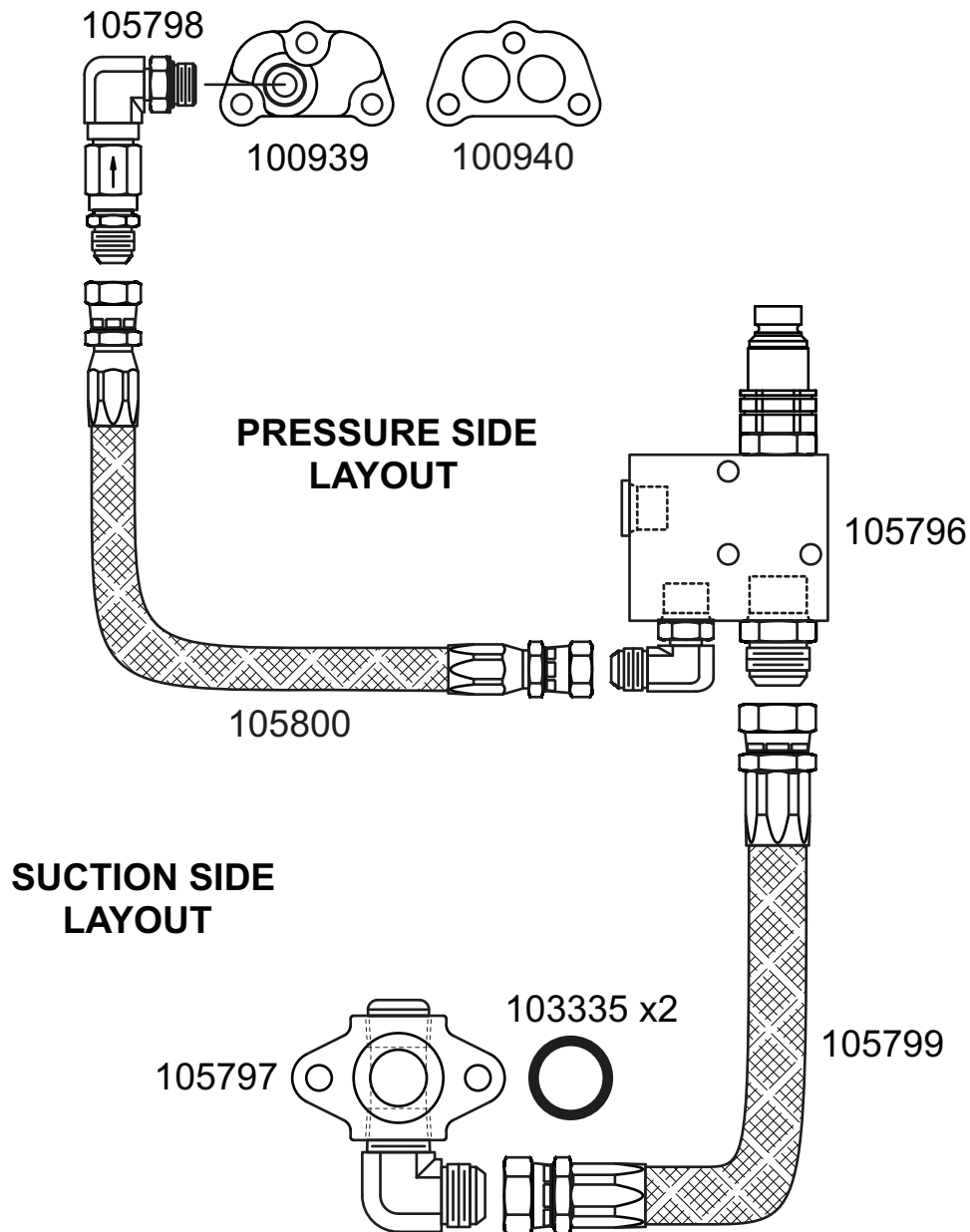
QuickFit™

INSTALLATION GUIDE

When this block is black, this is an UNCONTROLLED DOCUMENT

Revision Level: 1
Date: 3-3-2015

Plumbing Diagram (Supplied Kit)



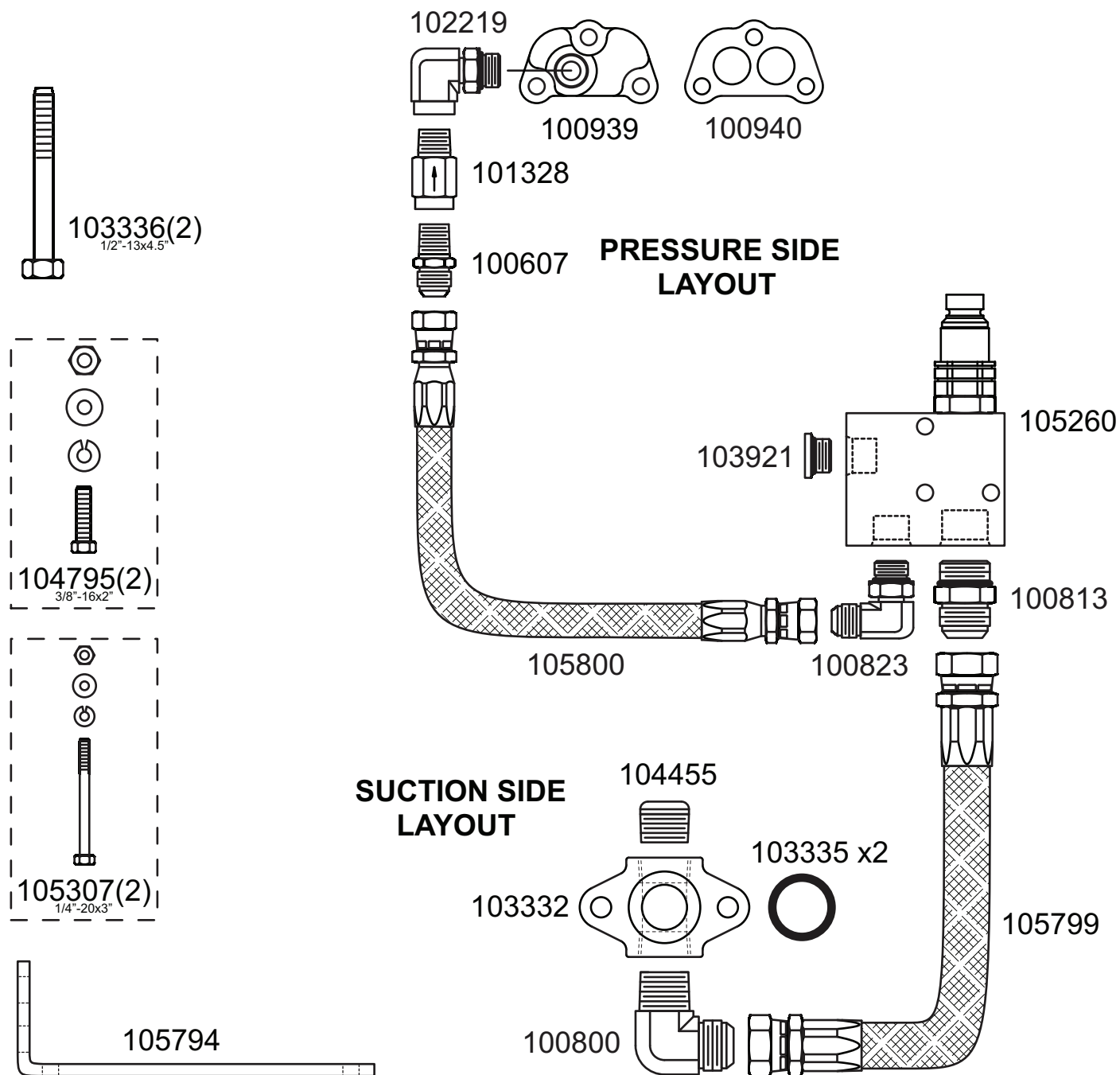
QuickFit™

INSTALLATION GUIDE

When this block is black, this is an UNCONTROLLED DOCUMENT

Revision Level: 1
Date: 3-3-2015

Plumbing Diagram (Individual Parts)



QuickFit™

INSTALLATION GUIDE

When this block is
black, this is an
UNCONTROLLED
DOCUMENT

Revision Level: 1

Date: 3-3-2015

Part #	Qty	Part Description
100607	1	Adapter, 8M NPT - 10M JIC
100800	1	ELBOW 90° 16M NPT - 16M JIC
100813	1	Adapter, 16M STOR - 16M JIC
100823	1	ELBOW 90° 10M STOR - 10M JIC
100939	1	Pressure Plate-Cooler Bypass, 10F STOR (left) for engine-mount filter
100940	1	Gasket - used with 100939 / 105318 plate.
101328	1	Check Valve, Piston 8F NPT - 8M NPT
102219	1	ELBOW 90° 10M STOR - 8F NPT
103332	1	Suction Plate - Drain Valve Insert, 16F NPT / 16F STOR
103335	2	O-Ring for 103332 Drain Plate
103336	2	Blt, 1/2-13 x 4.5, H, S, 8, ZD
103921	1	PLUG 10M STOR, 3/8" Allen
104455	1	PLUG 16M NPT, 5/8" Allen
104795	2	Bolt Assm, 3/8-16 x 2.0, H, S, 8, ZD
105260	1	QuickFit 1/2" FFQD Valve Assembly
105307	2	Bolt Assm, 1/4-20 x 3.0, H, S, 8, ZD
105513	1	Sticker - PERT
105681	1	Sticker - "QuickFit on Board"
105794	1	Bracket, Extra Long - QuickFit Small & Medium
105799	1	Hose Assy - FC350 #16 - STR(16 JIC), STR(16 JIC), 23"
105800	1	Hose Assy - FC350 #10 - STR(10 JIC), STR(10 JIC), 24"