

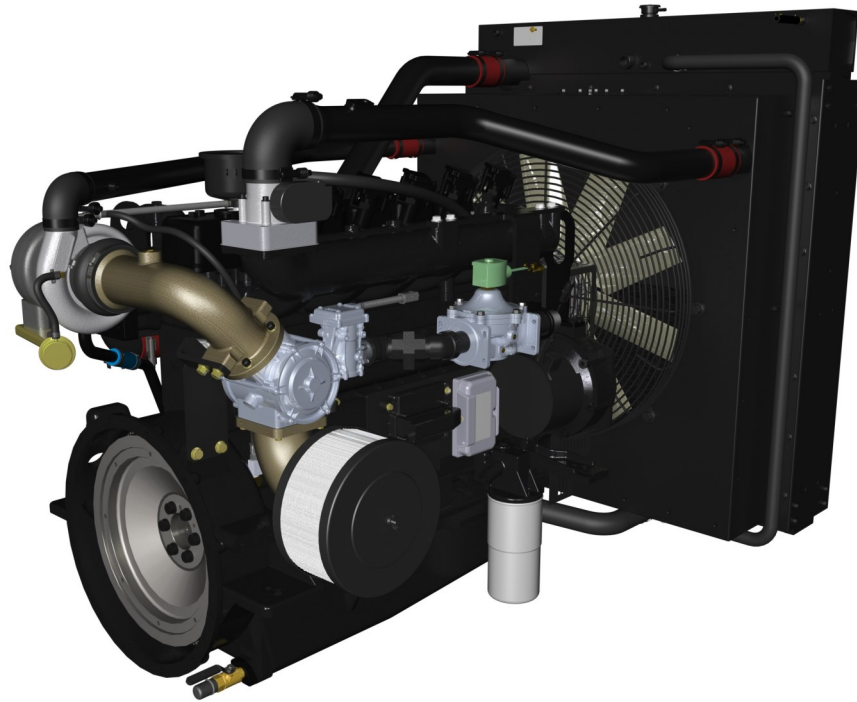


**POWER SOLUTIONS  
INTERNATIONAL**

---

# **8.1L ENGINE PARTS BOOK**

---



Engine Model: PSI 8.1L  
Engine Family: PSI, HEAVY-DUTY  
Engine Spec N.:  
Parts Bok Revision: APRIL 2016



## TABLE OF CONTENTS

SECTION	PAGE
PREVENTITIVE MAINTENANCE KITS .....	5-9
SERVICE KITS .....	10-14
CYLINDER BLOCK .....	15-16
TIMING GEAR CASE .....	17-18
FLYWHEEL HOUSING .....	19
WATER CHAMBER COVER .....	20
CRANKSHAFT .....	21
VIBRATION DAMPER .....	22
FLYWHEEL .....	23
CONNECTING ROD .....	24
PISTON .....	25
CRANKSHAFT PULLEY .....	26
CYLINDER HEAD .....	27
CYLINDER HEAD COVER .....	28
VALVES .....	29
ROCKER ARM .....	30
VALVE TAPPET AND PUSH ROD .....	31
CAMSHAFT .....	32
CAMSHAFT DRIVE .....	33
OIL PUMP .....	34
OIL PUMP DRIVE .....	35
OIL FILTER .....	36
OIL COOLER .....	37-38
OIL PAN .....	39-40
THERMOSTAT .....	41
WATER PUMP .....	42
COOLING WATER PIPE .....	43-44
EXHAUST MANIFOLD .....	45
INTAKE MANIFOLD .....	46
INJECTION PUMP DRIVE .....	47-48



## TABLE OF CONTENTS CONT.

SECTION	PAGE
ALTERNATOR MOUNT .....	49
SENSOR AND SWITCH .....	50
STARTER.....	51
ELECTRONIC IGNITION .....	52
ENGINE MOUNT .....	53
AIR FILTER.....	54
AIR FILTER MOUNT .....	55
ELECTRICAL.....	56
CATAYLST .....	57
COIL ASSEMBLY.....	58
CAM WHEEL SENSOR.....	59
HARNES.....	60
ALTERNATOR.....	61
FUEL .....	62
EPR AND MIXER.....	63
FUEL SYSTEM MOUNT .....	64
FRONT DRIVE .....	65
THROTTLE BODY.....	66
EXHAUST ADAPTER.....	67
PCV .....	68
TURBOCHARGER .....	69
AIR BLEED .....	70
FAN .....	71
FAN GUARD.....	72
RADIATOR.....	73
VAPORIZER .....	74-75

## 8.1L PM KITS, SERVICE KITS AND SERVICE ENGINES

PM KIT #	PART NUMBER	DESCRIPTION	QTY	NOTES
1	661008	STANDARD PM KIT	1	
2	661009	STANDARD PM KIT WITH SPARK PLUGS	1	
3	661010	PM KIT-GENERAL	1	
4	661030	PM KIT-TOP END	1	
5	661031	PM KIT-OVERHAUL	1	

SVC KIT #	PART NUMBER	DESCRIPTION	QTY	NOTES
A	600008	COMPLETE GASKET KIT	1	PER ENG.
B	660002	LINER KIT	1	PER CYL.
C	660001	TOP GASKET KIT	1	PER ENG.
D	660000	CYLINDER HEAD KIT	2	PER HEAD

REP ENG	PART NUMBER	DESCRIPTION	QTY	NOTES
1	59000018	8.1L WET SERVICE ENGINE	1	
2	59000023	8.1L DRY SERVICE ENGINE	1	

**PM KIT 1 STANDARD 661008**



661008-01

PM KIT #	PART NUMBER	DESCRIPTION	QTY	NOTES
1	610185	OIL FILTER	1	
1	610116	VALVE COVER GASKET	3	

**PM KIT 2 STANDARD WITH SPARK PLUGS 661009**



661009-01

PM KIT #	PART NUMBER	DESCRIPTION	QTY	NOTES
2	610185	OIL FILTER	1	
2	610116	VALVE COVER GASKET	3	
2	610344	SPARK PLUG	6	

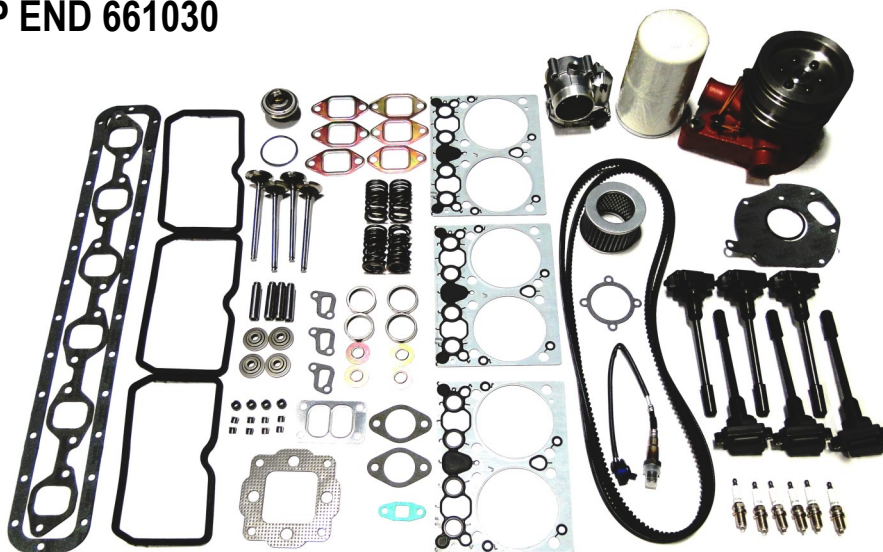
**PM KIT 3 GENERAL 661010**



661010-01

PM KIT #	PART NUMBER	DESCRIPTION	QTY	NOTES
3	610185	OIL FILTER	1	
3	610344	SPARK PLUGS	6	
3	53000009	IGNITION COIL WITH BOOTS	6	
3	32500662	THROTTLE BODY	1	
3	32500715	THROTTLE BODY GASKET	1	
3	53000025	BELT	2	
3	106457	CCV FILTER	1	
3	610116	VALVE COVER GASKET	3	
3	32501267	O2 SENSOR	1	

**PM KIT 4 TOP END 661030**



661030-01

PM KIT #	PART NUMBER	DESCRIPTION	QTY	NOTES
4	610185	OIL FILTER	1	
4	610344	SPARK PLUGS	6	
4	53000042	IGNITION COIL WITH BOOTS	6	
4	62500662	THROTTLE BODY	1	
4	62500715	THROTTLE BODY GASKET	1	
4	53000025	BELT	2	
4	106457	CCV FILTER	1	
4	32501267	O2 SENSOR	1	
4	610268	WATER PUMP	1	
4	610279	WATER PUMP GASKET	1	
4	612500	THERMOSTAT (181F 83C)	1	
4	610262	THERMOSTAT GASKET	1	
4	610261	THERMOSTAT O-RING	1	
4	660000	CYLINDER HEAD KIT	3	
4	660001	TOP GASKET KIT	1	
<b>OPTIONAL PARTS NOT INCLUDED</b>				
	53000016	ALTERNATOR	1	
	58010809	TURBO CHARGER	1	
	32501671	EPR	1	
	32501690	MIXER	1	
	33500772	AIR FILTER	1	
	58010810	COLD WEATHER CCV KIT	1	PRE 2015

SPEC N. :  
REV. DATE:12APR16



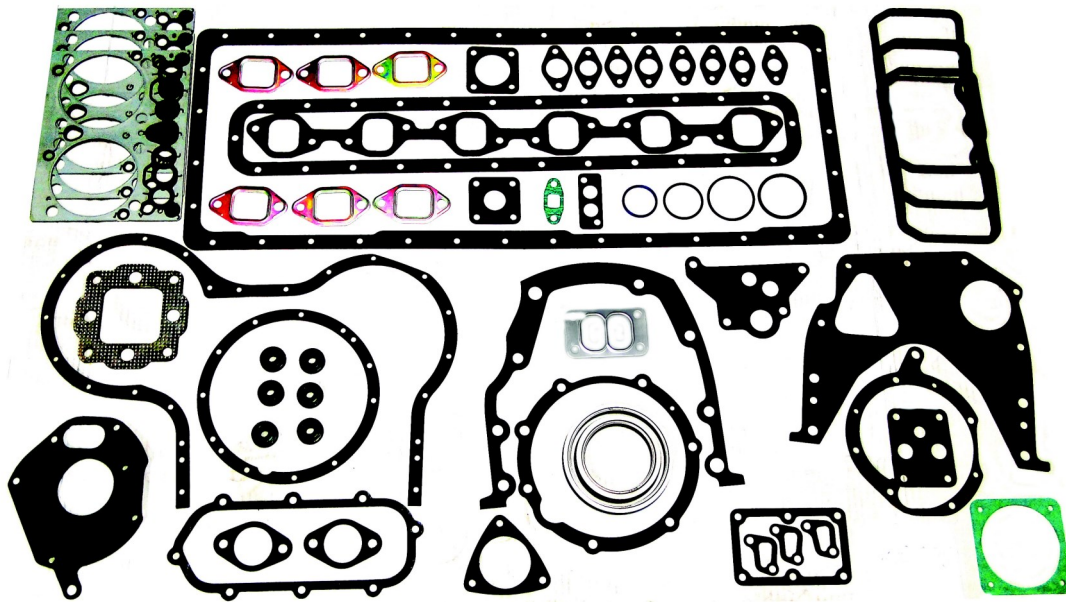
**PM KIT 5 OVERHAUL 661031**

NO IMAGE AVAILABLE

661031-01

PM KIT #	PART NUMBER	DESCRIPTION	QTY	NOTES
5	610185	OIL FILTER	1	
5	610344	SPARK PLUGS	6	
5	53000042	IGNITION COIL WITH BOOTS	6	
5	53000025	BELT	2	
5	106457	CCV FILTER	1	
5	32501267	O2SENSOR	1	
5	610268	WATER PUMP	1	
5	612500	THERMOSTAT (181F 83C)	1	
5	610161	OIL PUMP	1	
5	660002	LINER KIT	6	
5	660001	TOP GASKET KIT	1	
5	660000	CYLINDER HEAD KIT	3	
<b>OPTIONAL PARTS NOT INCLUDED</b>				
	53000016	ALTERNATOR	1	
	58010809	TURBOCHARGER	1	
	32501671	EPR	1	
	32501690	MIXER	1	
	33500772	AIR FILTER	1	

**SERVICE KIT A COMPLETE GASKET(PER ENGINE) 600008**



600008-01

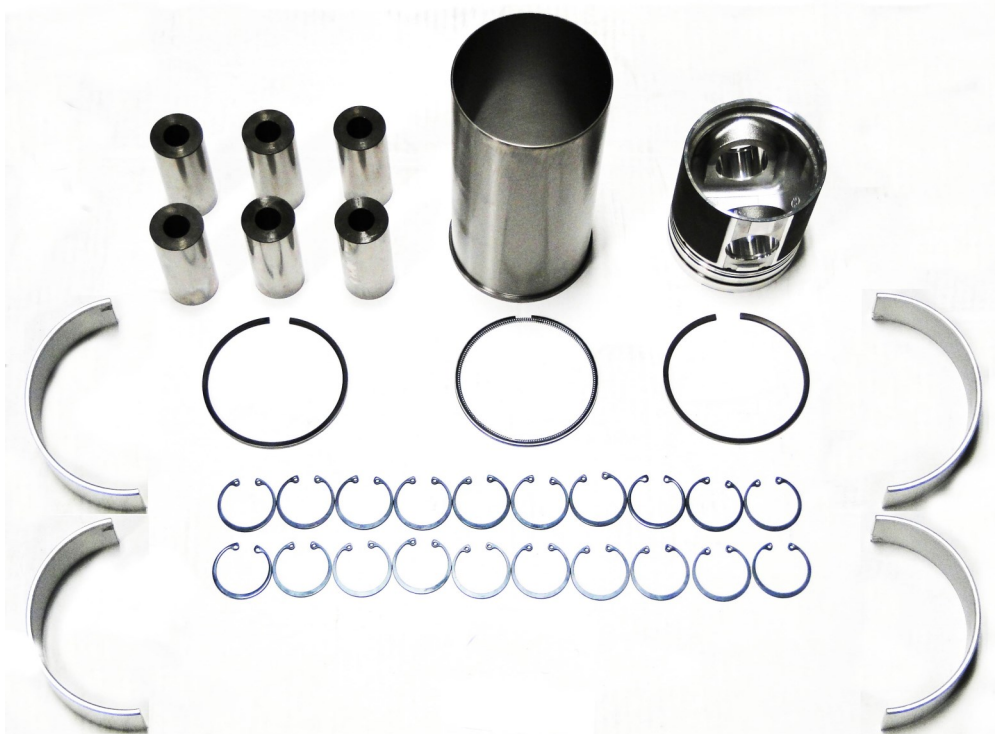
SVC KIT #	PART NUMBER	DESCRIPTION	QTY	NOTES
A	610012	END COVER GASKET	1	
A	610025	TIMING GEAR CAST GASKET	1	
A	610031	TIMING GEAR CAST GASKET	1	
A	610035	OIL SEAL	1	
A	610036	TIMING GEAR CAST GASKET	1	
A	610044	FLYWHEEL HOUSING GASKET	1	
A	610051	OIL SEAL	1	
A	610055	OIL COOLER GASKET	1	
A	610112	CYLINDER HEAD GASKET	3	
A	610116	VALVE COVER GASKET	3	
A	610119	SEAL BOLT	6	
A	610195	OIL FILTER GASKET	1	
A	610207	FLAHEAVY-DUTY GASKET	2	
A	610212	FLAHEAVY-DUTY GASKET	1	
A	610213	OIL COOLER COVER GASKET	1	
A	610217	OIL COOLER HOUSING GASKET	1	
A	610218	GASKET	1	

SPEC N. :  
REV. DATE:12APR16

**SERVICE KIT A COMPLETE GASKET CONT. 600008**

SVC KIT #	PART NUMBER	DESCRIPTION	QTY	NOTES
A	610226	OIL PAN GASKET	1	
A	610228	OIL PIPE FLAHEAVY-DUTY GASKET	1	
A	610233	OIL SUTION PIPE GASKET	1	
A	610234	CONNECTING FLAHEAVY-DUTY GASKET	1	
A	610237	OIL PIPE GASKET	4	
A	610242	WATER PIPE GASKET	3	
A	610261	THERMOSTAT O-RING	1	
A	610262	THERMOSTAT GASKET	1	
A	610263	EXHAUST FLAHEAVY-DUTY GASKET	1	
A	610275	WATER PUMP GASKET	1	
A	610279	WATER PUMP GASKET	1	
A	610286	EXHAUST MANIFOLD GASKET	6	
A	610291	EXHAUST MANIFOLD COVER GASKET	1	
A	610263	EXHAUST FLAMGE GASKET	1	
A	610298	O-RING	1	
A	610302	INTAKE MANIFOLD GASKET	1	
A	610322	INJECTION PUMP MOUNTING GASKET	1	
A	53500028	GASKET	1	
A	53500035	GASKET	1	
A	33500805	CATALYST MUFFLER GASKET	2	NO IMAGE
A	52500064	ADAPTER GASKET	1	
A	32500715	THROTTLE BODY GASKET	1	
A	52500047	T/B ADAPTER GASKET	1	
A	33500282	OIL DRAIN GASKET	1	NO IMAGE
A	33500281	TURBO EXHAUST GASKET	1	NO IMAGE

**SERVICE KIT B LINER (PER CYLINDER) 660002**



660002-01

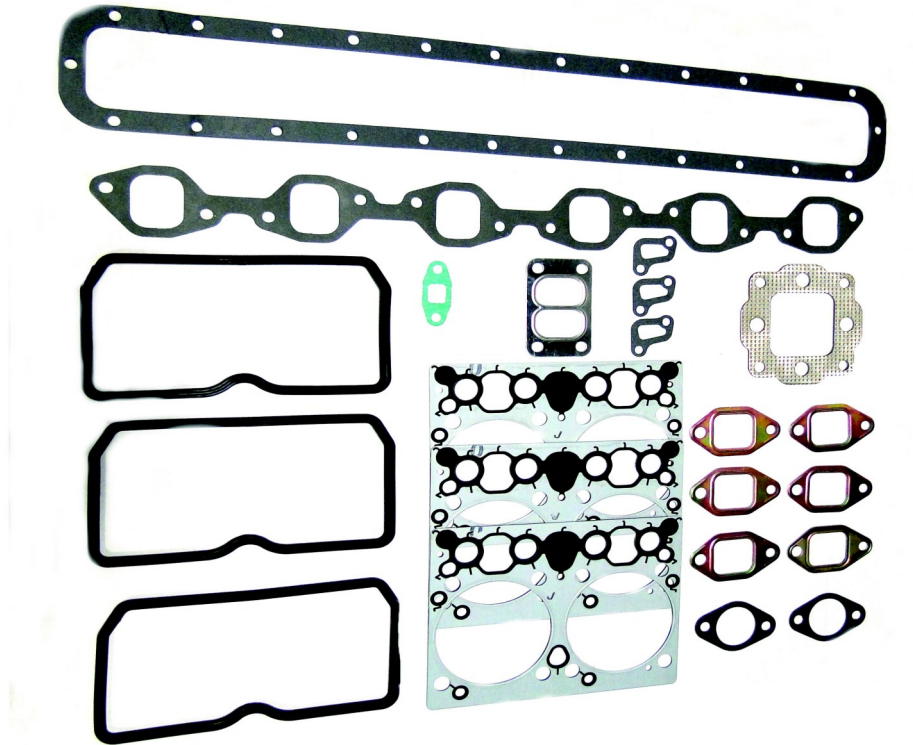
SVC KIT #	PART NUMBER	DESCRIPTION	QTY	NOTES
B	610009	CYLINDER LINER	1	
B	610090	CONNECTING ROD BEARING	1	
B	610095	PISTON	1	
B	610096	TOP RING	1	
B	610097	2ND RING	1	
B	610098	OIL RING	1	
B	610099	PISTON PIN	1	
B	612029	SNAP RING	2	

SPEC N. :  
REV. DATE:12APR16

Page 12

Power Solutions International  
201 Mittel Dr., Wood Dale, IL 60191 | Te. +10 630 350 9400 | Fax. +1 630 350 9588  
Web: www.psiengines.com | email: parts@psiengines.com

**SERVICE KIT C TOP GASKET (PER ENGINE) 660002**



660001-01

SVC KIT #	PART NUMBER	DESCRIPTION	QTY	NOTES
C	610055	OIL COOLER GASKET	1	
C	610112	CYLINDER HEAD GASKET	3	
C	610116	VALVE COVER GASKET	3	
C	610302	INTAKE MANIFOLD GASKET	1	
C	610286	EXHAUST GASKET	6	
C	610263	WATER TUBE GASKET	1	
C	610242	WATER TUBE GASKET	1	
C	53500035	TURBO GASKETGASKET	1	

**SERVICE KIT D CYLINDER HEAD (PER CYLINDER) 660000**

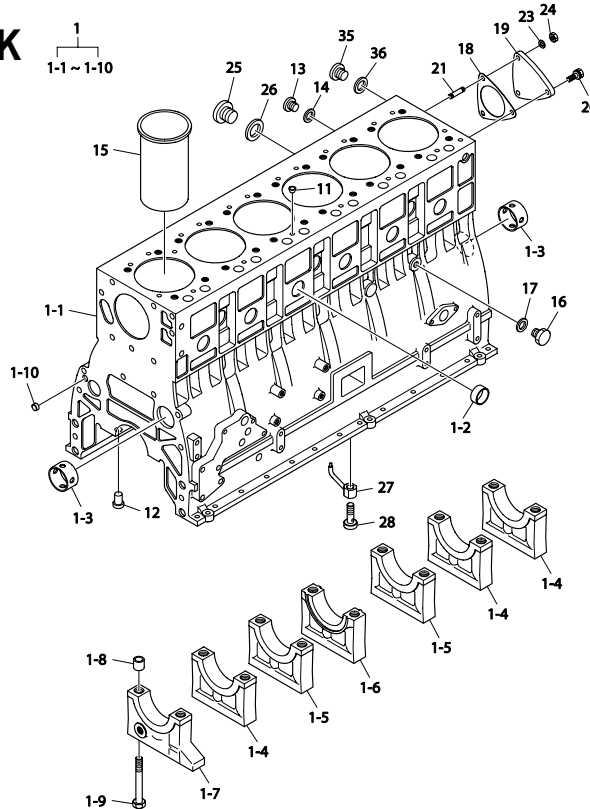


660000-01

SVC KIT #	PART NUMBER	DESCRIPTION	QTY	NOTES
D	612122	VALVE GUIDE	4	
D	610108	EXHAUST VALVE SEAT	2	
D	610109	INTAKE VALVE SEAT	2	
D	610121	INTAKE VALVE	2	
D	610122	EXHAUST VALVE	2	
D	610124	EXHAUST VALVE SPRING	2	
D	610129	INTAKE VALVE SPRING	2	
D	610131	RETAINER	4	
D	610132	VALVE SPRING SEAT	4	
D	610133	KEEPER	8	
D	610134	VALVE STEM SEAL	4	

SPEC N. :  
REV. DATE:12APR16

**CYLINDER BLOCK**



ZBOM8L-1000

POS.	PART NUMBER	DESCRIPTION	QTY	NOTES
1	NSS	CYLINDER BLOCK ASSEMBLY	1	
1-1	NSS	CYLINDER BLOCK	1	
1-2	610000	CORE PLUG	9	
1-3	610001	CAMSHAFT BUSHING	4	
1-4	NSS	BEARING CAP 1	3	
1-5	NSS	BEARING CAP 3	2	
1-6	NSS	BEARING CAP 4	1	
1-7	NSS	BEARING CAP 7	1	
1-8	NSS	RING	14	
1-9	NSS	BOLT	14	
10	610003	BOLT, BEARING CAP	2	
11	610004	PLUG, CORE	2	
12	611203	PLUG, HEAD	10	
13	610006	PLUG	2	
14	610007	PLUG	2	
15	610008	SEAL, RING	6	IN KIT B
16	610009	LINER, CYLINDER	1	
	NSS =	NOT SOLD SEPERATELY		

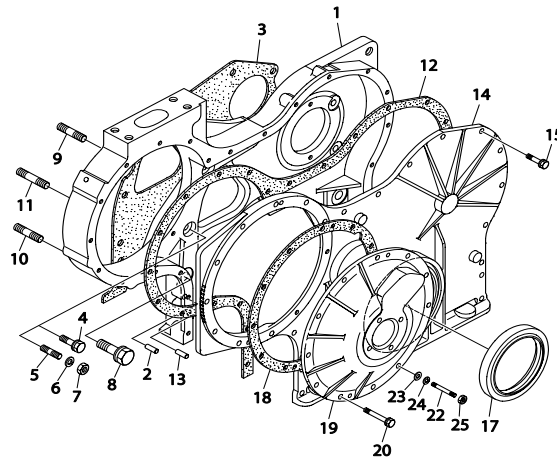
SPEC N. :  
REV. DATE: 12APR16

**CYLINDER BLOCK CONT.**

POS.	PART NUMBER	DESCRIPTION	QTY	NOTES
17	610011	SEAL, RING	1	
18	610012	GASKET, REAR	1	IN KIT A
19	610013	COVER, END	1	
20	610014	BOLT	2	
21	610015	BOLT, STUD	1	
23	610016	WASHER, SPRING	1	
24	610017	NUT, HEX	1	
25	610018	SCREW, CYL PLUG	1	
26	610019	SEAL, RING	1	
27	610020	NOZZLE, OIL	6	
28	610021	VALVE, RELIEF	6	
35	610022	PLUG, SCREW	1	
36	610011	SEAL, RING	1	



## TIMING GEAR CASE



ZBOM8L-1001

POS.	PART NUMBER	DESCRIPTION	QTY	NOTES
1	610023	CASE, T/GEAR	1	
2	610024	PIN, DOWEL	2	
3	610025	GASKET, TIMING GEAR CASE	1	IN KIT A
4	612501	BOLT, HEX	5	
5	610015	BOLT, STUD	1	
6	610016	WASHER, SPRING	1	
7	610017	NUT, HEX	1	
8	610027	BOLT	4	
9	610028	BOLT, STUD	1	
10	610029	BOLT, STUD	4	
11	610030	BOLT, STUD	2	
12	610031	GASKET, TIMING COVER	1	IN KIT A

SPEC N. :  
REV. DATE:12APR16

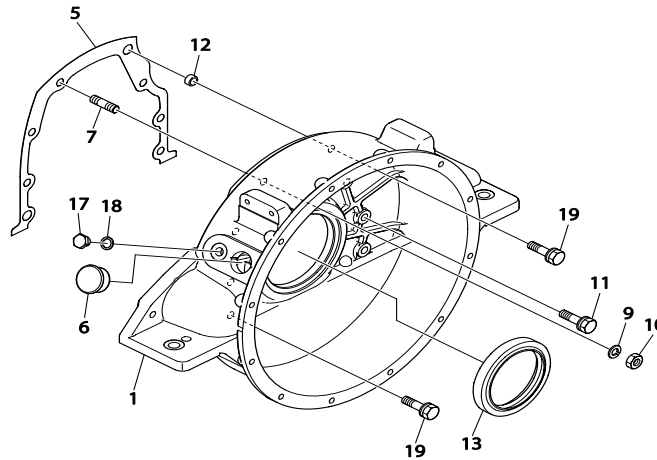
Page 17

Power Solutions International  
201 Mittel Dr., Wood Dale, IL 60191 | Te. +10 630 350 9400 | Fax. +1 630 350 9588  
Web: www.psiengines.com | email: parts@psiengines.com

**TIMING GEAR CASE CONT.**

POS.	PART NUMBER	DESCRIPTION	QTY	NOTES
13	610032	PIN, DOWEL	2	
14	610033	COVER, T/GEAR	1	
15	610034	BOLT	13	
17	610035	SEAL, OIL (FRONT)	1	IN KIT A
18	610036	GASKET, TIMING COVER	1	IN KIT A
19	610037	COVER, T/GEAR	1	
20	610038	BOLT	9	
22	610039	BOLT,STUD	2	
23	610040	WASHER	2	
24	610041	WASHER, SPRING	2	
25	610042	NUT, HEX	2	

## FLYWHEEL HOUSING



ZBOM8L-1002

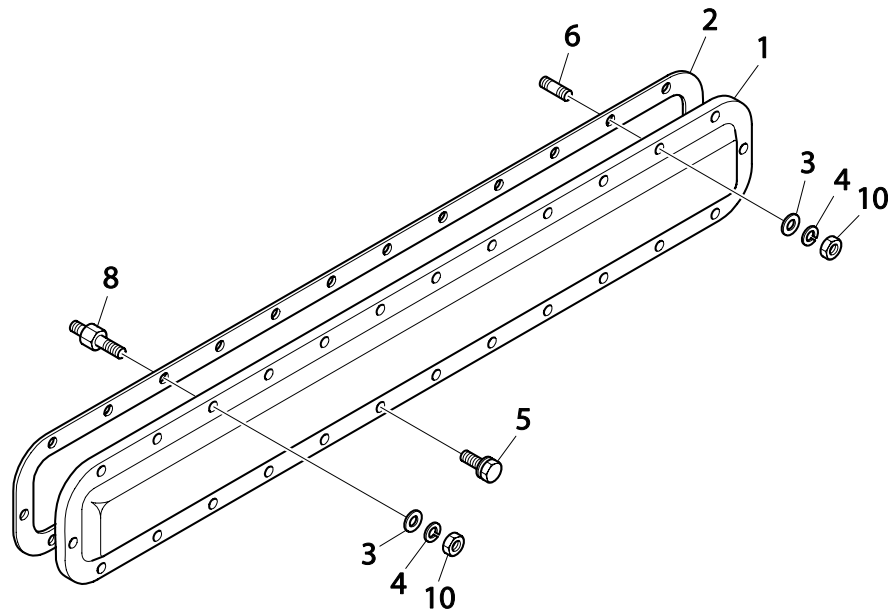
POS.	PART NUMBER	DESCRIPTION	QTY	NOTES
1	610043	HOUSING, FLYWHEEL	1	
5	610044	GASKET, F/W HOUSING	1	IN KIT A
6	610045	PLUG, RUMMBER	1	
7	610046	BOLT, STUD	1	
9	610047	WASHER, SPRING	1	
1	610048	NUT, HEX	1	
11	610049	BOLT, HEX	5	
12	610050	RING, STOP	2	
13	610051	SEAL, OIL	1	IN KIT A
17	610052	SCREW, PLUG	1	
18	610019	SCREW, CYL PLUG	1	
19	610053	BOLT	2	

 SPEC N. :  
 REV. DATE:12APR16

Page 19

**Power Solutions International**  
 201 Mittel Dr., Wood Dale, IL 60191 | Te. +10 630 350 9400 | Fax. +1 630 350 9588  
 Web: www.psiengines.com | email: parts@psiengines.com

## WATER CHAMBER COVER



ZBOM8L-1003

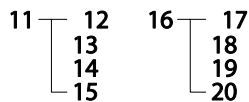
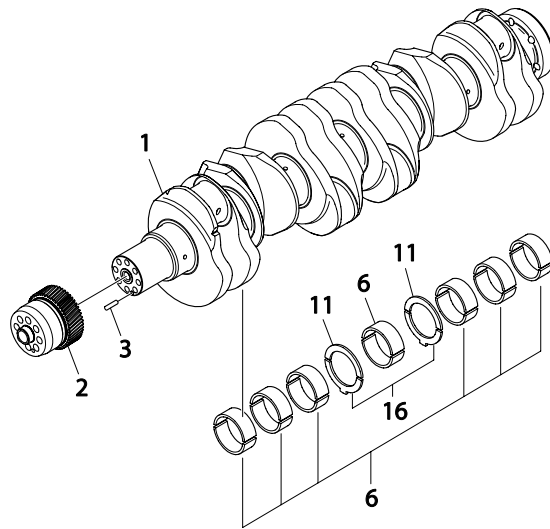
POS.	PART NUMBER	DESCRIPTION	QTY	NOTES
1	610054	COVER, WATER CHAMBER	1	
2	610055	GASKET, WATER CHAMBER	1	IN KIT A,C
3	610056	WASHER	12	
4	610016	WASHER, SPRING	12	
5	610057	BOLT	14	
6	610058	BOLT, STUD	10	
8	610059	BOLT, SPACER	2	
10	610017	NUT, HEX	12	

SPEC N. :  
REV. DATE:12APR16

Page 20

Power Solutions International  
201 Mittel Dr., Wood Dale, IL 60191 | Te. +10 630 350 9400 | Fax. +1 630 350 9588  
Web: www.psiengines.com | email: parts@psiengines.com

# CRANKSHAFT

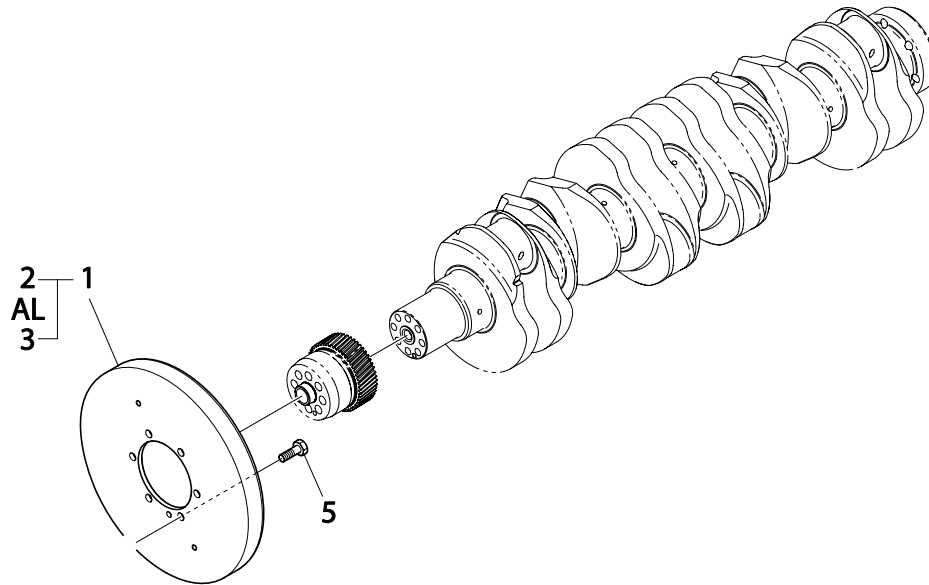


ZBOM8L-1004

POS.	PART NUMBER	DESCRIPTION	QTY	NOTES
1	610063	CRANKSHAFT	1	
2	610064	GEAR, CRANKSHAFT	1	
3	610065	PIN, DOWELL	1	
6	610066	BEARING, MAIN	7	
11	610067	BEARING, THRUST (UPPER STD)	2	
12	610068	BEARING, THRUST (UPPER .25)	1	
16	610069	BEARING, THRUST (UPPER .50)	1	
14	610070	BEARING, THRUST (UPPER .75)	1	
15	610071	BEARING, THRUST (UPPER 1.0)	1	
16	610072	BEARING, THRUST (LOWER STD)	2	
17	610073	BEARING, THRUST (LOWER .25)	1	
18	610074	BEARING, THRUST (LOWER .50)	1	
19	610075	BEARING, THRUST (LOWER .75)	1	
20	610076	BEARING, THRUST (LOWER 1.0)	1	

SPEC N. :  
REV. DATE:12APR16

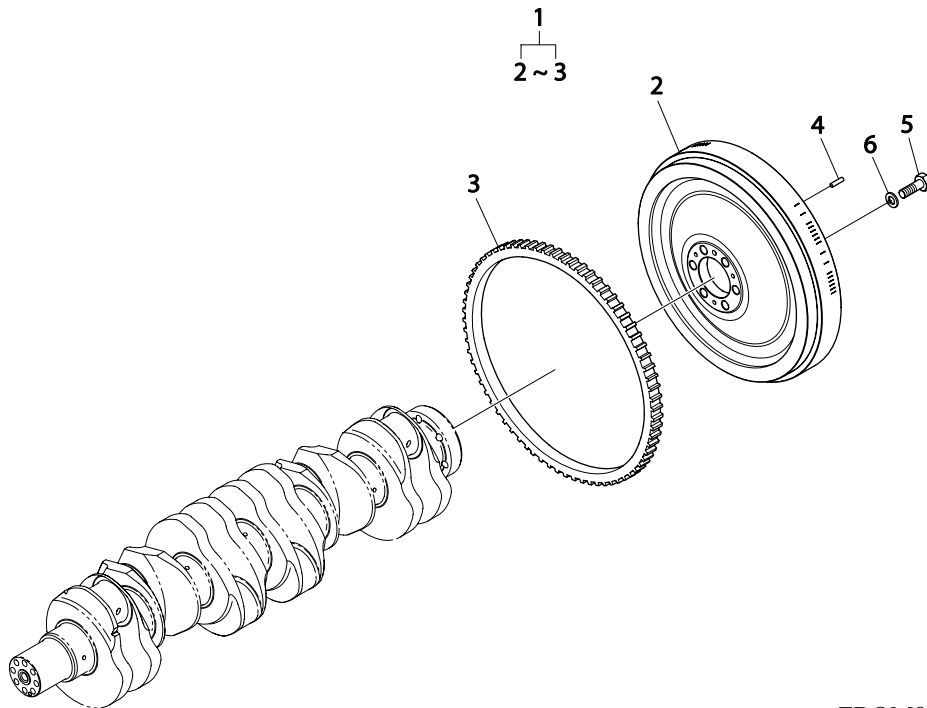
**VIBRATION DAMPER**



ZBOM8L-1005

POS.	PART NUMBER	DESCRIPTION	QTY	NOTES
1	610077	DAMPER	1	
5	610080	BOLT, HEX	6	

**FLYWHEEL**



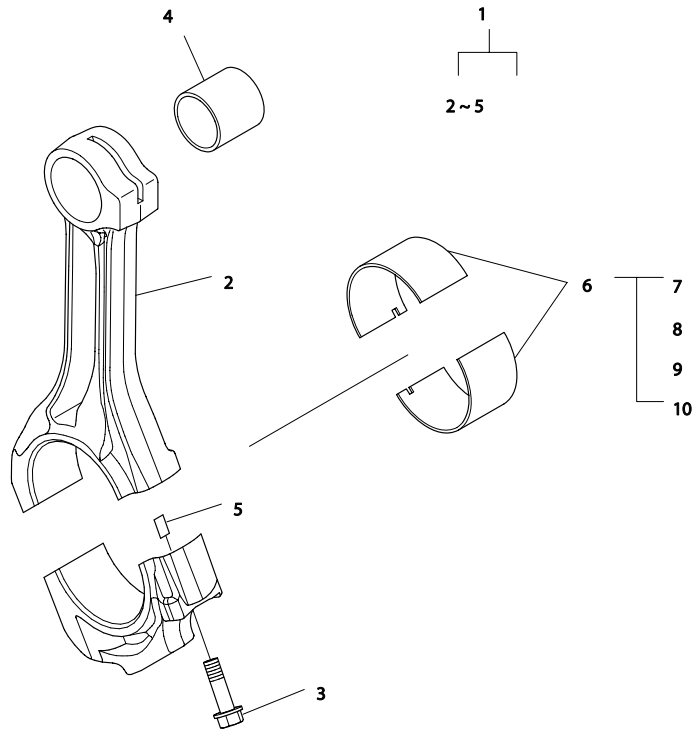
ZBOM8L-1006

POS.	PART NUMBER	DESCRIPTION	QTY	NOTES
1	612090	FLYWHEEL ASSEMBLY	1	
2	NSS	FLYWHEEL	1	PART OF 1
3	610082	GEAR, RING	1	
4	612487	PIN, DOWEL	1	
5	612352	BOLT, HEX	6	
6	610085	WASHER, SPRING	6	

SPEC N. :  
REV. DATE:12APR16

Page 23

**CONNECTING ROD**

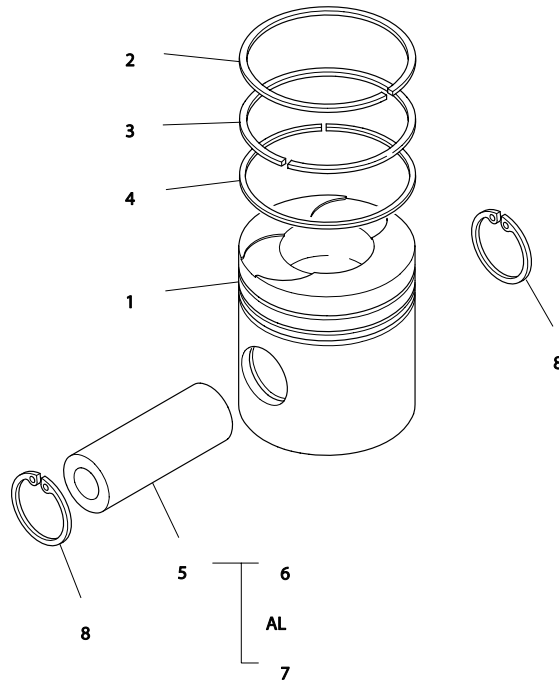


ZBOM8L-1007

POS.	PART NUMBER	DESCRIPTION	QTY	NOTES
1	610086	ROD, CONNECTING (ASSY)	6	
2	NSS	ROD, CONNECTING	1	
3	610087	BOLT, C/ROD	12	
4	612202	BUSHING, C/ROD	16	
5	610089	PIN, DOWEL	12	
6	610090	BEARING, C/ROD (STD)	6	IN KIT B
7	610091	BEARING, C/ROD (.25)	16	
8	610092	BEARING, C/ROD (.50)	16	
9	610093	BEARING, C/ROD (.75)	16	
10	610094	BEARING, C/ROD (1.0)	16	
	NSS =	NOT SOLD SEPERATELY		



**PISTON**

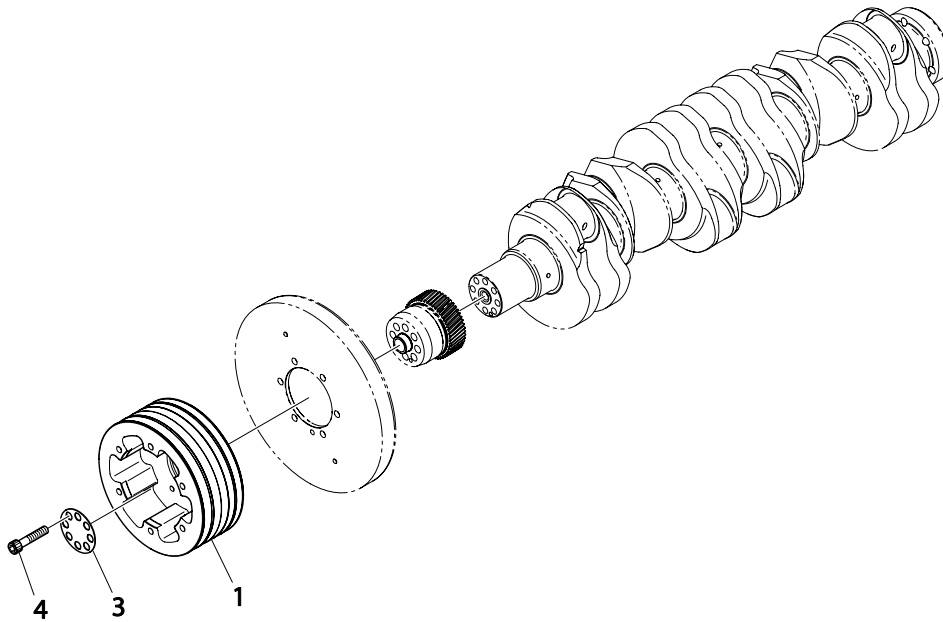


ZBOM8L-1008

POS.	PART NUMBER	DESCRIPTION	QTY	NOTES
1	610095	PISTON	6	IN KIT B
2	NSS	RING, TOP-PISTON	6	IN KIT B
3	NSS	RING, 2ND PISTON	6	IN KIT B
4	NSS	RING, OIL	6	IN KIT B
5	610099	PIN, PISTON	6	IN KIT B
8	612029	RING, SNAP	12	IN KIT B
*	612110	RING KIT, PISTON	1	INCLUDES 2,3,4,

SPEC N. :  
REV. DATE:12APR16

## CRANKSHAFT PULLEY



ZBOM8L-1009

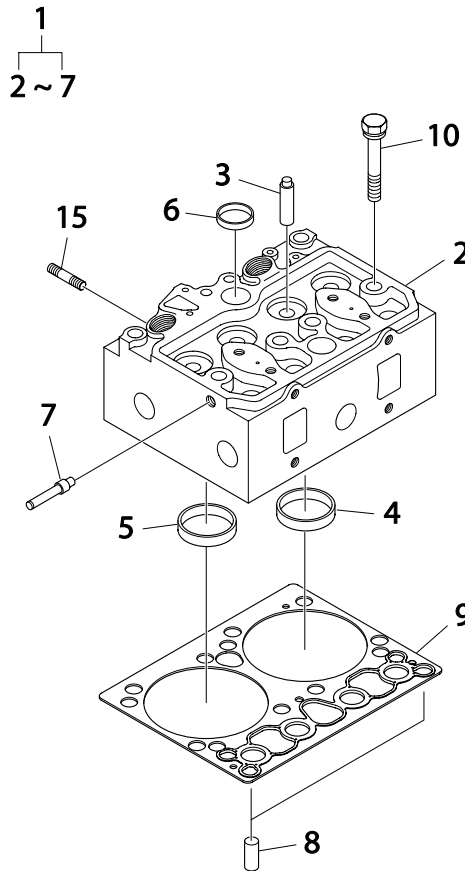
POS.	PART NUMBER	DESCRIPTION	QTY	NOTES
1	50100017	PULLEY, CRANK	1	
3	610104	WASHER	1	
4	610105	BOLT	8	

SPEC N. :  
REV. DATE:12APR16

Page 26

Power Solutions International  
201 Mittel Dr., Wood Dale, IL 60191 | Te. +10 630 350 9400 | Fax. +1 630 350 9588  
Web: www.psiengines.com | email: parts@psiengines.com

**CYLINDER HEAD**

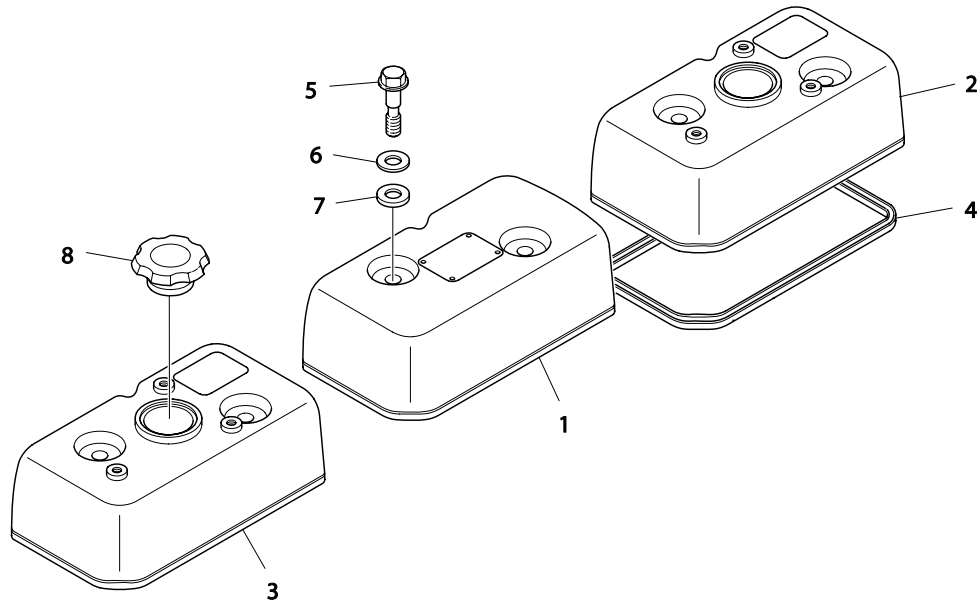


ZBOM8L-1010

POS.	PART NUMBER	DESCRIPTION	QTY	NOTES
1	612486	HEAD, CYLINDER	3	COMPLETE ASSY
1	612486-HDA	HEAD, CYLINDER	1	COMPLETE ASSY
3	612124	GUIDE VALVE	4	IN KIT D
4	610108	SEAT, EXH VALVE	2	IN KIT D
5	610109	SEAT, INT VALVE	2	IN KIT D
6	610110	PLUG, CORE	7	
7	611023	PLUG, HEAD	2	
8	612489	PIN, DOWELL	6	
9	610112	GASKET, CYL HEAD	3	IN KIT A,C
10	610113	BOLT, CYLINDER HEAD	24	
15	610029	BOLT, STUD	2	

SPEC N. :  
REV. DATE:12APR16

## CYLINDER HEAD COVER



ZBOM8L-1011

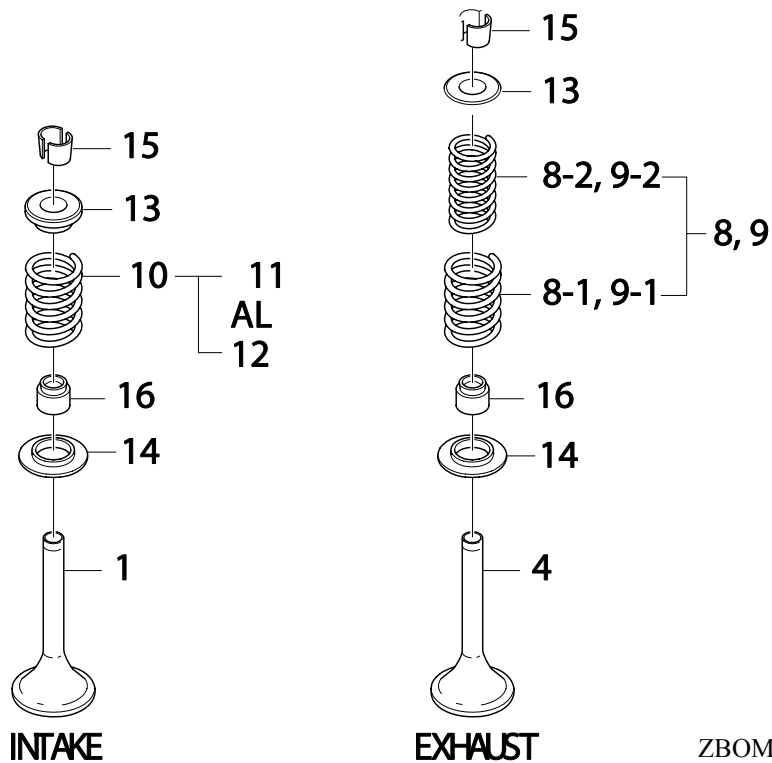
POS.	PART NUMBER	DESCRIPTION	QTY	NOTES
1	610780	COVER, CYL HEAD	1	
2	610114	COVER, CYL HEAD	1	
3	610115	COVER, CYL HEAD	1	
4	610116	GASKET, V/COVER	3	IN KIT A,C,1,2,3
5	610117	BOLT	6	
6	610118	WASHER	6	
7	610119	SEAL	6	IN KIT A
8	610120	CAP, OIL	1	

SPEC N. :  
REV. DATE:12APR16

Page 28

Power Solutions International  
201 Mittel Dr., Wood Dale, IL 60191 | Te. +10 630 350 9400 | Fax. +1 630 350 9588  
Web: www.psiengines.com | email: parts@psiengines.com

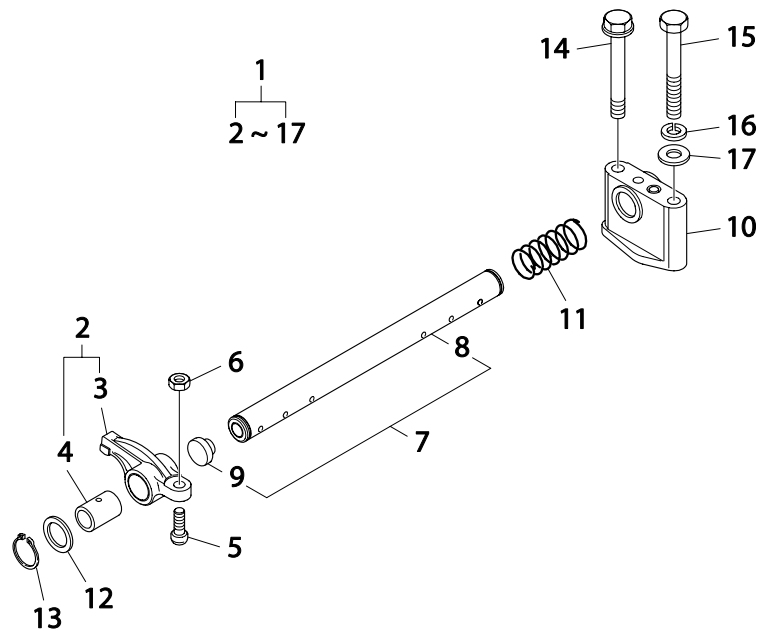
**VALVES**



ZBOM8L-1012

POS.	PART NUMBER	DESCRIPTION	QTY	NOTES
1	610121	VALVE, INTAKE	6	IN KIT D
4	610122	VALVE, EXHAUST	6	IN KIT D
8	610124	SPRING, VALVE	6	IN KIT D
8-1	610125	SPRING, EXHAUST VALVE	6	
8-2	610126	SPRING, EXHAUST VALVE	6	
11	610129	SPRING, INTAKE VALVE	6	IN KIT D
13	610131	RETAINER VALVE SPRING	12	IN KIT D
14	610132	SEAT, VALVE SPRING	12	IN KIT D
15	610133	KEEPER	24	IN KIT D
16	610134	SEAL, VALVE STEM	12	IN KIT D

## ROCKER ARM



ZBOM8L-1013

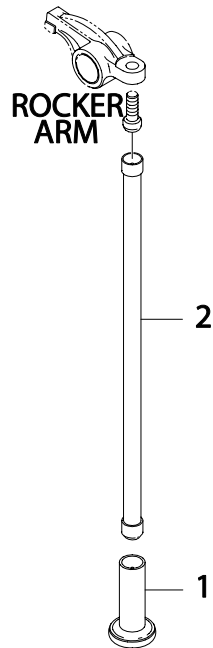
POS.	PART NUMBER	DESCRIPTION	QTY	NOTES
1	610135	SHAFT, ROCKER ARM	3	
2	610136	ARM, ROCKER (ASSY)	4	
3	NSS	ARM, ROCKER	1	
4	611113	BUSHING	1	
5	610137	SCREW, ADJUST	4	
6	611083	NUT, HEX	4	
7	610138	SHAFT, ROCKER ARM	1	
8	NSS	SHAFT, ROCKER ARM	1	
9	610139	PLUG, CORE	2	
10	610140	BRACKET, ROCKER ARM	2	
11	610141	SPRING, COMPRESS	1	
12	610142	WASHER	2	
13	610143	RING, SNAP	2	
14	612490	BOLT	2	
15	610145	BOLT, HEX	2	
16	610146	WASHER, SPRING	2	
17	610147	WASHER, PLAIN	2	
*	NSS =	NOT SOLD SEPERATELY		

SPEC N. :  
REV. DATE:12APR16

Page 30

Power Solutions International  
201 Mittel Dr., Wood Dale, IL 60191 | Te. +10 630 350 9400 | Fax. +1 630 350 9588  
Web: www.psiengines.com | email: parts@psiengines.com

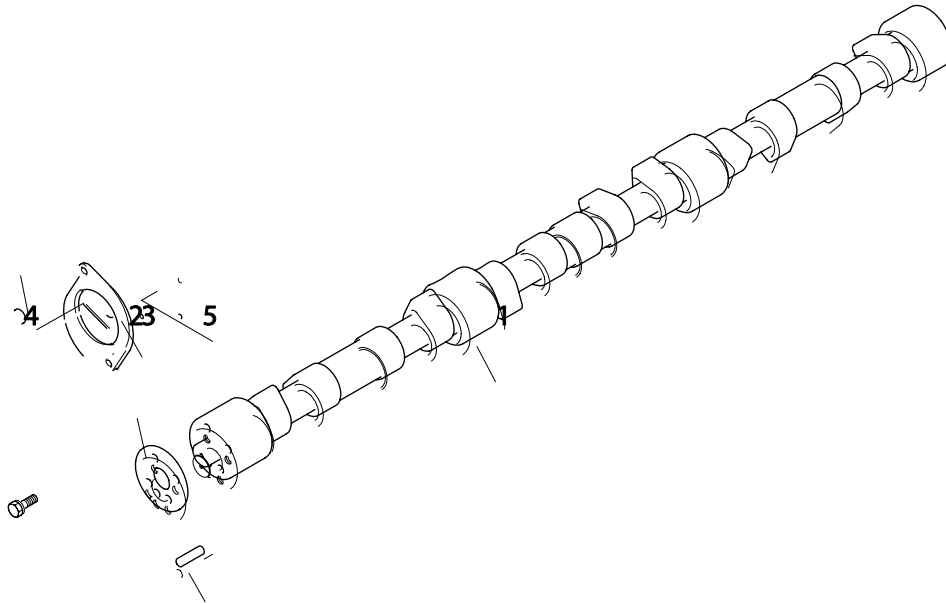
**VALVE TAPPET AND PUSH ROD**



ZBOM8L-1014

POS.	PART NUMBER	DESCRIPTION	QTY	NOTES
1	610148	TAPPET	12	
2	612152	PUSH ROD	12	

# CAMSHAFT



ZBOM8L-1015

POS.	PART NUMBER	DESCRIPTION	QTY	NOTES
1	612153	CAMSHAFT	1	
2	610151	WASHER, THRUST	1	
3	610152	FLANGE	1	
4	610153	BOLT	2	
5	610154	PIN, DOWELL	1	

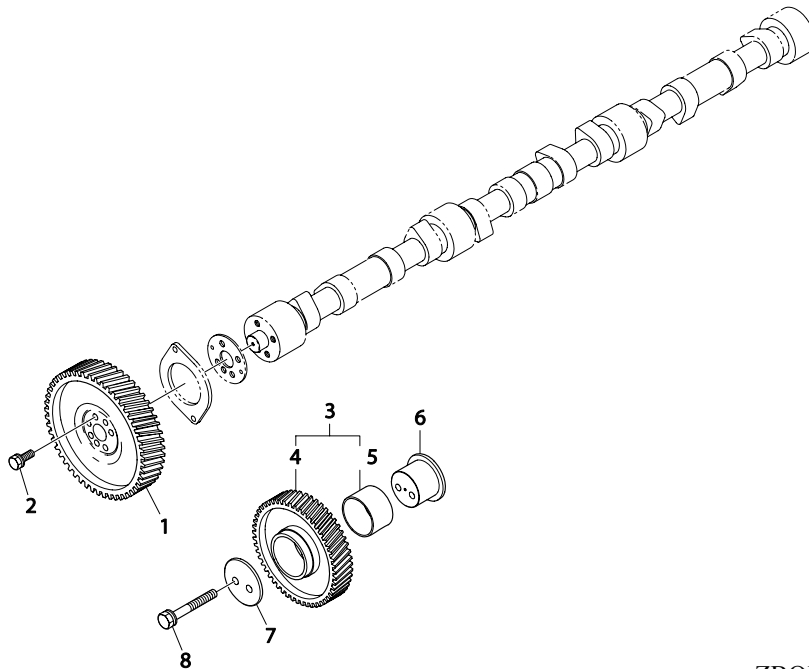
SPEC N. :  
REV. DATE:12APR16

Page 32

Power Solutions International  
201 Mittel Dr., Wood Dale, IL 60191 | Te. +10 630 350 9400 | Fax. +1 630 350 9588  
Web: www.psiengines.com | email: parts@psiengines.com



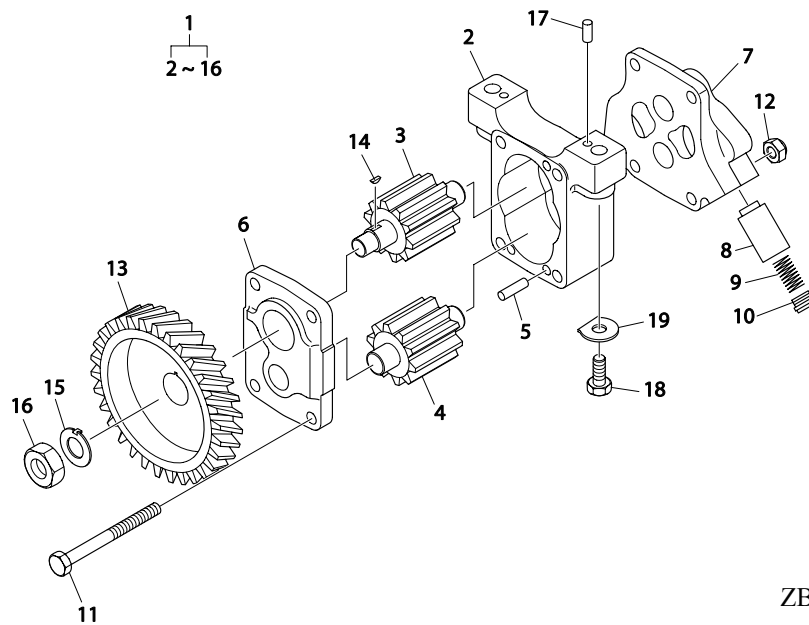
## CAMSHAFT DRIVE



ZBOM8L-1016

POS.	PART NUMBER	DESCRIPTION	QTY	NOTES
1	610155	GEAR, CAMSHAFT	1	
2	610156	BOLT	4	
3	610157	GEAR, IDLER	1	
4	NSS	GEAR	1	PART OF #3
5	610159	PIN, IDLER GEAR	1	
6	610847	WASHER, THRUST	1	
7	611093	BOLT	1	
8	610160	BOLT ASSEMBLY	2	
	NSS =	NOT SOLD SEPERATELY		

**OIL PUMP**

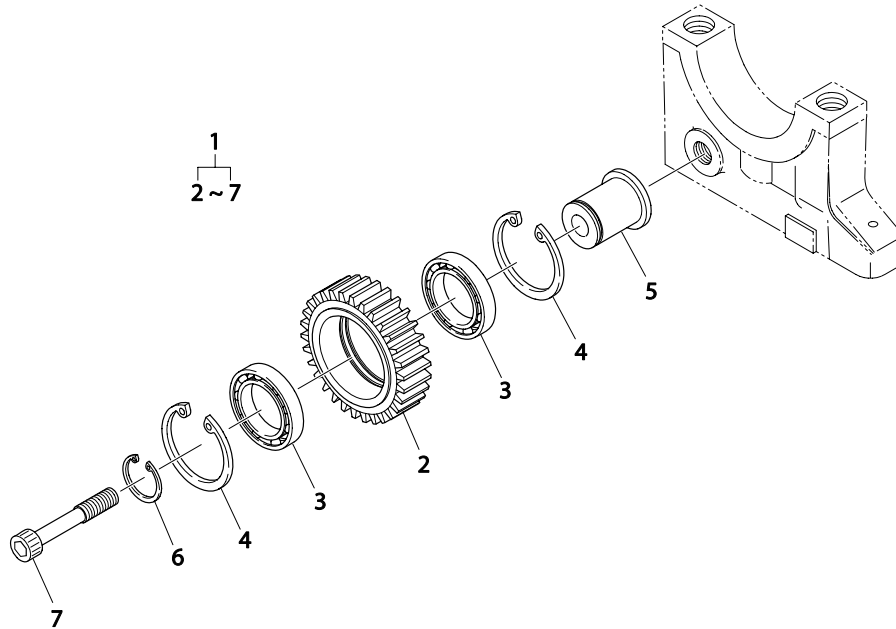


ZBOM8L-1017

POS.	PART NUMBER	DESCRIPTION	QTY	NOTES
1	610161	PUMP, OIL	1	
2	NSS	HOUSING	1	
3	610162	GEAR, OIL PUMP	1	
4	610163	GEAR, OIL PUMP	1	
5	612489	PIN, DOWELL	1	
6	610165	PUMP, OIL	1	
7	610166	COVER, OIL PUMP	1	
8	610167	VALVE, PLUNGER	1	
9	610168	SPRING, COMPRESS	1	
10	610169	PLUG, SCREW	1	
11	610170	BOLT	4	
12	610171	NUT	4	
13	610172	GEAR, OIL PUMP DRIVE	1	
14	610173	KEY, WOODRUFF	1	
15	610174	WASHER, LOCK	1	
16	610175	NUT, HEX	1	
17	610032	PIN, DOWEL	2	
18	610176	BOLT, HEX	2	
19	610177	WASHER, LOCK	2	

SPEC N. :  
REV. DATE:12APR16

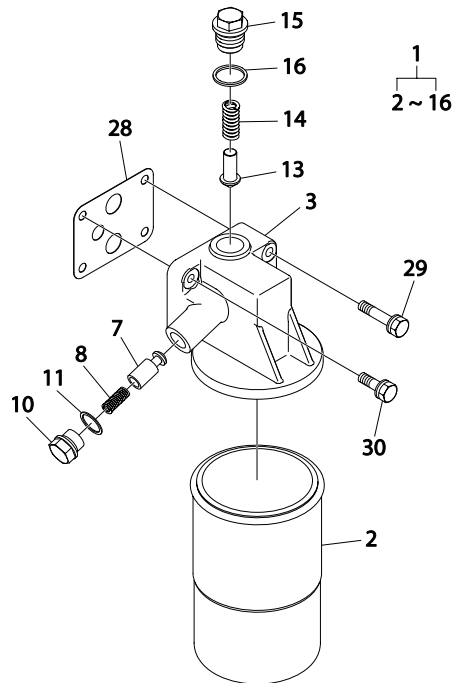
**OIL PUMP DRIVE**



ZBOM8L-1018

POS.	PART NUMBER	DESCRIPTION	QTY	NOTES
1	NSS	IDLE GEAR MOUNT *	1	SEE BELOW
2	610178	GEAR, IDLER	1	
3	610179	BEARING, BALL	2	
4	610180	RING, SNAP	2	
5	610181	PIN, IDLER GEAR	1	
6	610182	RING, SNAP	1	
7	610183	BOLT	1	
*	NSS =	NOT SOLD SEPERATELY		

**OIL FILTER**



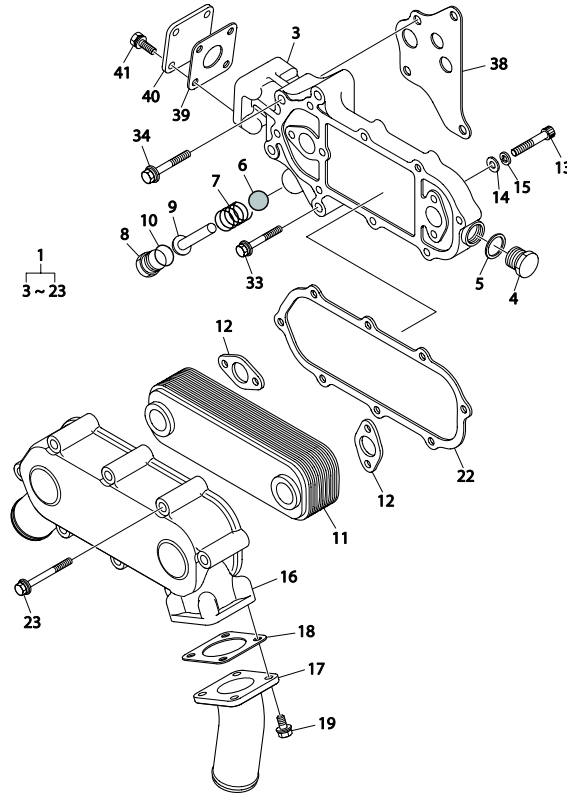
ZBOM8L-1019

POS.	PART NUMBER	DESCRIPTION	QTY	NOTES
1	610184	FILTER, OIL ASSY	1	
2	610185	FILTER, OIL	1	IN KIT 1,2,3,4,5
3	610186	FILTER OIL HEAD	1	
7	610187	VALVE, PLUNGER	1	
8	610188	SPRING, O/FILTER	1	
10	610189	PLUG SCREW	1	
11	610190	RING, SEAL	1	
13	610191	VALVE, PLUNGER	1	
14	610192	SPRING, O/FILTER	1	
15	610193	SCREW, PLUG	1	
16	610194	SEAL, RING	1	
28	610195	GASKET, O/FILTER	1	IN KIT A
29	610196	BOLT	2	
30	610197	BOLT	2	

SPEC N. :  
REV. DATE:12APR16

Page 36

**OIL COOLER**



ZBOM8L-1020

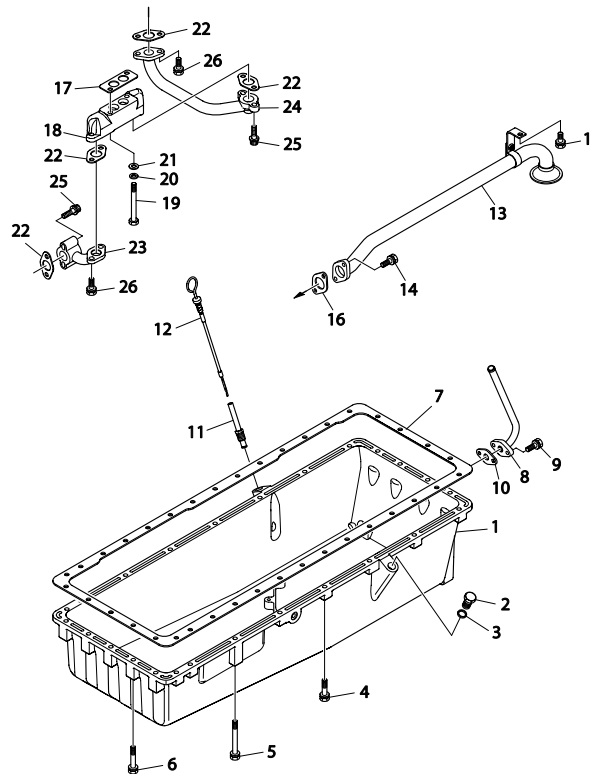
POS.	PART NUMBER	DESCRIPTION	QTY	NOTES
1	612164	COOLER, OIL	1	
3	610199	HOUSING, O/COOL	1	
4	610200	SCREW	1	
5	610201	SEAL, RING	1	
6	610202	BALL, STEEL	1	
7	610203	SPRING	1	
8	610204	SCREW, PLUG	1	
9	610205	PIN	1	
10	610206	SEAL, RING	1	
11	NSS	OIL COOLER ELEMENT	1	
12	610207	GASKET, FLANGE	2	IN KIT A
13	610208	BOLT, HEX	4	
14	610445	WASHER	4	
15	610209	WASHER, SPRING	4	
16	610210	COVER, E/COOLER	1	
17	610211	PIPE, WATER COOLING	1	
	NSS =	NOT SOLD SEPERATELY		

SPEC N. :  
REV. DATE:12APR16

**OIL COOLER CONT.**

POS.	PART NUMBER	DESCRIPTION	QTY	NOTES
18	610212	GASKET, FLANGE	1	IN KIT A
19	610404	BOLT	4	
22	610213	GASKET, O/COVER	1	
23	610214	BOLT	8	
33	610215	BOLT	2	
34	610216	BOLT	2	
35	610217	GASKET, O/C HSG	1	IN KIT A
39	610218	GASKET, O/COOLER	1	IN KIT A
40	610219	COVER, BLIND	1	
41	610220	BOLT	4	

**OIL PAN**



ZBOM8L-1021

POS.	PART NUMBER	DESCRIPTION	QTY	NOTES
1	610221	PAN, OIL	1	
2	610222	PLUG, SCREW	1	
3	610223	SEAL, RING	1	
4	610224	BOLT	15	
5	NSS	BOLT	1	
6	610225	BOLT	9	
7	610226	GASKET, OIL PAN	1	IN KIT A
8	610227	PIPE, OIL	1	
9	610014	BOLT	2	
10	610228	GASKET, OIL PIPE	1	IN KIT A
11	610229	TUBE, DIPSTICK	1	
12	610230	DIPSTICK	1	
13	610231	PIPE, OIL	1	
14	610026	BOLT, HEX	2	
15	610388	BOLT	1	
*	NSS =	NOT SOLD SEPERATELY		

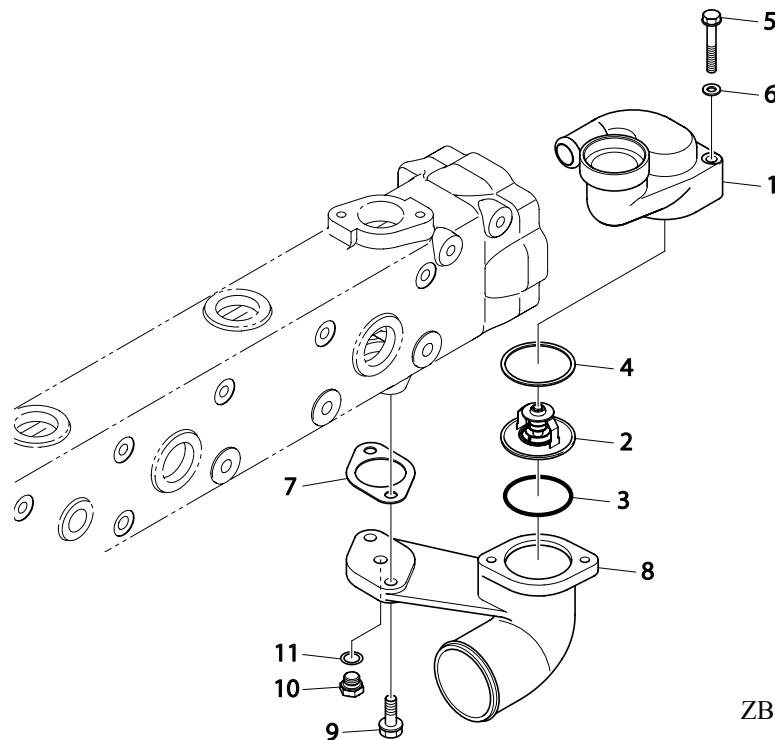
SPEC N. :  
REV. DATE:12APR16

**OIL PAN CONT.**

POS.	PART NUMBER	DESCRIPTION	QTY	NOTES
16	610233	GASKET, OIL PIPE	1	IN KIT A
17	610234	GASKET, CONNECT	1	IN KIT A
18	610235	FLANGE, CONNECT	1	
19	610236	BOLT	2	
20	610016	WASHER, SPRING	2	
21	610056	WASHER	2	
22	610237	GASKET, OIL PIPE	4	IN KIT A
23	610238	PIPE, OIL	1	
24	610239	PIPE, OIL	1	
25	610240	BOLT	4	
26	610062	BOLT	4	



**THERMOSTAT**

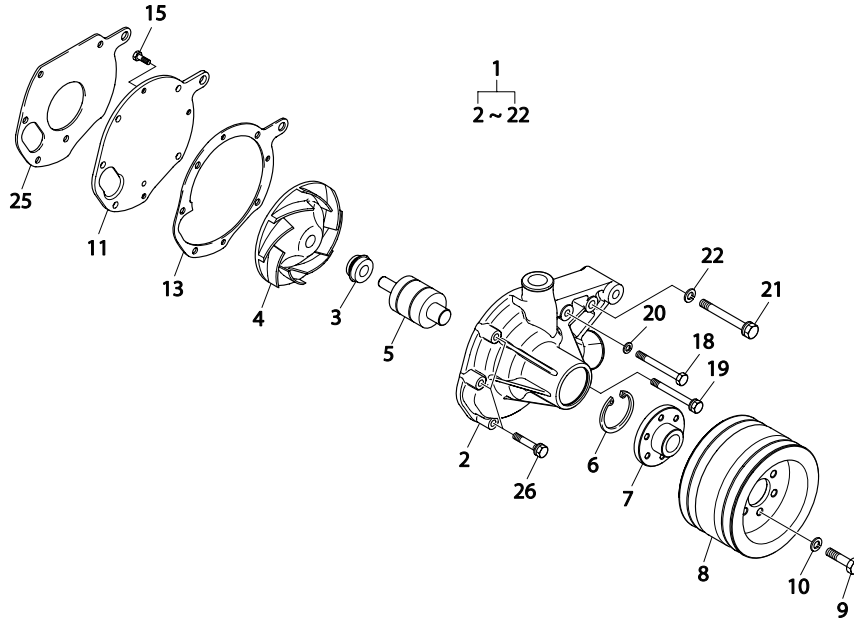


ZBOM8L-1022

POS.	PART NUMBER	DESCRIPTION	QTY	NOTES
1	610259	HOUSING, THERMOSTAT	1	
2	610260	THERMOSTAT (STD 160 DEG)	1	IN KIT 3,4
2	610937	THERMOSTAT (174 DEG)	1	IN KIT 3,4
2	612500	THERMOSTAT (181 DEG)	1	IN KIT 3,4
3	610261	O-RING	1	IN KIT A, 4
4	610262	GASKET, THERMOSTAT	1	IN KIT A, 4
5	610196	BOLT	2	
6	610056	WASHER	2	
7	610263	GASKET, E/FLANGE	1	IN KIT A
8	610264	PIPE, WATER COOLANT	1	
9	610265	BOLT	2	
10	610266	PLUG, SCREW	1	
11	610267	SEAL, RING	1	

SPEC N. :  
REV. DATE:12APR16

**WATER PUMP**

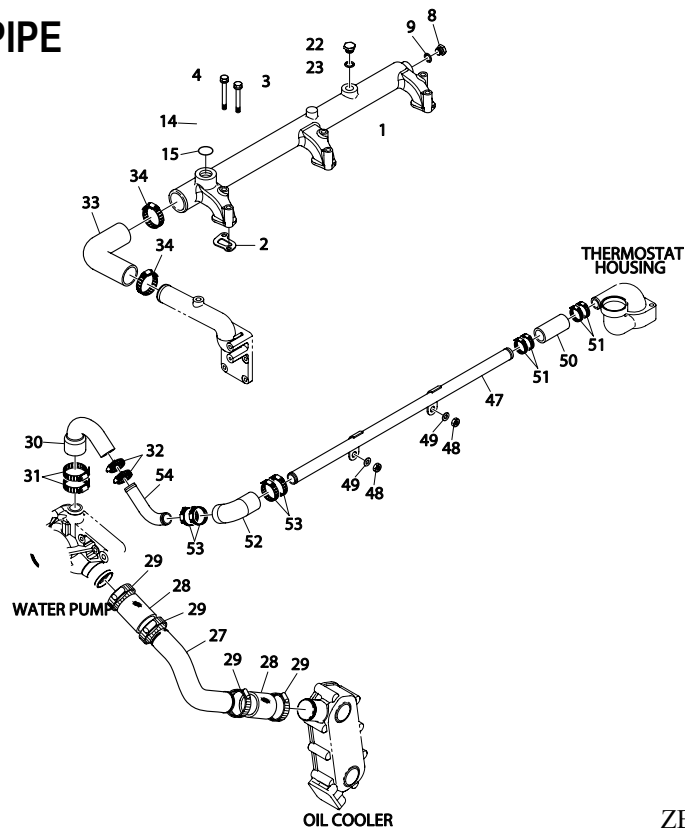


ZBOM8L-1023

POS.	PART NUMBER	DESCRIPTION	QTY	NOTES
1	610268	PUMP, WATER	1	IN KIT 3,4
2	NSS	HOUSING	1	
3	610269	SEAL, WATER PUMP	1	
4	610270	IMPELLER, W/PMP	1	
5	610271	BEARING, BALL	1	
6	610180	RING, SNAP	1	
7	610272	HUB, W/P PULLEY	1	
8	610273	PULLEY, V-BELT	1	
9	610401	BOLT, HEX	6	
10	610016	WASHER, SPRING	6	
11	610274	COVER, W/PUMP	1	
13	610275	GASKET, W/PUMP	1	IN KIT A
15	610431	BOLT, HEX	3	
18	610276	BOLT, HEX	1	
19	610277	BOLT	1	
20	610016	WASHER, SPRING	1	
21	610278	BOLT, HEX	1	
22	610146	WASHER, SPRING	1	
25	610279	GASKET, WATER PUMP	1	IN KIT A,4,5
26	610280	BOLT	3	
	NSS -	NOT SOLD SEPERATELY		

SPEC N. :  
REV. DATE:12APR16

**COOLING WATER PIPE**



ZBOM8L-1024

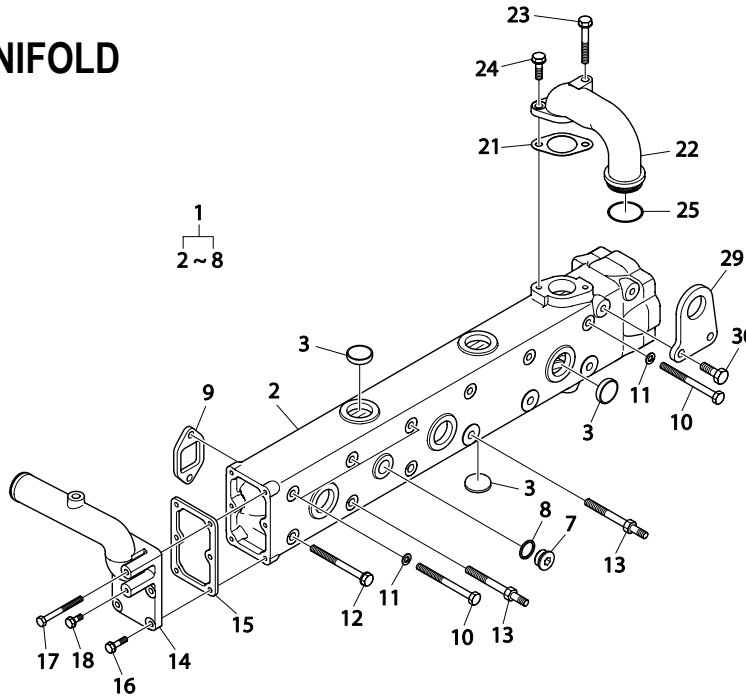
POS.	PART NUMBER	DESCRIPTION	QTY	NOTES
1	610241	PIPE, WATER COOLANT	1	
2	610242	GASKET, WATER PIPE	3	IN KIT A,C
3	610225	BOLT	3	
4	610243	BOLT	3	
8	33000376	SENSOR, COOLANT	1	
14	610244	PLUG, SCREW	1	
15	610206	SEAL, RING	1	
22	610222	PLUG, SCREW	1	
23	610245	SEAL, RING	1	
27	610246	PIPE, WATER COOLANT	1	
28	610247	HOSE, COOLANT	2	
29	610248	CLAMP, HOSE	4	
30	610249	HOSE, RUBBER	1	

SPEC N. :  
REV. DATE:12APR16

**COOLING WATER PIPE CONT.**

POS.	PART NUMBER	DESCRIPTION	QTY	NOTES
31	610250	CLAMP, HOSE	2	
32	610251	CLAMP, HOSE	2	
33	610252	HOSE, COOLANT	1	
34	610250	CLAMP, HOSE	2	
47	610253	PIPE, WATER COOLANT	1	
48	610442	NUT, HEX	2	
49	610254	WASHER	2	
50	610255	HOSE, SILCONE	1	
51	610251	CLAMP, HOSE	4	
52	610256	HOSE, RUBBER	1	
53	610257	CLAMP, HOSE	4	
54	610258	PIPE, WATER COOLANT	1	

# EXHAUST MANIFOLD

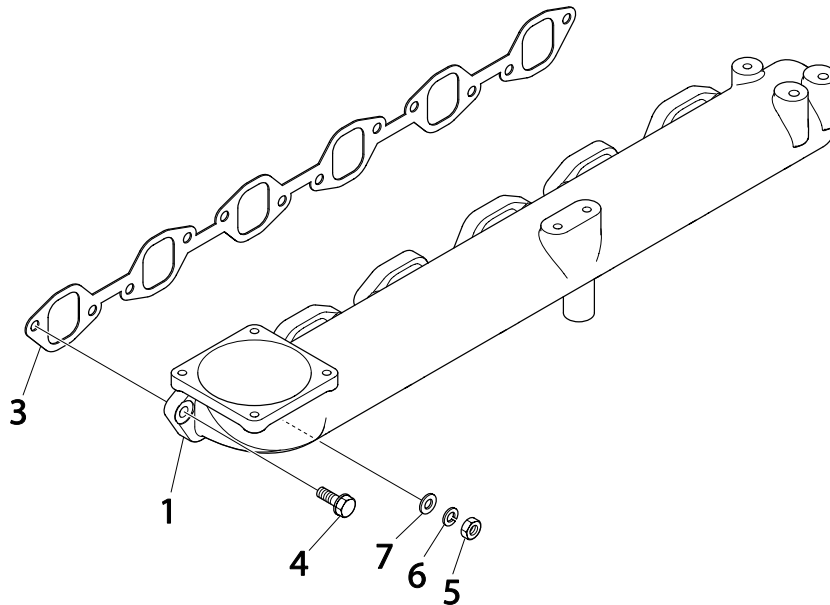


ZBOM8L-1025

POS.	PART NUMBER	DESCRIPTION	QTY	NOTES
1	610283	MANIFOLD, EXHAUST (ASSY)	1	
2	NSS	MANIFOLD, EXHAUST	1	
3	610284	PLUG, CORE	7	
7	610285	PLUG, SCREW	1	
8	610194	SEAL, RING	1	
9	610286	GASKET, E/MNFLD	6	IN KIT A,C
10	610287	BOLT, HEX	6	
11	610146	WASHER, SPRING	6	
12	610288	BOLT	4	
13	610289	BOLT	2	
14	610290	COVER, E/MNFLD	1	
15	610291	GASKET, E/FLANGE	1	IN KIT A
16	610292	BOLT	5	
17	610293	BOLT	1	
18	610026	BOLT, HEX	1	
21	610263	GASKET, E/FLANGE	1	IN KIT A,C
22	610295	PIPE, WTR COOL	1	
23	610296	BOLT	1	
24	610297	BOLT	1	
25	610298	O-RING	1	IN KIT A
29	610299	LIFTING HOOK	1	
30	610300	BOLT, HEX	2	
	NSS =	NOT SOLD SEPERATELY		

SPEC N. :  
REV. DATE:12APR16

## INTAKE MANIFOLD



ZBOM8L-1026

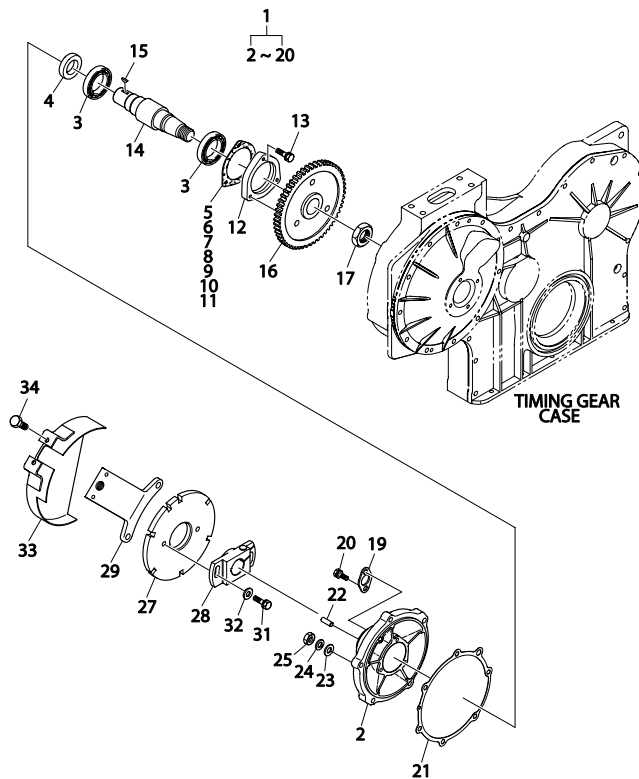
POS.	PART NUMBER	DESCRIPTION	QTY	NOTES
1	610301	MANIFOLD, INTAKE	1	
3	610302	GASKET, INTAKE MANIFOLD	1	IN KIT A,C
4	610303	BOLT	8	
5	610304	NUT, HEX	2	
6	610146	WASHER, SPRING	2	
7	610147	WASHER, PLAIN	2	

SPEC N. :  
REV. DATE:12APR16

Page 46

Power Solutions International  
201 Mittel Dr., Wood Dale, IL 60191 | Te. +10 630 350 9400 | Fax. +1 630 350 9588  
Web: www.psiengines.com | email: parts@psiengines.com

## INJECTION PUMP DRIVE



ZBOM8L-1027

POS.	PART NUMBER	DESCRIPTION	QTY	NOTES
1	610305	PUMP, INJECTION	1	
2	610306	COVER, INJ/PUMP	1	
3	610307	BEARING, TAPPER	2	
4	610308	SEAL, OIL	1	
5	610309	SHIM - 0.30MM	1	
6	610310	SHIM - 0.20MM	1	
7	610311	SHIM - 0.15MM	1	
8	610311	SHIM - 0.15MM	1	
9	610313	SHIM - 0.06MM	1	
10	610314	SHIM - 0.08MM	1	
11	610315	SHIM - 0.05MM	1	
12	610316	COVER, INJ/PUMP	1	
13	610014	BOLT	3	
14	610317	SHAFT, INJ/PUMP	1	
15	610318	KEY, WOODRUFF	1	
16	610319	GEAR, INJ/PUMP	1	
17	612493	NUT, LOCK	1	

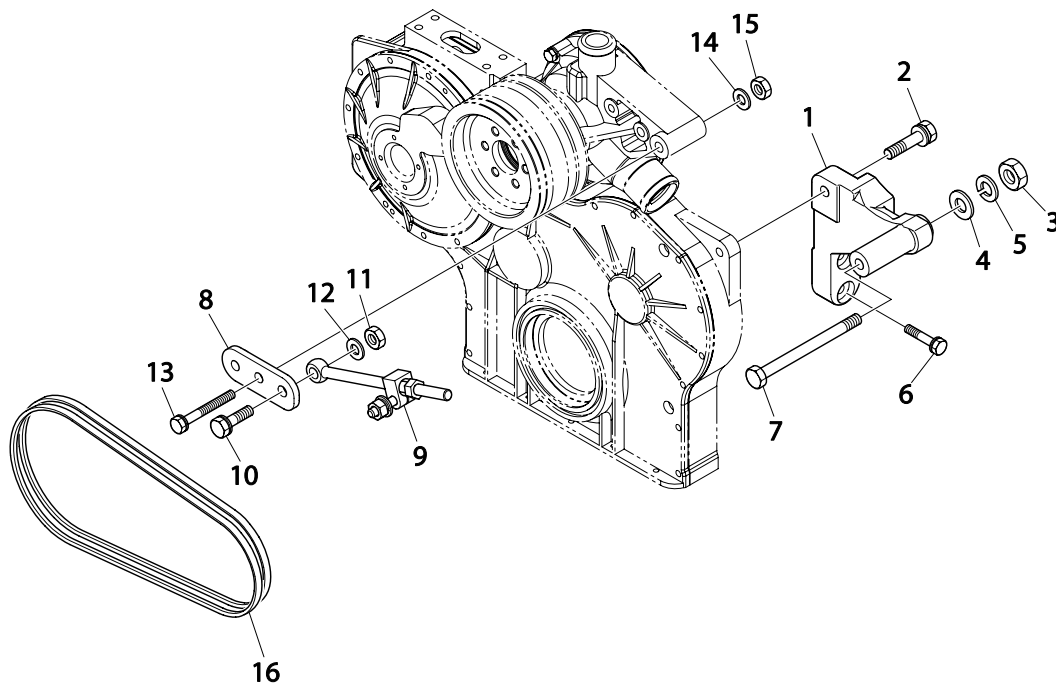
SPEC N. :  
REV. DATE:12APR16

**INJECTION PUMP DRIVE CONT.**

POS.	PART NUMBER	DESCRIPTION	QTY	NOTES
19	610320	FLANGE	1	
20	610321	BOLT, HEX	2	
21	610322	GASKET, I/P FLNG	1	IN KIT A
22	610323	SPRING, PIN	1	
23	610254	WASHER	7	
24	610146	WASHER, SPRING	7	
25	610304	NUT, HEX	7	
27	50100024	WHEEL, TIMING	1	
28	58900013	ADAPTOR, DRIVE	1	
29	610325	BRACKET	1	
31	610326	BOLT	2	
32	610254	WASHER	2	
33	610327	COVER	1	
34	610321	BOLT, HEX	2	



## ALTERNATOR MOUNT



ZBOM8L-1028

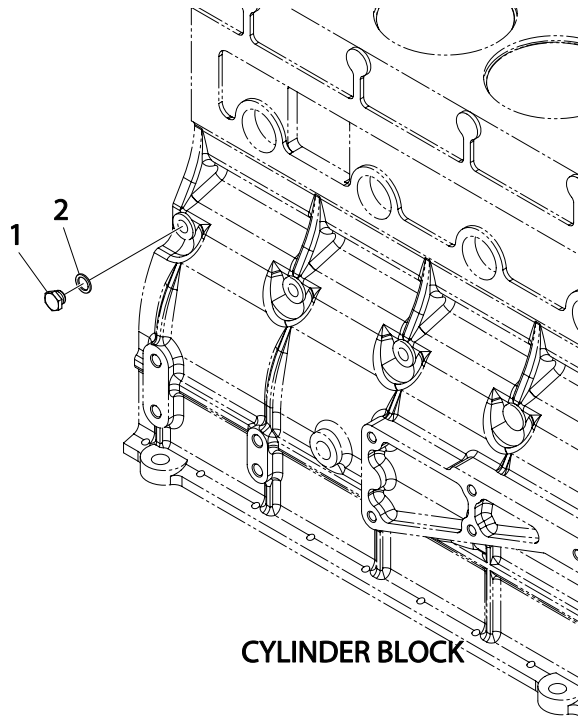
POS.	PART NUMBER	DESCRIPTION	QTY	NOTES
1	610328	BRACKET, ALTERNATOR	1	
2	610329	BOLT	1	
3	610048	NUT, HEX	1	
4	610330	WASHER	1	
5	610047	WASHER, SPRING	1	
6	610331	BOLT	2	
7	610332	BOLT, HEX	1	
8	610333	SUPPORT, ALT	1	
9	610334	ROD, THRD ADJ.	1	
10	610329	BOLT	1	
11	610048	NUT, HEX	1	
12	610525	WASHER, SPRING	1	
13	610336	BOLT	1	
14	610254	WASHER	1	
15	610304	NUT, HEX	1	
16	53000025	BELT, CRANK	2	IN KIT 3,4,5,

SPEC N. :  
REV. DATE:12APR16

Page 49

Power Solutions International  
201 Mittel Dr., Wood Dale, IL 60191 | Te. +10 630 350 9400 | Fax. +1 630 350 9588  
Web: www.psiengines.com | email: parts@psiengines.com

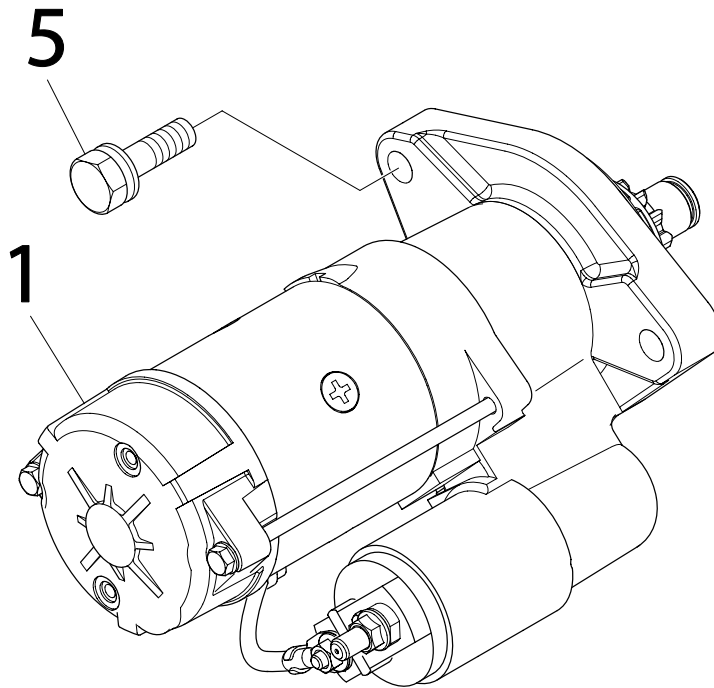
**SENSOR AND SWITCH**



ZBOM8L-1029

POS.	PART NUMBER	DESCRIPTION	QTY	NOTES
1	610022	PLUG	1	
2	610011	SEAL	1	

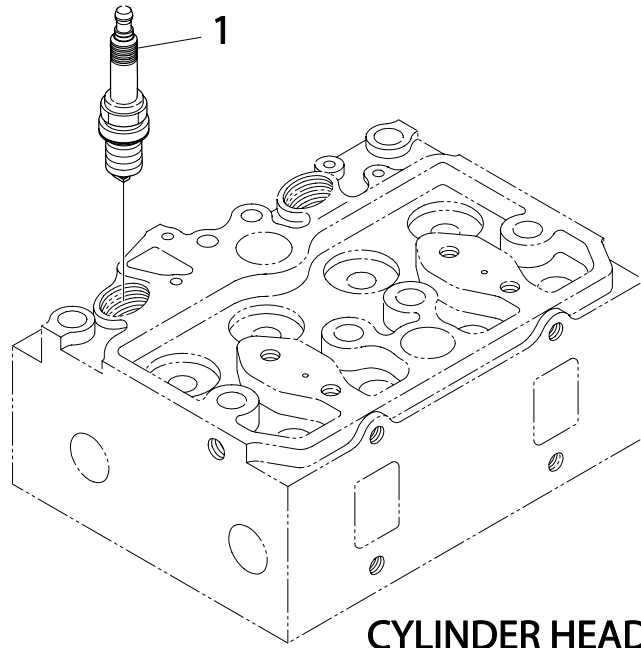
**STARTER**



ZBOM8L-1030

POS.	PART NUMBER	DESCRIPTION	QTY	NOTES
1	610342	STARTER	1	
2	610343	BOLT	3	

**ELECTRONIC IGNITION**

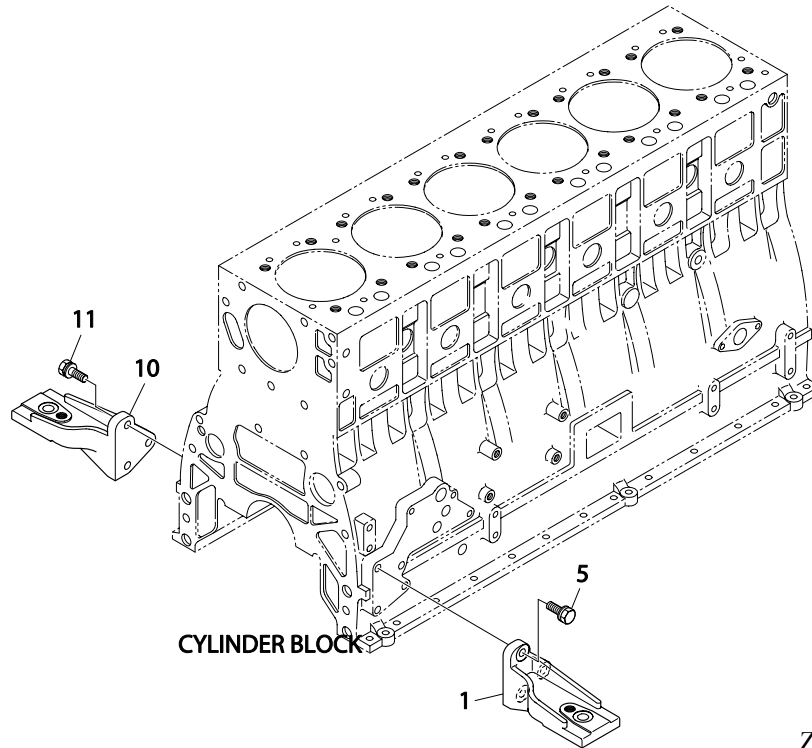


**CYLINDER HEAD**

ZBOM8L-1031

POS.	PART NUMBER	DESCRIPTION	QTY	NOTES
1	610344	SPARK PLUG	6	IN KIT 2,3,4,5

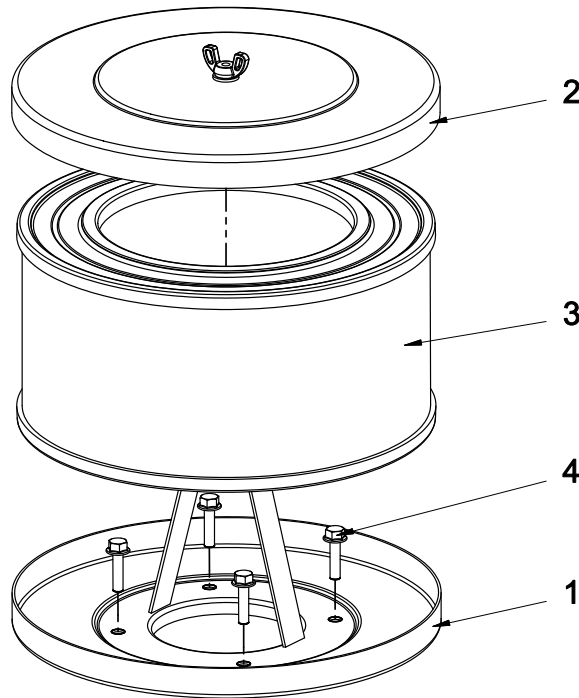
**ENGINE MOUNT**



ZBOM8L-1032

POS.	PART NUMBER	DESCRIPTION	QTY	NOTES
1	610346	BRACKET	1	
5	610027	BOLT	3	
10	610347	BRACKET	1	
11	610027	BOLT	3	

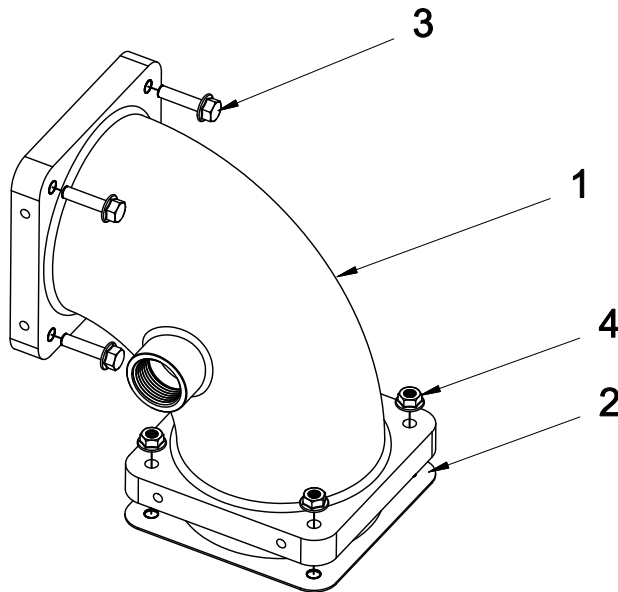
## AIR FILTER



38080714-01

POS.	PART NUMBER	DESCRIPTION	QTY	NOTES
1	33500776	BASE, REMOTE A/F	1	
2	33500771	TOP, OPEN FILTER	1	
3	33500772	FILTER, AIR	1	
4	35000450	BOLT	4	

## AIR FILTER MOUNT



38080718-01

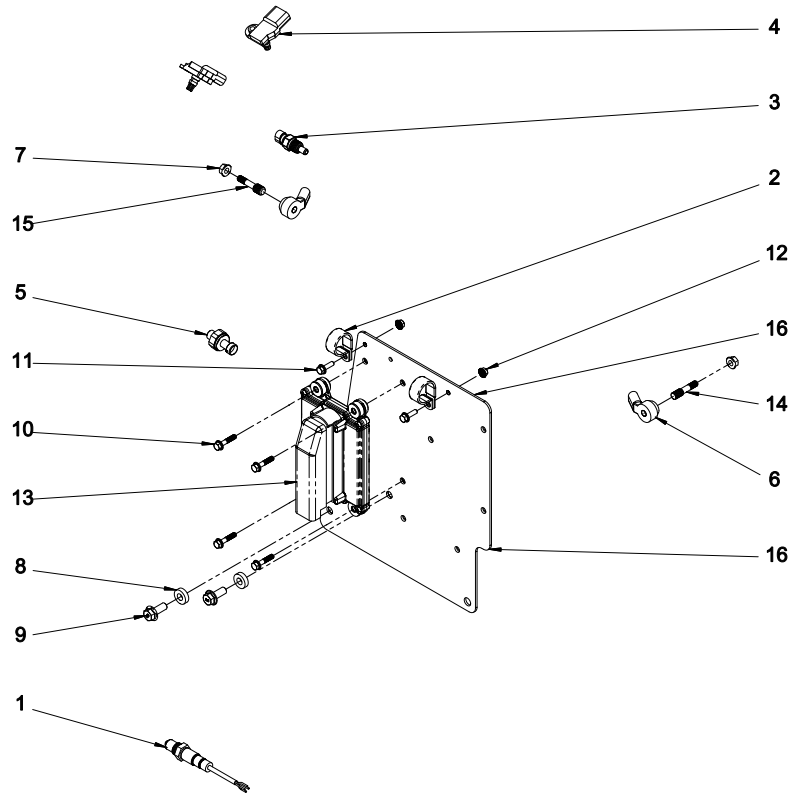
POS.	PART NUMBER	DESCRIPTION	QTY	NOTES
1	53500026	ADAPTER, AC TO MIXER	1	
2	53500028	GASKET, ADAPTER	1	IN KIT A
3	35000450	BOLT	4	
4	35000699	NUT	4	

SPEC N. :  
REV. DATE:12APR16

Page 55

Power Solutions International  
201 Mittel Dr., Wood Dale, IL 60191 | Te. +10 630 350 9400 | Fax. +1 630 350 9588  
Web: www.psiengines.com | email: parts@psiengines.com

**ELECTRICAL**



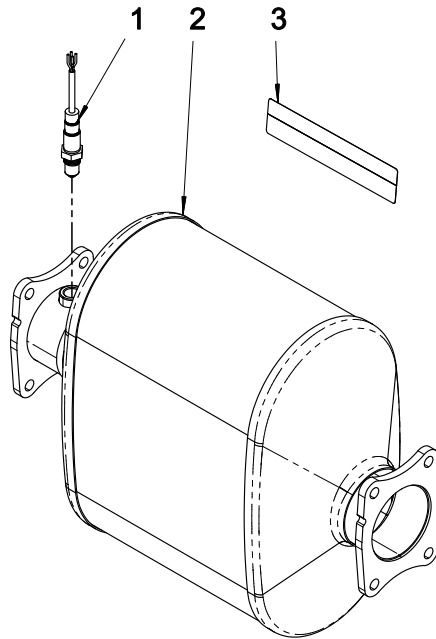
58010300-03

POS.	PART NUMBER	DESCRIPTION	QTY	NOTES
1	32501267	O2 SENSOR	1	IN KIT 3,4,5
2	33000376	COOLANT SENSOR	1	SEE COOLANT PIPE
3	33000841	T MAP SENSOR	2	IN TURBO PIPES
4	33001415	OIL PRESSURE SENSOR	1	
5	33000954	KNOCK SENSOR	2	CYLINDER HEAD
6	35000021	NUT	2	
7	35000191	WASHER	3	
8	35000368	BOLT	3	
9	35000578	BOLT	4	
10	58901000	PROGRAMMED ECU	1	STAND BY
10	58901209	PROGRAMMED ECU	1	PRIME
11	52500013	PLATE	1	
12	52500027	STUD	1	
13	52500082	STUD	1	

SPEC N. :  
REV. DATE:12APR16



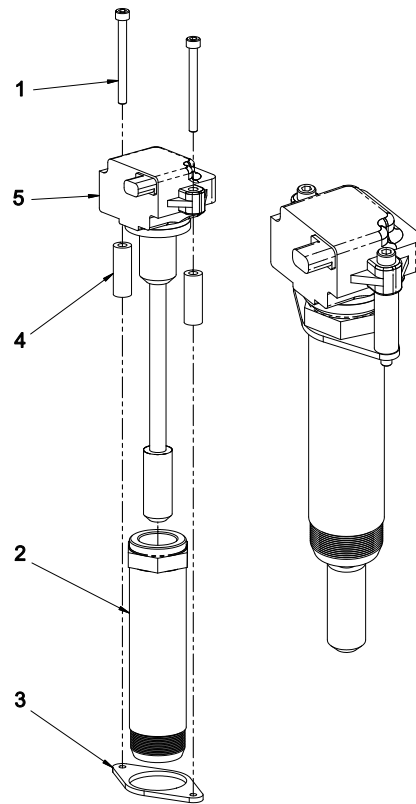
**CATALYST**



59300013-05

POS.	PART NUMBER	DESCRIPTION	QTY	NOTES
1	32501267	O2 SENSOR	1	
2	38901313	CATALYST	1	
3	33500805	GASKET	2	IN KIT A

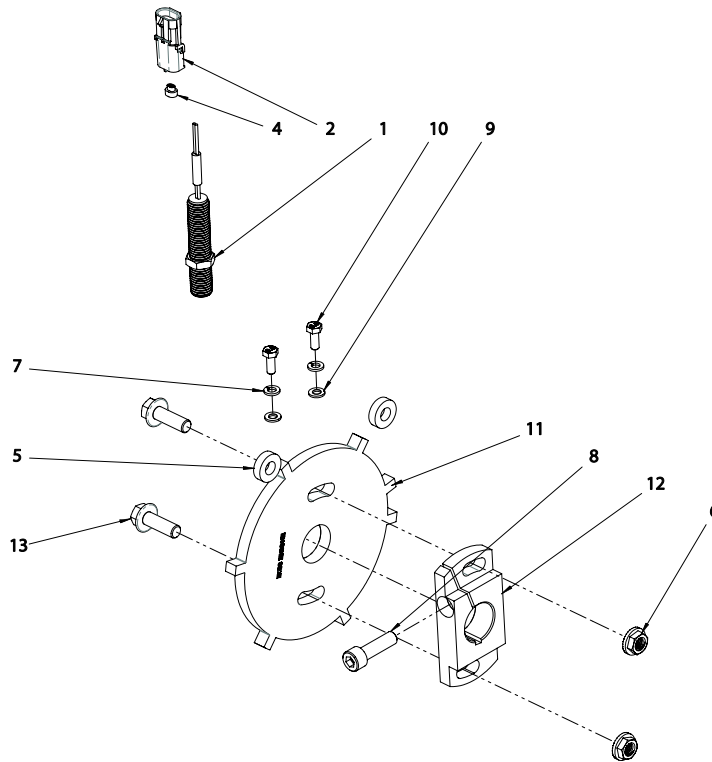
**COIL ASSEMBLY**



58010301-02

POS.	PART NUMBER	DESCRIPTION	QTY	NOTES
1	35000685	BOLT	16	
2	53000001	MOUNT, IGNITION COIL	8	
3	53000002	FLANGE, IGNITION COIL	8	
4	53000042	COIL, IGNITION (WITH BOOTS)	8	IN KIT 4,5
5	53000009	BOOT, IGNITION COIL	8	IN KIT3
6	53000012	SPACER	16	

## CAM WHEEL SENSOR



58010303-03

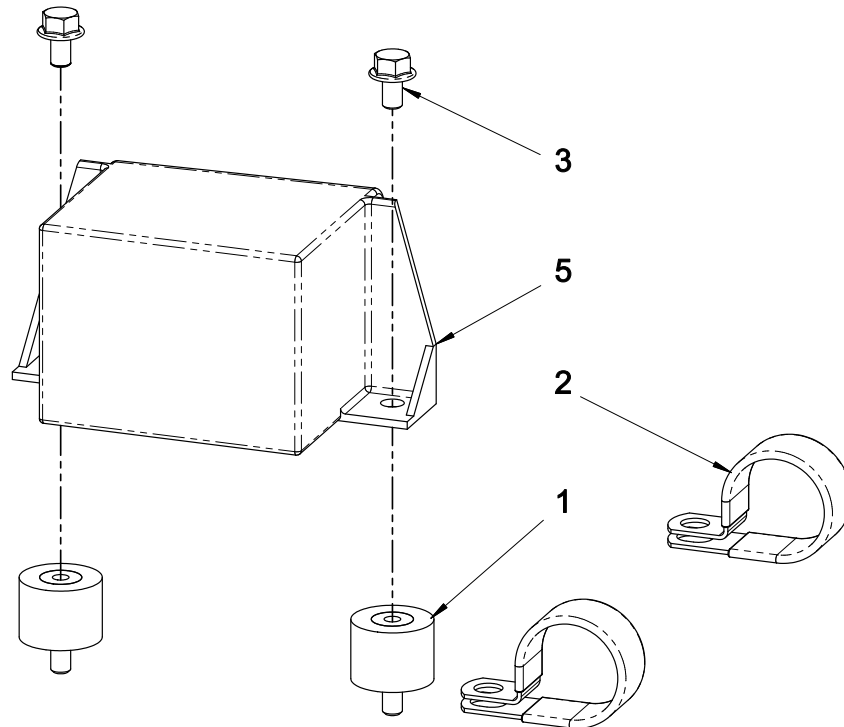
POS.	PART NUMBER	DESCRIPTION	QTY	NOTES
1	107012	SENSOR	1	
2	15000079	WASHER	1	
3	33000497	CONNECTOR, MAG PICKUP	1	
4	33000498	TERMINAL, MAG PICK UP	2	NOT SHOWN
5	33000499	SEAL, MAG PICK UP	2	NOT SHOWN
6	35000191	WASHER	2	
7	35000196	NUT	2	
8	35000402	WASHER	2	
9	50100024	WHEEL, TIMING	1	
10	55000004	BOLT	1	
11	58900013	ADAPTOR, DRIVE	1	
12	65000053	BOLT	2	

SPEC N. :  
REV. DATE:12APR16

Page 59

Power Solutions International  
201 Mittel Dr., Wood Dale, IL 60191 | Te. +10 630 350 9400 | Fax. +1 630 350 9588  
Web: www.psiengines.com | email: parts@psiengines.com

# HARNESS

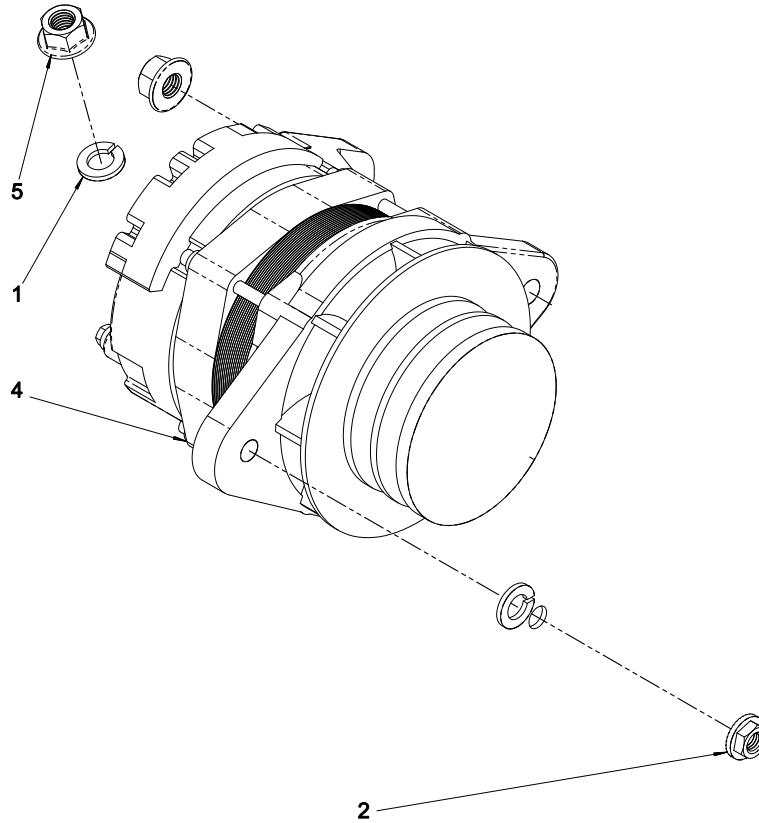


58010304-02

POS.	PART NUMBER	DESCRIPTION	QTY	NOTES
1	32500899	ISOLATOR	2	
2	32501609	CLAMP	2	
3	35000449	BOLT	2	
4	52500157	IGNITION HARNESS	1	NOT SHOWN
5	52500097	MASTER HARNESS	1	
<b>HARNESS PARTS</b>				
	107095	24V RELAY-RECTANGLE	1	
	107096	24V RELAY-SQUARE	1	
	46243	50 AMP MINI FUSE	1	
	46253	5 AMP MINI FUSE	2	
	46257	20 AMP MINI FUSE	2	
<b>MISC. PARTS</b>				
	101554	DIAGNOSTIC ECOM CABLE	1	SOLD SEPERATELY

SPEC N. :  
REV. DATE:12APR16

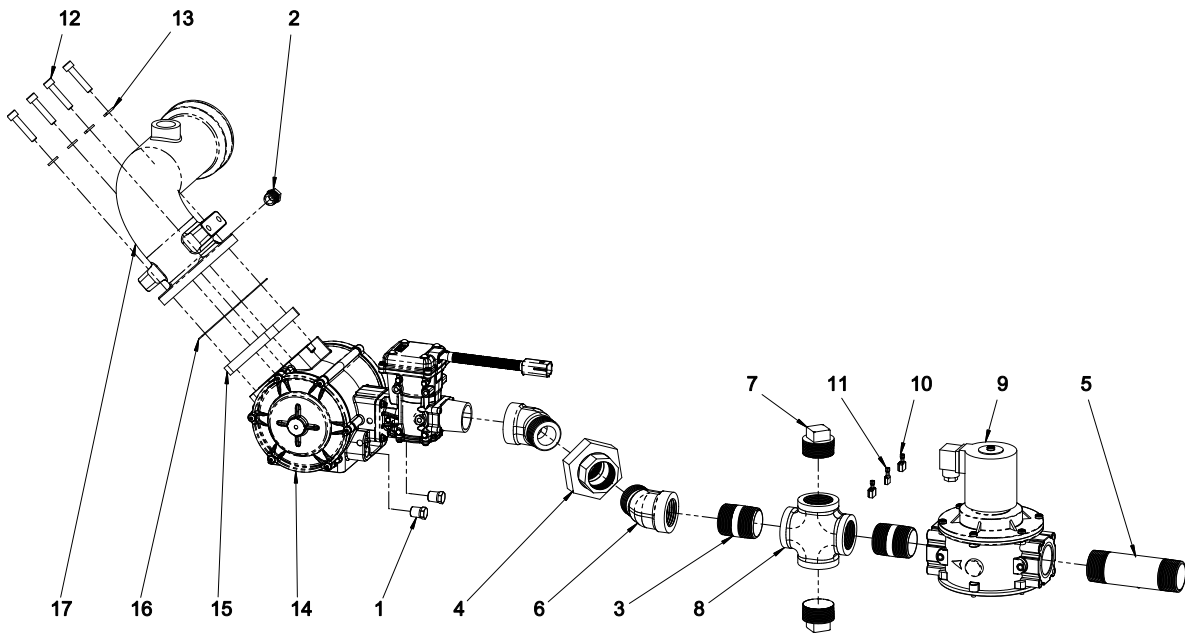
**ALTERNATOR**



58010306-03

POS.	PART NUMBER	DESCRIPTION	QTY	NOTES
1	35000079	WASHER	3	
2	35000196	NUT	1	
3	35000690	BOLT	1	NOT SHOWN
4	53000016	ALTERNATOR	1	
5	35000973	NUT	2	
6	35000732	WASHER	2	NOT SHOWN
7	35000954	BOLT	1	NOT SHOWN
8	35000970	BOLT	1	NOT SHOWN

**FUEL SYSTEM**

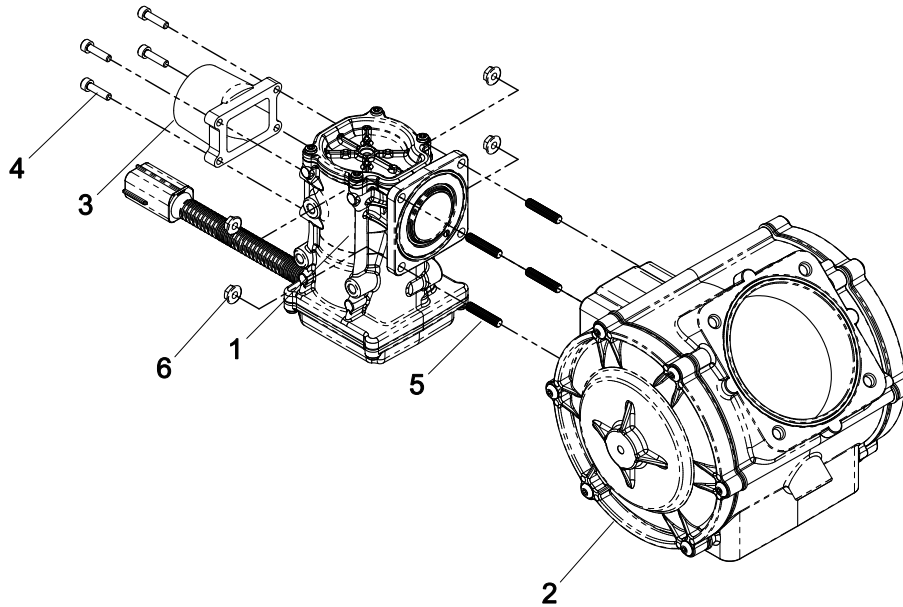


58010400-06

POS.	PART NUMBER	DESCRIPTION	QTY	NOTES
1	32500233	PLUG	2	
2	32500342	PLUG	1	
3	32501077	NIPPLE	2	
4	32501752	UNION	1	
5	32501754	NIPPLE	1	
6	32501769	ELBOW	2	
7	32502077	FITTING	2	
8	32502078	FITTING	1	
9	32502219	VALVE, LOCK OFF	1	
10	33001072	TERMINAL	2	
11	33001073	TERMINAL	1	
12	35000250	BOLT	4	
13	35000361	WASHER	4	
14	38080463	KIT, EPR AND MIXER	1	
15	52500063	SPACER	1	
16	52500064	GASKET	1	
17	58900011	ELBOW	1	

SPEC N. :  
REV. DATE:12APR16

## EPR AND MIXER



38080463-01

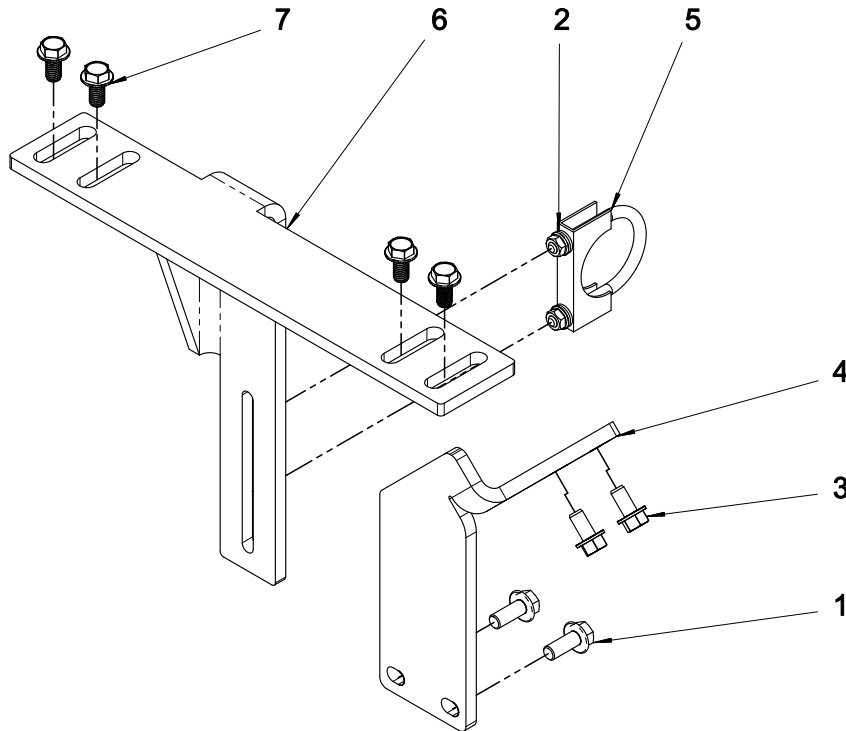
POS.	PART NUMBER	DESCRIPTION	QTY	NOTES
1	32501671	EPR	1	
2	32501690	MIXER *	1	SEE BELOW
3	32501779	ADAPTER	1	
4	35000674	BOLT	4	
5	35000680	STUD	4	
6	35000681	NUT	4	
*	106823	MIXER REPAIR KIT	1	

SPEC N. :  
REV. DATE:12APR16

Page 63

Power Solutions International  
201 Mittel Dr., Wood Dale, IL 60191 | Te. +10 630 350 9400 | Fax. +1 630 350 9588  
Web: www.psiengines.com | email: parts@psiengines.com

## FUEL SYSTEM MOUNT

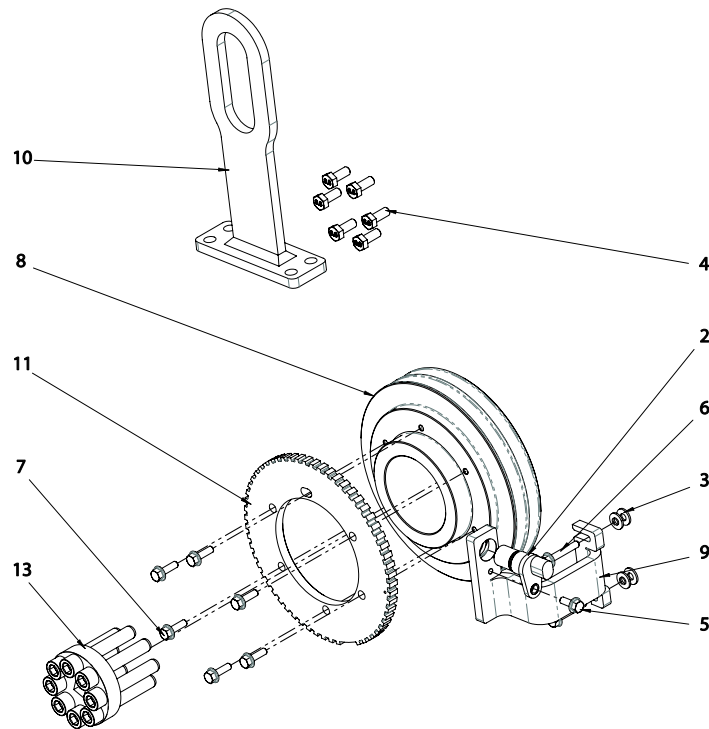


58010405-01

POS.	PART NUMBER	DESCRIPTION	QTY	NOTES
1	35000368	BOLT	2	
2	35000426	WASHER	2	
3	35000455	BOLT	2	
4	52500009	BRACKET	1	
5	52500101	MANIFOLD BRACKET	1	
6	52500035	U-BOLT	1	
7	55000013	BOLT	4	



**FRONT DRIVE**



58010602-06

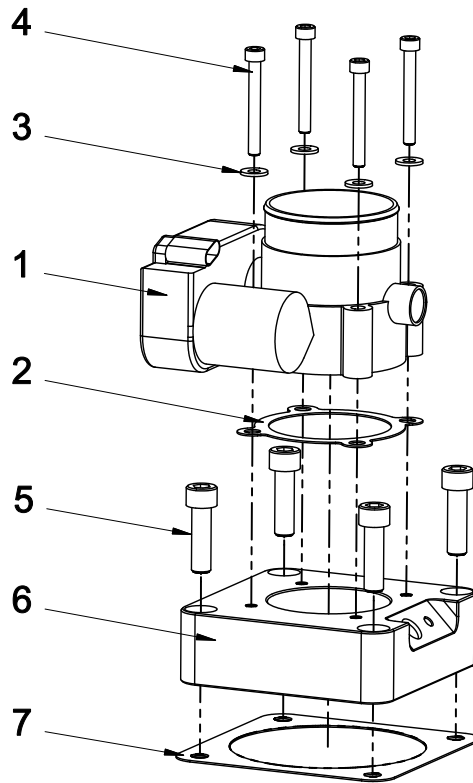
POS.	PART NUMBER	DESCRIPTION	QTY	NOTES
1	30500092	TAPE	3	NOT SHOWN
2	32500930	TIMING WHEEL SENSOR	1	
3	35000006	WASHER	4	
4	35000018	BOLT	6	
5	35000530	BOLT	1	
6	35000531	BOLT	2	
7	35000696	BOLT	6	
8	50100017	CRANK PULLEY	1	
9	52500004	CRANK SENSOR BRACKET	1	
10	52500005	LIFT EYE	1	
11	52500132	TIMING WHEEL	1	
12	53000025	BELT	2	
13	58010100	PULLEY KIT	1	

SPEC N. :  
REV. DATE:12APR16

Page 65

Power Solutions International  
201 Mittel Dr., Wood Dale, IL 60191 | Te. +10 630 350 9400 | Fax. +1 630 350 9588  
Web: www.psiengines.com | email: parts@psiengines.com

## THROTTLE BODY



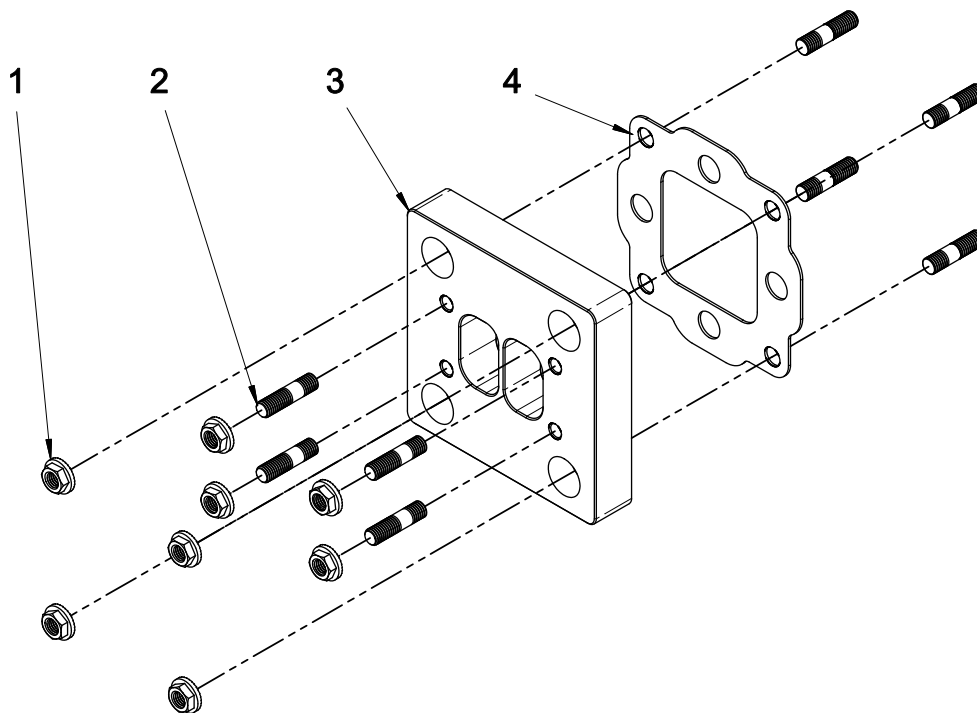
58010800-01

POS.	PART NUMBER	DESCRIPTION	QTY	NOTES
1	32500662	THROTTLE BODY	1	IN KIT 3,4,5
2	32500715	GASKET	1	IN KIT A,3,4,
3	32501417	WASHER	4	
4	35000335	SCREW	4	
5	35000493	BOLT	4	
6	52500011	ADAPTER	1	
7	52500047	GASKET	1	IN KIT A

SPEC N. :  
REV. DATE:12APR16

Page 66

## EXHAUST ADAPTER



58010801-02

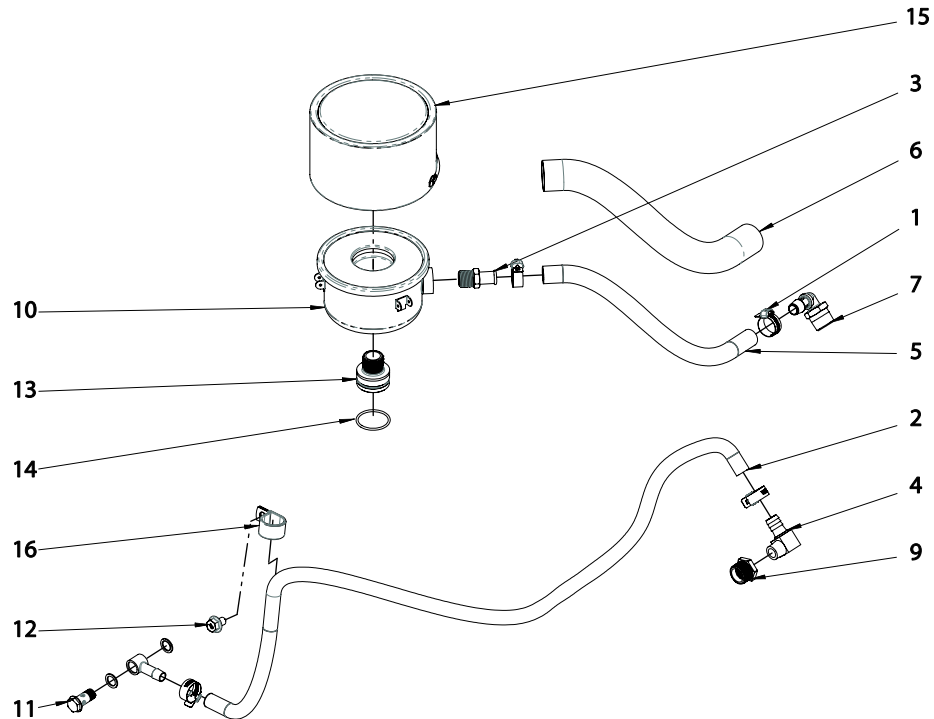
POS.	PART NUMBER	DESCRIPTION	QTY	NOTES
1	35000196	NUT	8	
2	35000302	STUD	8	
3	53500000	ADAPTER	1	
4	53500035	GASKET	1	IN KIT A,C
5	33500342	EXHAUST MANIFOLD PLUG	1	NOT SHOWN

SPEC N. :  
REV. DATE:12APR16

Page 67

Power Solutions International  
201 Mittel Dr., Wood Dale, IL 60191 | Te. +10 630 350 9400 | Fax. +1 630 350 9588  
Web: www.psiengines.com | email: parts@psiengines.com

**PCV**

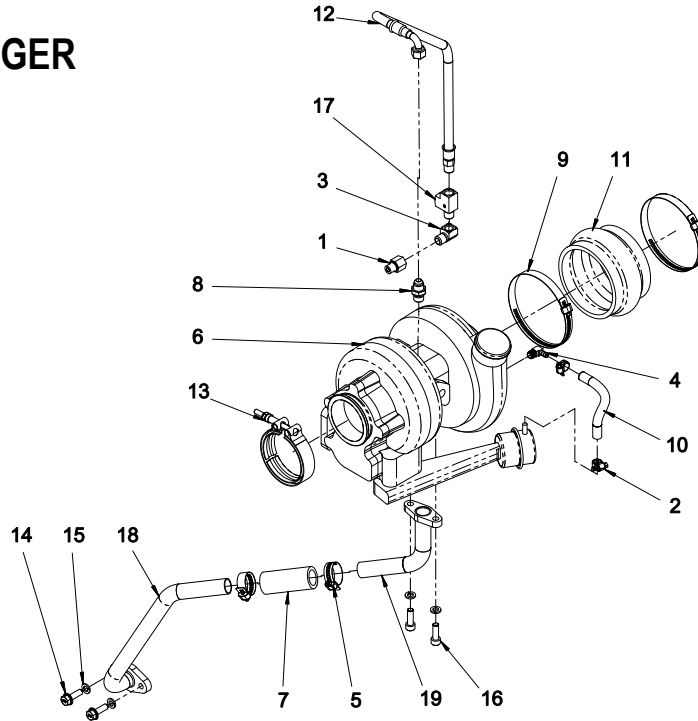


58010804-05

POS.	PART NUMBER	DESCRIPTION	QTY	NOTES
1	32000148	CLAMP	4	
2	32500608	FUEL HOSE	52 IN	
3	32501131	FITTING	1	
4	32501629	FITTING	1	
5	32501647	VAPOR HOSE	16 IN	
6	32502452	INSULATION	17	
7	32502551	FITTING	1	
8	33000562	ZIP TIE	2	
9	33500075	BUSHING	1	
10	33500852	AIR/OIL SEPERATOR FILTER	1	SEE #17
11	33501091	BANJO BOLT ASSEMBLY	1	
12	35000694	BOLT	1	
13	52500056	PCV MOUNT	1	
14	52500058	O-RING	1	
15	53500047	CCV INSULATION COVER	1	
16	63500146	CLAMP	1	
17	106457	FILTER ELEMENT	1	IN KIT 3,4,5,

SPEC N. :  
REV. DATE:12APR16

**TURBOCHARGER**

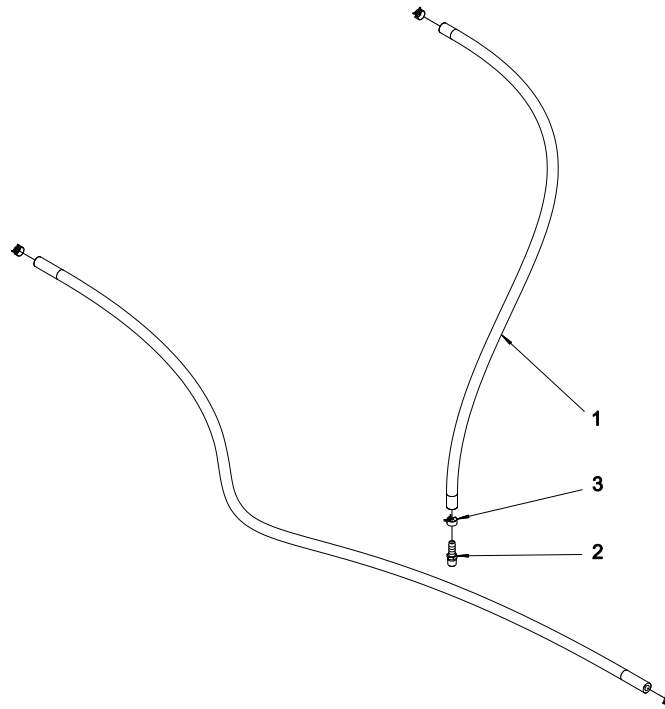


58010802-08

POS.	PART NUMBER	DESCRIPTION	QTY	NOTES
1	12700357	FITTING	1	
2	32500208	CLAMP	2	
3	32500235	ELBOW	1	
4	32500247	FITTING	1	
5	32500318	CLAMP	2	
6	58010809	TURBOCHARGER	1	
7	32500595	OIL DRAIN HOSE	4	
8	32500597	OIL SUPPLY FITTING	1	
9	32500622	CLAMP	2	
10	32500623	PUSH-LOK HOSE	4	
11	32500875	HUMP HOSE	1	
12	32502334	TURBO OIL SUPPLY HOSE	1	
13	33500283	CLAMP	1	
14	35000452	BOLT	1	
15	35000361	LOCK WASHER	4	
16	35000625	BOLT	2	
17	52500066	STREET TEE	2	
18	52500102	LOWER OIL DRAIN TUBE	1	
19	52500103	UPPER OIL DRAIN TUBE	1	
20	32502234	COPPER WASHER	1	
21	3534534	WASTEGATE ACUATOR	1	
22	33500282	OIL DRAIN GASKET	1	
23	33500281	TURBO EXHAUST GASKET	1	

SPEC N. :  
REV. DATE:12APR16

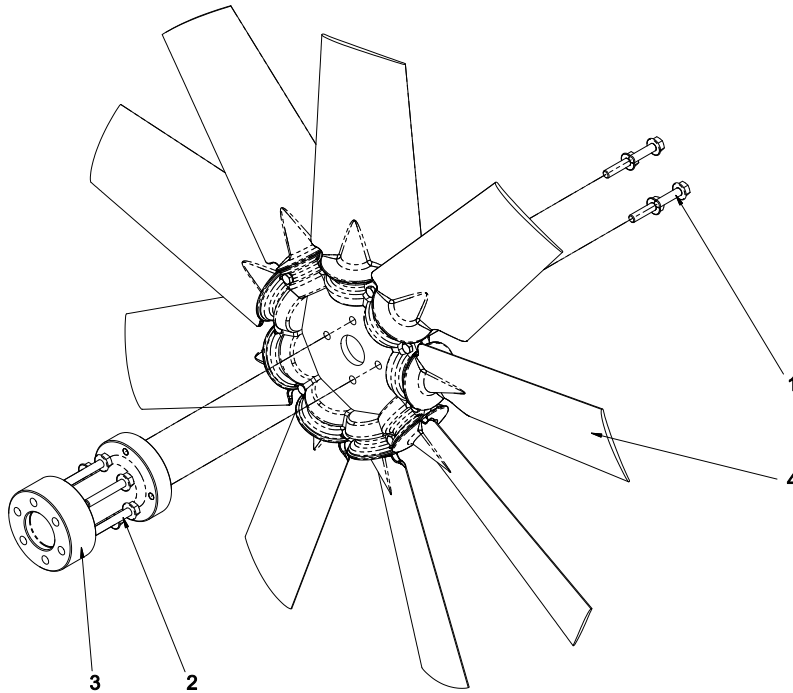
**AIR BLEED**



58010610-01

POS.	PART NUMBER	DESCRIPTION	QTY	NOTES
1	32000254	HEATER HOSE	65 IN	
2	32500520	FITTING	1	
3	32501134	CLAMP	4	

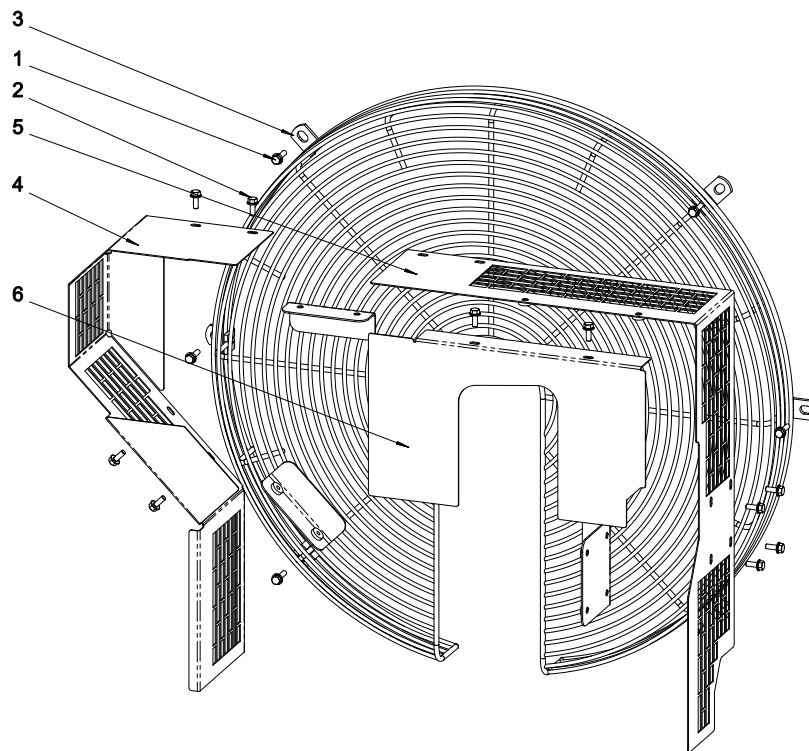
**FAN**



58010612-01

POS.	PART NUMBER	DESCRIPTION	QTY	NOTES
1	35000533	BOLT	4	
2	35000673	BOLT	6	
3	52000041	SPACER	1	
4	52000102	FAN PUSHER	1	
4	52000110	FAN PULLER		OPTIONAL

## FAN GUARD



58010613-01

POS.	PART NUMBER	DESCRIPTION	QTY	NOTES
1	35000450	BOLT	6	
2	35000530	BOLT	10	
3	52000103	FAN GUARD	1	
4	52000104	BELT GUARD	1	
5	52000105	BELT GUARD	1	
6	52000113	REAR BELT GUARD	1	

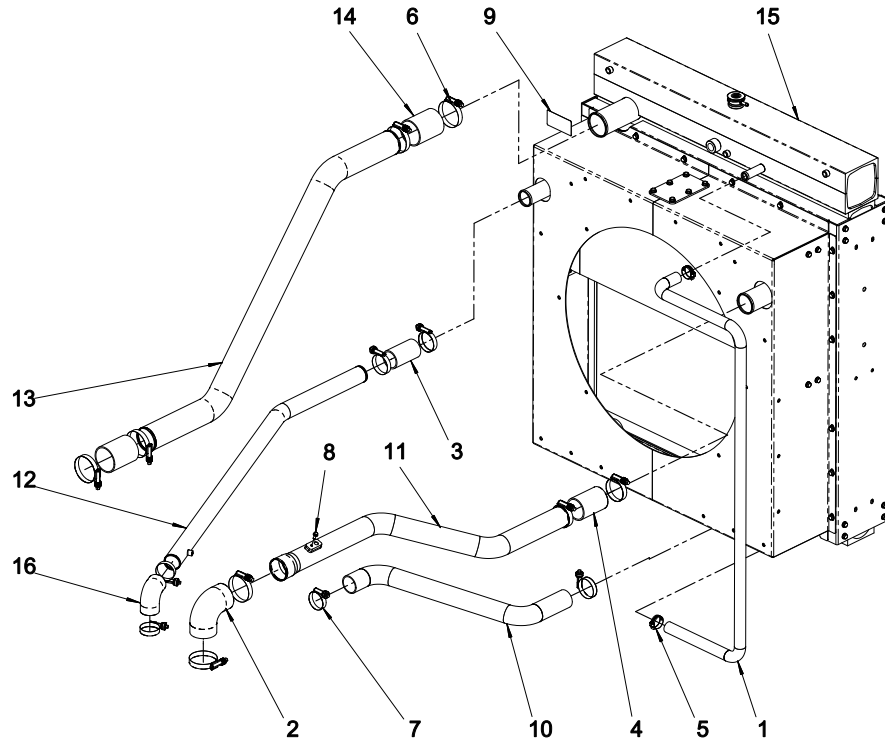
SPEC N. :  
REV. DATE:12APR16

Page 72

Power Solutions International  
201 Mittel Dr., Wood Dale, IL 60191 | Te. +10 630 350 9400 | Fax. +1 630 350 9588  
Web: www.psiengines.com | email: parts@psiengines.com



**RADIATOR**

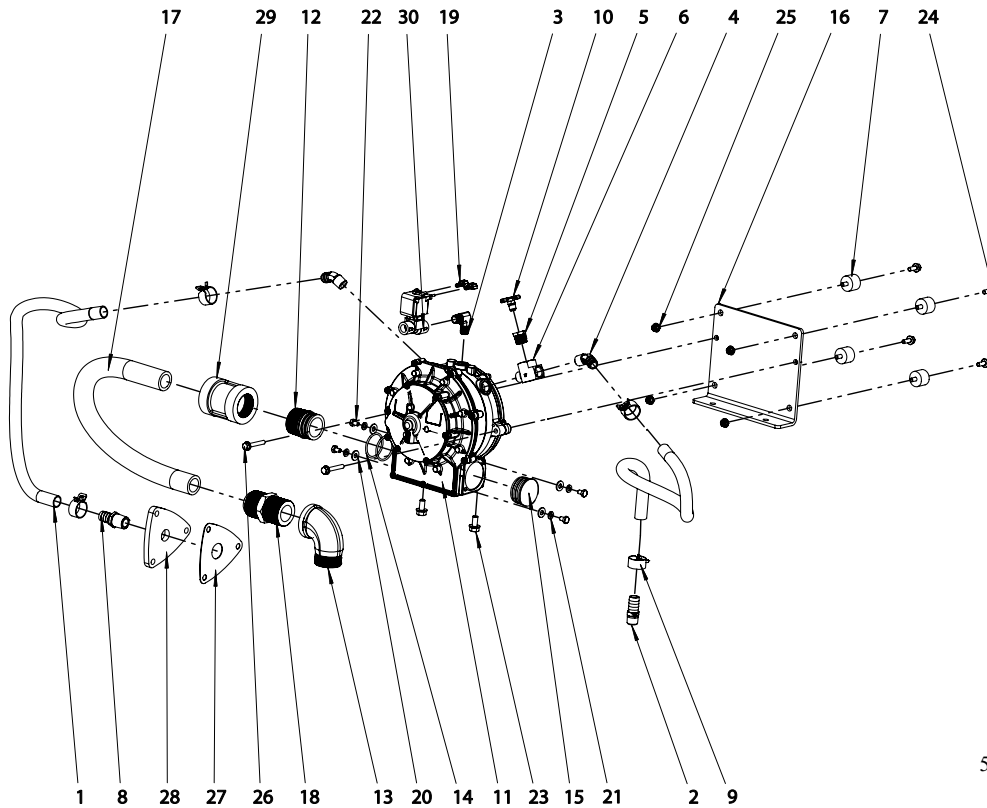


58010616-02

POS.	PART NUMBER	DESCRIPTION	QTY	NOTES
1	32000501	HOSE	73 IN	
2	32000865	HOSE	1	
3	32000867	SILICONE HOSE	1	
4	32000868	SILICONE HOSE	1	
5	32500555	HOSE CLAMP	2	
6	32500802	CONSTANT CLAMP	8	
7	32500867	CONSTANT CLAMP	6	
8	35000530	BOLT	1	
9	36000132	STICKER	1	
10	52000005	RADIATOR HOSE	1	
11	52000147	CAC TO INTAKE TUBE	1	
12	52000148	COMP TO CAC TUBE	1	
13	52000149	INLET TUBE	1	
14	52000094	SILICONE HOSE	2	
15	52000195	RADIATOR	1	
16	52500062	ELBOW	1	
17	612827	INTERCOOLER	1	NOT SHOWN
18	52000125	CAP	1	NOT SHOWN

SPEC N. :  
REV. DATE:12APR16

**VAPORIZER**



58010406-03

POS.	PART NUMBER	DESCRIPTION	QTY	NOTES
1	30100120	WATER HOSE	60 IN	
2	32000625	FITTING	1	
3	32500242	FITTING	1	
4	32500245	FITTING	2	
5	32500265	BUSHING	1	
6	32500336	TEE	1	
7	32500899	ISOLATOR	4	
8	32501108	FITTING	1	
9	32501361	CLAMP	4	
10	32501383	DRAIN COCK	1	
11	32501744	VAPORIZER	1	
12	32501749	ADAPTER	1	
13	32501751	ELBOW	1	

SPEC N. :  
REV. DATE: 12APR16

**VAPORIZER CONT.**

POS.	PART NUMBER	DESCRIPTION	QTY	NOTES
14	32501755	O-RING	2	
15	32501925	PLUG	1	
16	32501942	PLATE	1	
17	32502022	HOSE	1	
18	32502022-FST	ADAPTER	1	
19	33001072	TERMINAL	2	
20	35000006	WASHER	4	
21	35000285	WASHER	4	
22	35000355	BOLT	4	
23	35000526	BOLT	2	
24	35000530	BOLT	4	
25	35000699	NUT	4	
26	35000708	BOLT	2	
27	52000117	GASKET	1	
28	52000188	COVER	1	
29	52500006	COUPLER	1	
30	52500105	LOCK-OFF	1	