

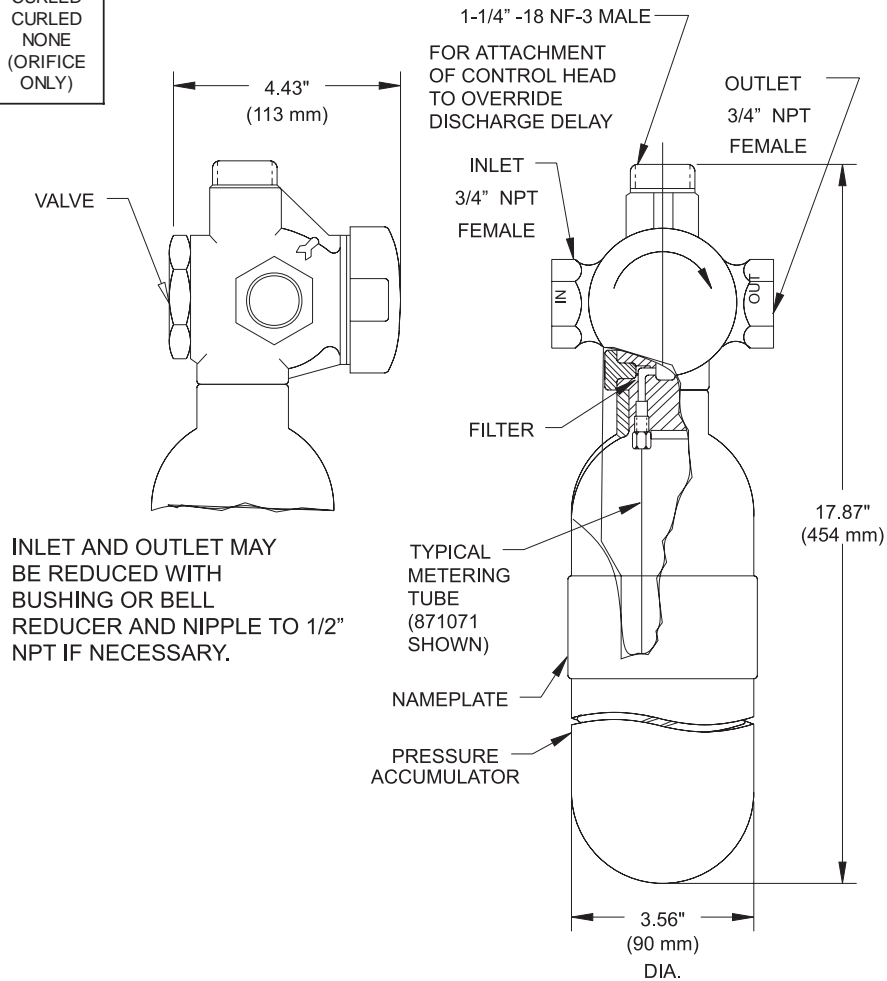
CO₂ Component Description

Discharge Delays

Effective: April 2002

K-81-5210

PART NUMBER	AGENT	NOMINAL DELAY TIME APPROX.	TYPE OF METERING TUBE
871071	CO ₂	30	CURLED
897636	CO ₂	60	CURLED
896677	360 PSI HALON 1301	25	NONE (ORIFICE ONLY)



MATERIALS

PRESSURE ACCUMULATOR: STEEL

METERING TUBE: STAINLESS STEEL

VALVE BODY: BRASS

FINISH: RED PAINT

FRICITION LOSS: 15 EQUIVALENT FEET OF 3/4" PIPE

This literature is provided for informational purposes only. KIDDE-FENWAL, INC. assumes no responsibility for the product's suitability for a particular application. The product must be properly applied to work correctly. If you need more information on this product, or if you have a particular problem or question, contact KIDDE-FENWAL INC., Ashland, MA 01721. Telephone: (508) 881-2000

Kidde Fire Systems
400 Main Street
Ashland, MA 01721 USA
Tel: (508) 881-2000
Fax: (508) 881-8920
<http://www.kiddefiresystems.com>