

CO₂ Component Description

ODORIZER

Effective: June 2007
K-81-9160

FEATURES

- FM Approved
- Stainless Steel

DESCRIPTION

The odorizer assembly injects a scent into the carbon dioxide during a discharge to warn personnel in the vicinity of the area protected by the fire suppression system that carbon dioxide gas is present. The odorizer assembly consists of a protective housing and the odorizer cartridge.

ODORIZER PROTECTIVE HOUSING

The protective housing, Part No. 81-897637-000, safely and securely attaches the odorizer cartridge to the manifold. The stainless steel housing protects the odorizer cartridge from inadvertent rupture.

ODORIZER CARTRIDGE

The odorizer cartridge, Part No. 10030080, is a 50cc glass vial filled with oil of wintergreen, which provides the scent to the carbon dioxide. Upon discharge, the carbon dioxide pressure ruptures the vial against the protective housing to release the oil of wintergreen.

INSTALLATION

When used, odorizers should be located immediately downstream of each selector valve. For systems protecting a single hazard, a single odorizer can be located immediately downstream of the discharge manifold.

Odorizers must be attached to the discharge piping in the upright position using a 1-1/2 inch standard galvanized close nipple. When a welded connection is required, use a 1-1/2 inch standard pipe, 1-3/4 inches long, threaded on one end. Install odorizer assembly after welding.

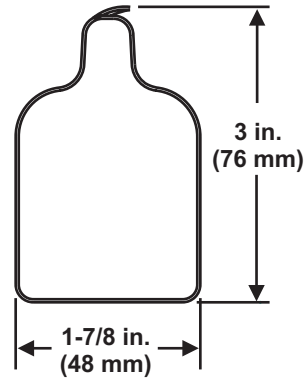
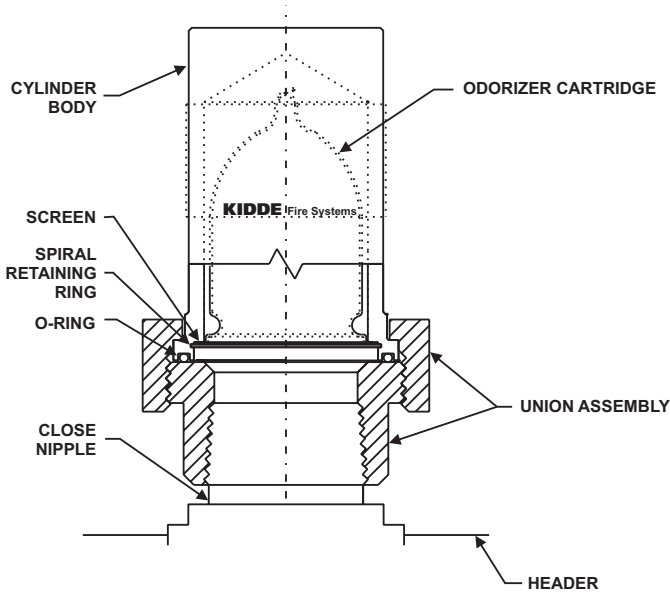
1. Attach the odorizer assembly to the piping.
2. Remove the union nut and cylinder body from the odorizer assembly, leaving just the union headpiece attached to the piping.
3. Use a small pick or slotted screwdriver to remove the spiral retaining ring and the circular screen.
4. **Carefully** insert the odorizing cartridge into the cylinder body. This is most easily done by holding the cylinder body on its side. The narrow tip end of the odorizing cartridge should go into the cylinder body first. **DO NOT** drop the odorizing cartridge into the cylinder body, as this will most likely break the odorizing cartridge.



5. Replace the screen and secure with the spiral retaining ring. Make sure the o-ring is still in its groove before placing the cylinder body back onto the union head piece. A small amount of o-ring lubricant can be used to help keep the o-ring in place.
6. Thread the union nut back onto the odorizer assembly and tighten the assembly.



Odorizers may not be appropriate with some applications such as wet-benches, food processing, or aluminum rolling mills, due to the risk of potential contamination. Always consult with the process manager prior to installing or testing an odorizer.

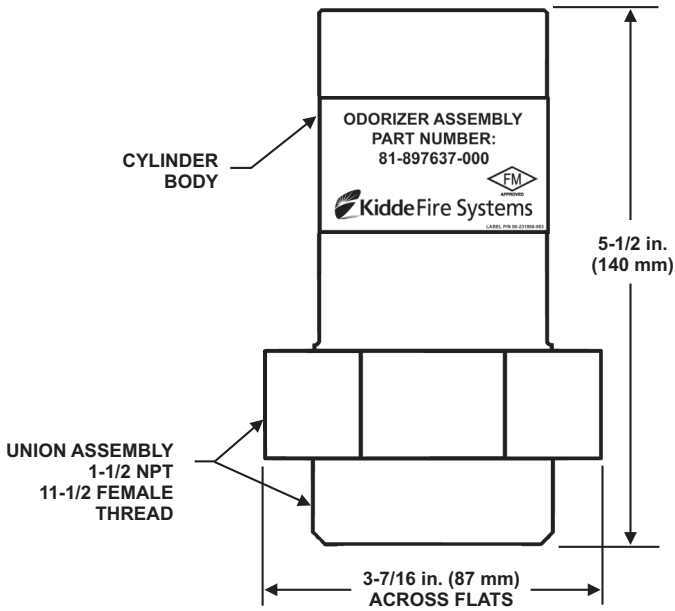


BOTTOM DISC: BLOWN GLASS
1/64 in. TO 5/16 in. THICK

ORDERING INFORMATION

Part Number	Description
81-897637-000	Odorizer Protective Housing
10030080	Odorizer Cartridge

DIMENSIONS



Kidde is a registered trademark of Kidde-Fenwal, Inc.

This literature is provided for informational purposes only. KIDDE-FENWAL, INC. assumes no responsibility for the product's suitability for a particular application. The product must be properly applied to work correctly. If you need more information on this product, or if you have a particular problem or question, contact KIDDE-FENWAL, INC., Ashland, MA 01721. Telephone: (508) 881-2000.



A UTC Fire & Security Company

400 Main Street
Ashland, MA 01721
Ph: 508.881.2000
Fax: 508.881.8920

www.kiddefiresystems.com