

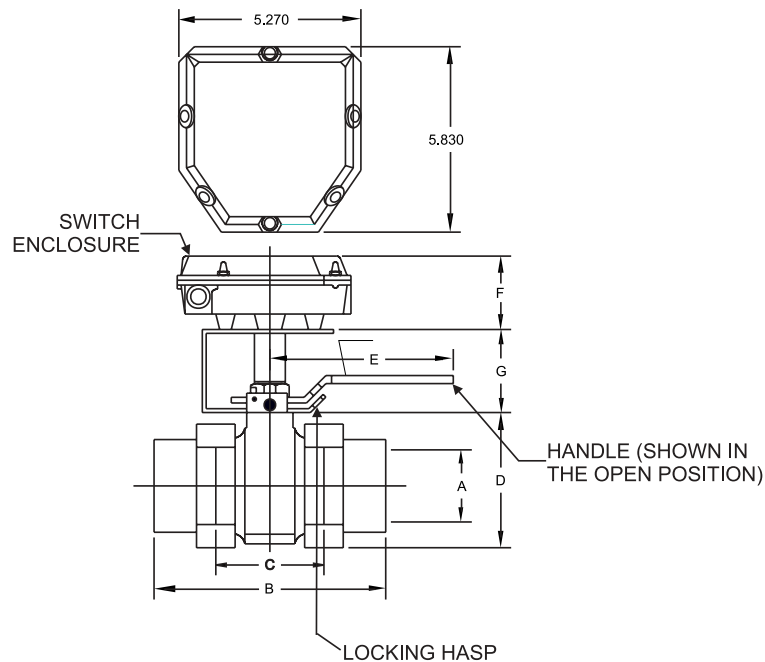
# CO<sub>2</sub> Component Description

## CO<sub>2</sub> Lock Out Valve With Limit Switch

Effective: April 2002  
K-81-1250

ASSY. PART NO.	GENERAL DIMENSIONS							
	SIZE: IN	A	B	C	D	E	F	G
81-934711-000	1/2	.660	3.939	1.938	2.250	5.500	2.800	2.500
81-934712-000	3/4	.810	4.500	2.188	2.600	5.500	2.800	2.500
81-934713-000	1	1.000	4.938	2.375	2.990	6.500	2.800	2.500
81-934714-000	1 1/2	1.440	5.875	2.750	3.870	8.500	2.800	2.750
81-934715-000	2	1.720	6.875	3.375	4.500	8.500	2.800	2.750

\* Dimensions are in inches.



### MATERIALS

**BODY: CARBON STEEL WITH  
BALL AND STEM: 316 STAINLESS  
SEATS AND SEALS: TEFLON**

#### 1. BALL VALVE:

PRESSURE RATING 2,500 PSIG

DOUBLE UNION END WITH NPT FEMALE PIPE CONNECTIONS LOCKING HANDLE AND BRACKET FOR BOTH OPEN (PARALLEL WITH VALVE BODY) AND CLOSED (PERPENDICULAR TO VALVE BODY)

#### 2. LIMIT SWITCH:

TWO (2) SPDT SWITCHES  
NEMA 4 ENCLOSURE

#### 3. LOCK NOT INCLUDED

This literature is provided for informational purposes only. KIDDE-FENWAL, INC. assumes no responsibility for the product's suitability for a particular application. The product must be properly applied to work correctly. If you need more information on this product, or if you have a particular problem or question, contact KIDDE-FENWAL INC., Ashland, MA 01721. Telephone: (508) 881-2000

Kidde Fire Systems  
400 Main Street  
Ashland, MA 01721 USA  
Tel: (508) 881-2000  
Fax: (508) 881-8920  
<http://www.kiddefiresystems.com>