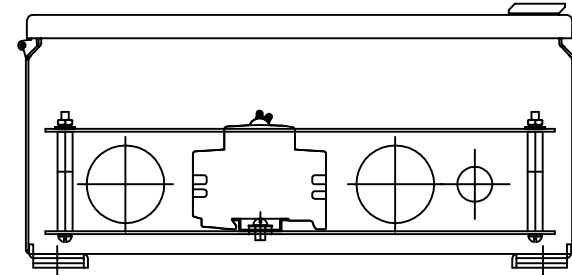
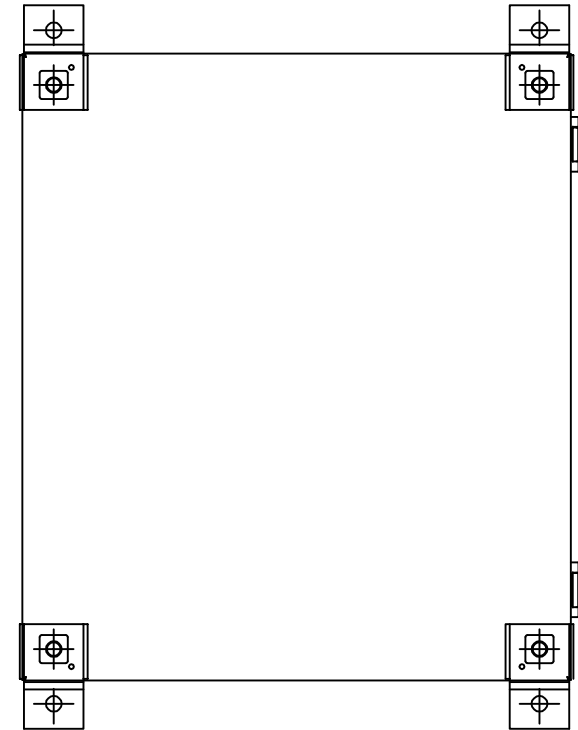
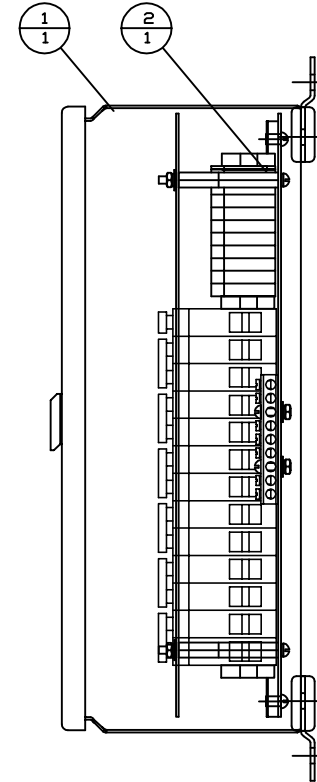
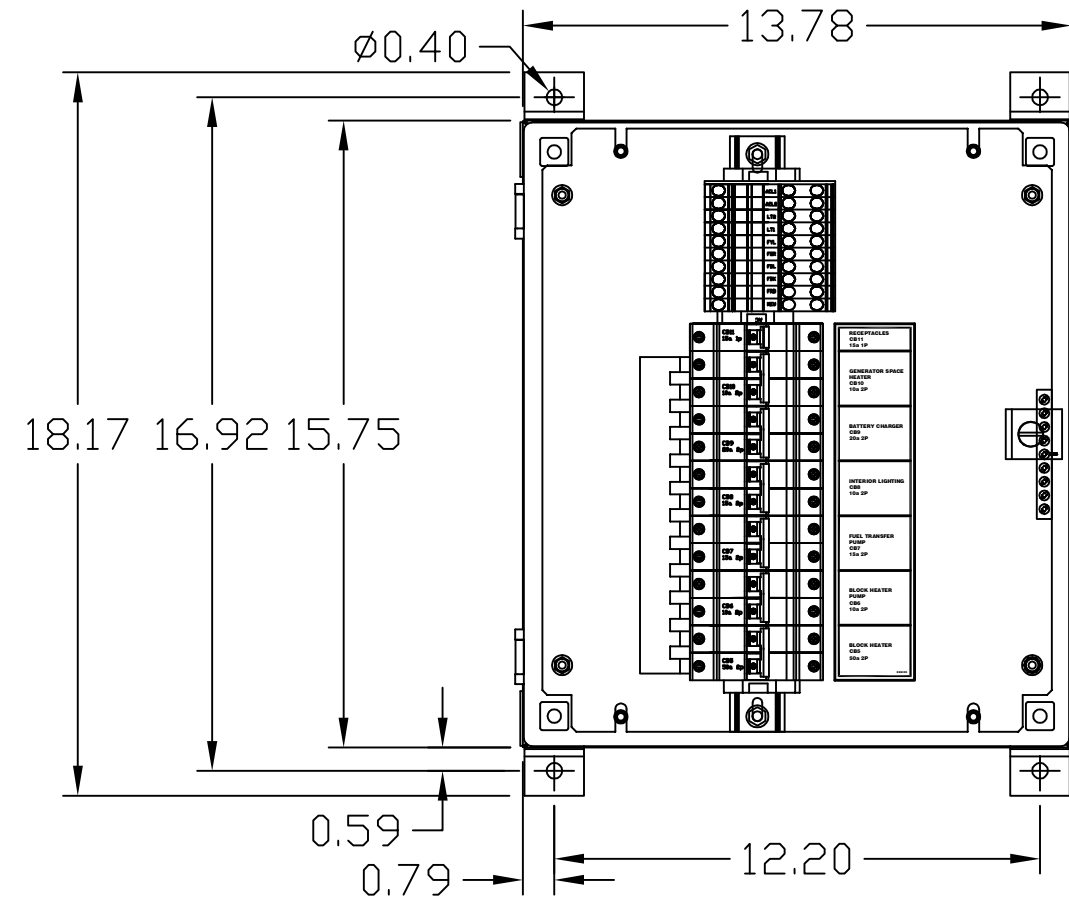
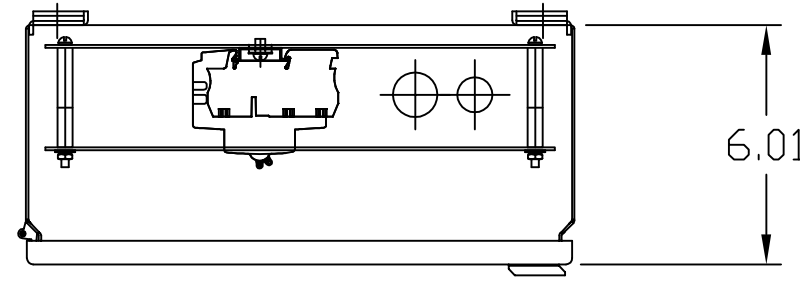


INCH 88E104

ITEM	QTY.	DESCRIPTION
1	1	88E125 SHORE POWER BOX GP
2	1	88E126 SHORE POWER TERMINAL STRIP GP



DATE BY		ALTORFER		ALTORFER POWER SYSTEMS			
				6315 W. FAUBER RD. PHONE (309) 697-1234 BARTONVILLE, IL 61607 FAX (309) 282-7546			
CHANGE NOTICE		THIS DOCUMENT CONTAINS PROPRIETARY INFORMATION OF ALTORFER, INC. WITHOUT THE WRITTEN PERMISSION OF ALTORFER, INC., ANY COPYING OR OTHER USE EXCEPT THAT FOR WHICH IT WAS INTENDED IS PROHIBITED					
		ALL DIMENSIONS IN INCHES UNLESS OTHERWISE SPECIFIED		FILE	PROJECT REFERENCE		
				DF/88E	APS2000		
		TOLERANCES: XX ± 0.100 X.XX ± 0.060 X.XXX ± 0.005	THIRD ANGLE PROJECTION	SCALE/SHEET SIZE	DRAWN BY	QUOTE NUMBER	
ANGULAR ± 1°		1=5/B	D. RICHARDSON	0			
TITLE		SHEET	DATE	WORK ORDER NUMBER			
SHORE POWER DISTRIBUTION BOX		1 OF 1	1/14/2013	0			
				DRAWING NUMBER			
				88E104			