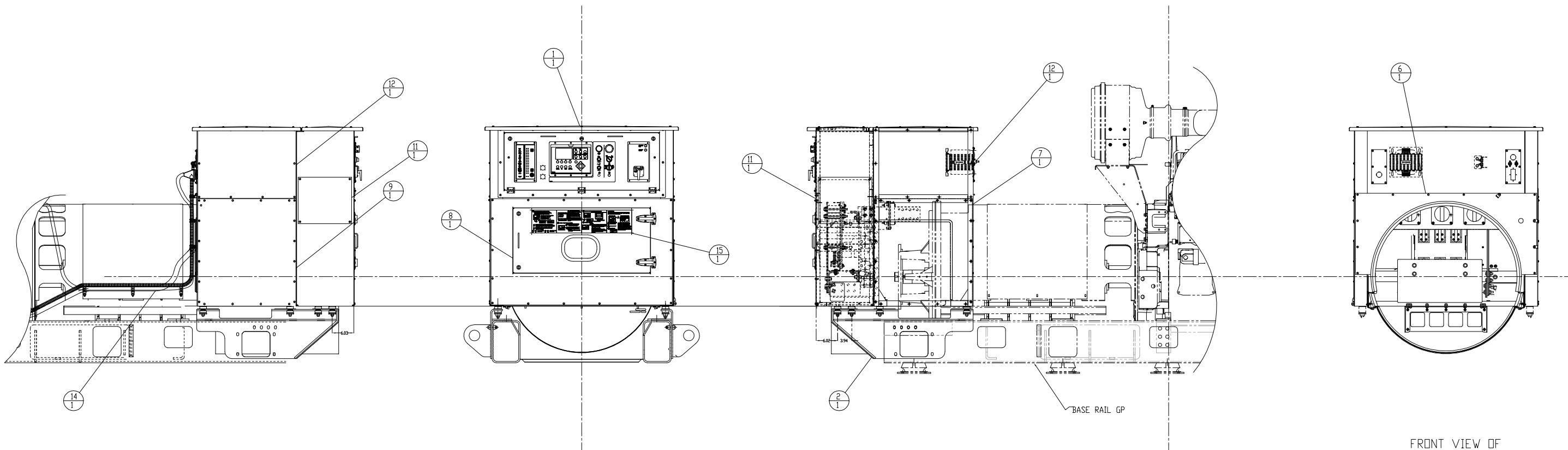
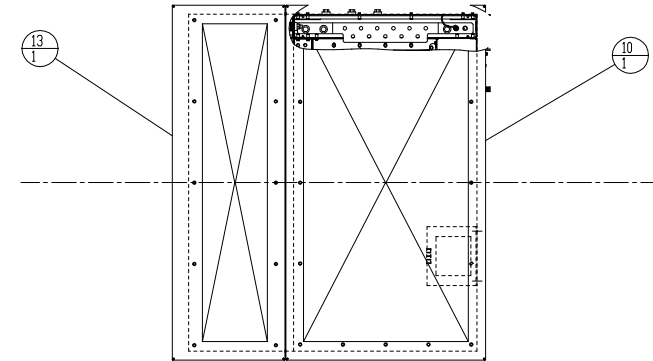


ITEM	QTY	UNIT	MEAS	PART NO.	NAME
PARTS LIST					
1	1			88E101	DOGHOUSE GP.
2	1			88E143	MOUNTING GP.
A 3	1			88E148	CABLE GP - CB TO LOAD BUS
A 4	1			88E149	CONNECTION GP - LOAD BUS
A 5	1			88E150	CONNECTION GP - CB
A 6	1			88E140	COVER GP - SCREEN
A 7	1			88E141	COVER GP - CURB SIDE
A 8	1			358-2816	COVER GP
A 9	1			357-1336	COVER GP
A 10	1			357-1368	COVER GP
A 11	2			357-1384	COVER GP
A 12	2			358-2795	COVER GP
A 13	1			362-6491	COVER GP
14	1			88E172	DOGHOUSE INTERFACE GP.
15	1			380-6868	FILM - QUICK START INFO



FRONT VIEW OF ENGINE

NOTE A: RESERVE INSTALLING UNTIL AFTER THE GENSET IS MERGED INTO THE CONTAINER

SHEET NO.	5/24/14	DATE	BY		ALTORFER POWER SYSTEMS 6315 W. FAUBER RD. PHONE (309) 697-1234 BARTONVILLE, IL 61607 FAX (309) 282-7546		
	1				THIS DOCUMENT CONTAINS PROPRIETARY INFORMATION OF ALTORFER, INC. WITHOUT THE WRITTEN PERMISSION OF ALTORFER, INC., ANY COPYING OR OTHER USE EXCEPT THAT FOR WHICH IT WAS INTENDED IS PROHIBITED.		
INCLUDE ITEM IS -	FILM	FILE		PROJECT REFERENCE		ALL DIMENSIONS IN INCHES UNLESS OTHERWISE SPECIFIED	
	CHANGE NOTICE	DF/88A	SCALE/SHEET SIZE	DRAWN BY	QUOTE NUMBER	TOLERANCES: X.X ± 0.100 THIRD ANGLE PROJECTION SHEET 1 OF 1 X.XXX ± 0.0050 X.XXXX ± 0.0005	
1	1	1 OF 1	3/29/2013	D. RICHARDSON	0	WORK ORDER NUMBER DRAWING NUMBER	
TITLE					DOGHOUSE INSTALLATION GROUP		88A124-01