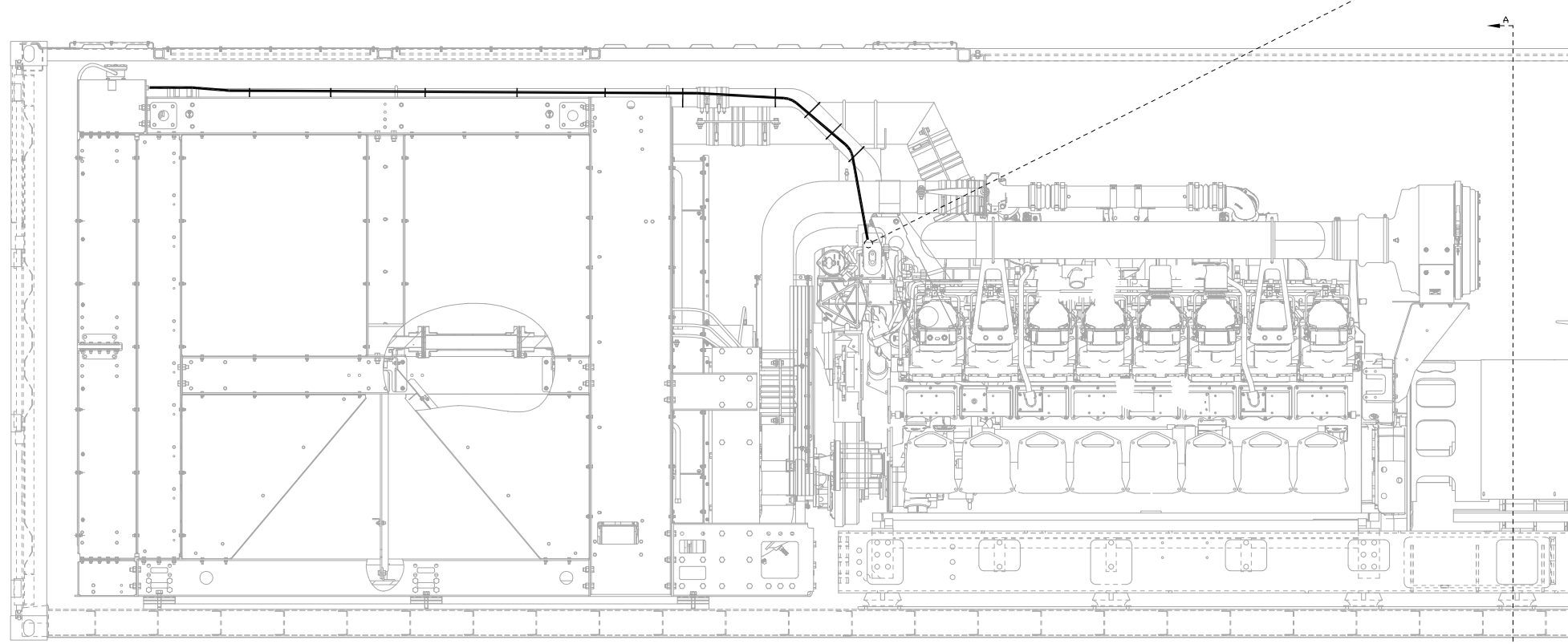
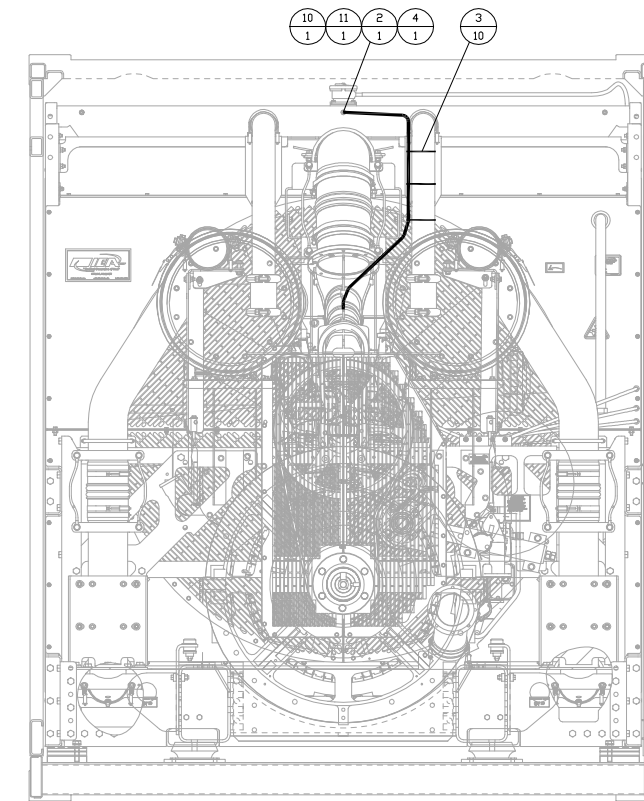
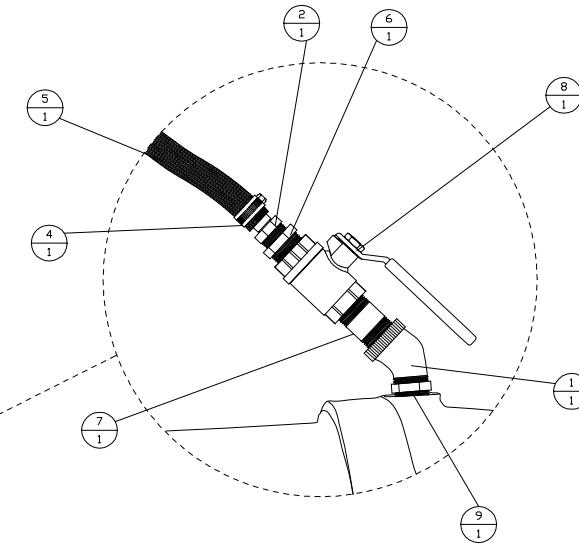


TOP VIEW (ROUTING OF VENT HOSE)



CURBSIDE VIEW (ROUTING OF VENT HOSE)

ITEM	QTY.	P/N	DESCRIPTION
1	1	66242-3/8"	CLASS 150 SCHD. 40-45° ELBOW-BLACK MALL.-STREET
2	2	69928	NIPPLE-STRAIGHT ADAPTER - 3/8" HOSE-1/4" NPT
3	10	7K-1181	STRAP-CABLE
4	2	262-0491	CLAMP-WORM DRIVE
5	400CM	5P-1442	BULK HOSE-1/4" I.D. (152.00" LG.)
6	1	PHB1438-3/8"-1/4"	REDUCER BUSHING
7	1	PNPL38C-3/8"x1"	CLOSE NIPPLE
8	1	223-5916	BALL VALVE-3/8"
9	1	3B-7255-1/2"	NPT-MALE TO 3/8" NPT FEMALE REDUCING BUSHING
10	1	PP14C-1/4"	NPT COUPLING
11	1	PPL146-1/4"x6"	NPT PIPE NIPPLE



SECTION A-A VIEW

02-17-14 JAM DATE BY		<b>ALTORFER</b>		<b>ALTORFER POWER SYSTEMS</b>	
		6315 W. FAUBER RD. BARTONVILLE, IL 61607		PHONE (309) 697-1234 FAX (309) 282-7546	
THIS DOCUMENT CONTAINS PROPRIETARY INFORMATION OF ALTORFER, INC. WITHOUT THE WRITTEN PERMISSION OF ALTORFER, INC., ANY COPYING OR OTHER USE EXCEPT THAT FOR WHICH IT WAS INTENDED IS PROHIBITED.		FILE		PROJECT REFERENCE	
ALL DIMENSIONS IN INCHES UNLESS OTHERWISE SPECIFIED		DF/88A		APS2000	
TOLERANCES: X.X ± 0.100 X.XX ± 0.060 X.XXX ± 0.005		THIRD ANGLE PROJECTION		SCALE/SHEET SIZE 1=15/D	
CHANGE NOTICE		SHEET		DRAWN BY JAM	
1		1 OF 1		DATE 05-15-13	
TITLE		VENT LINE GROUP-ENGINE COOLANT		QUOTE NUMBER -	
				WORK ORDER NUMBER -	
				DRAWING NUMBER 88A112-1	