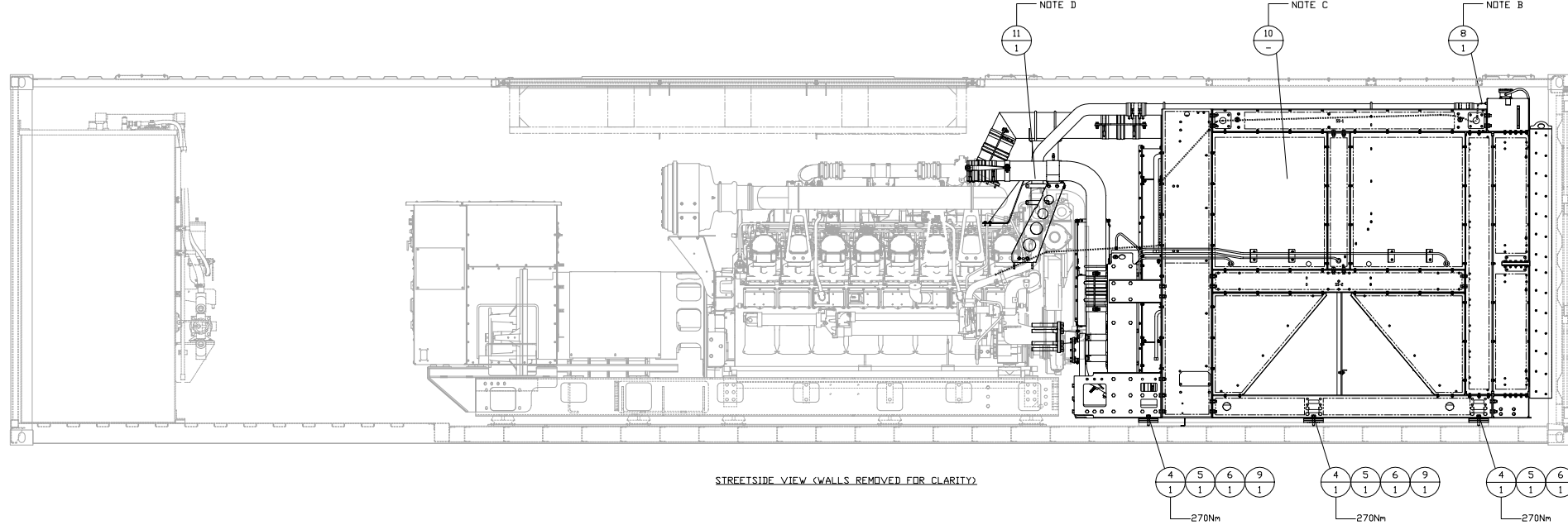
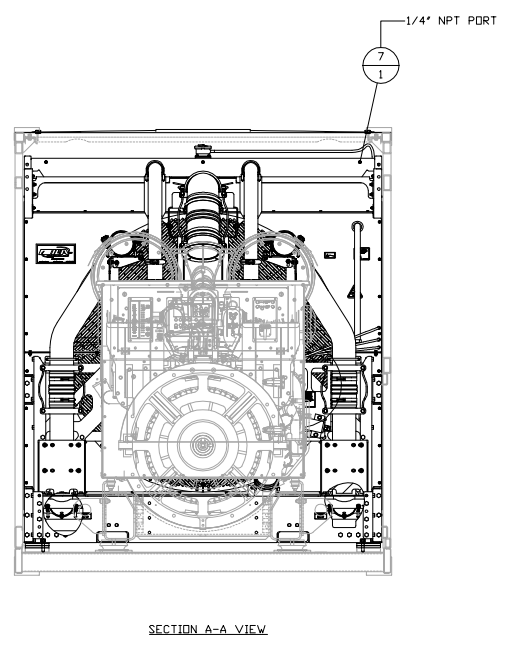
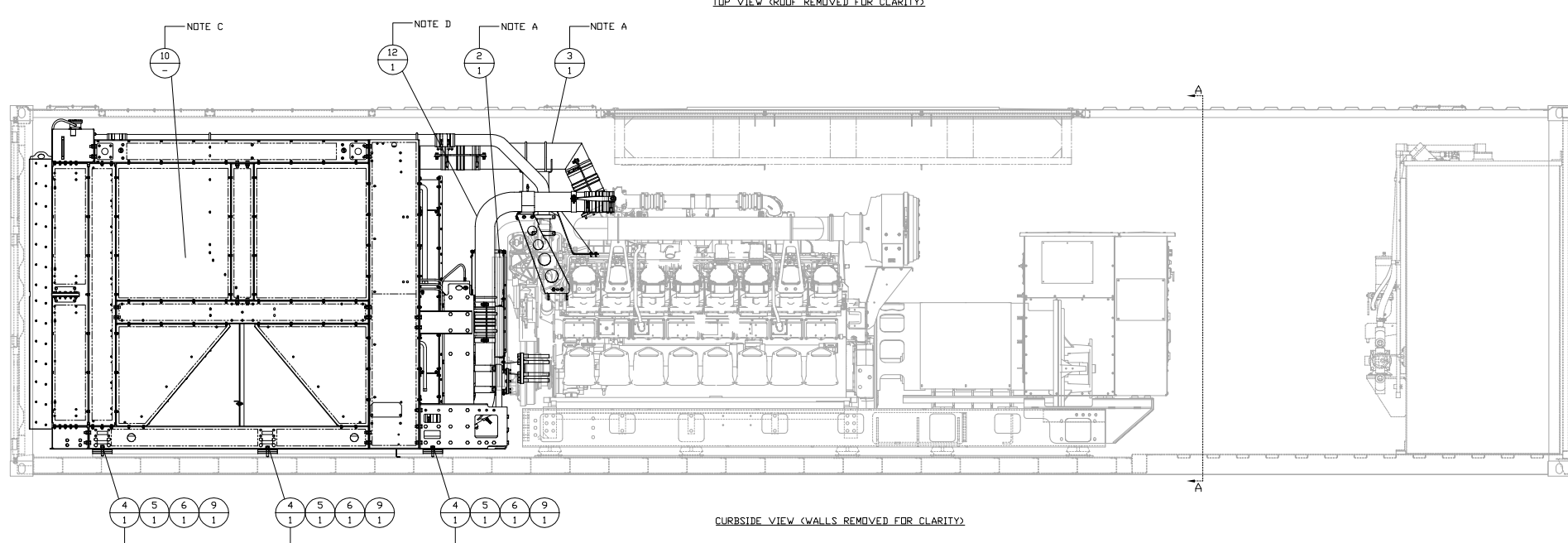
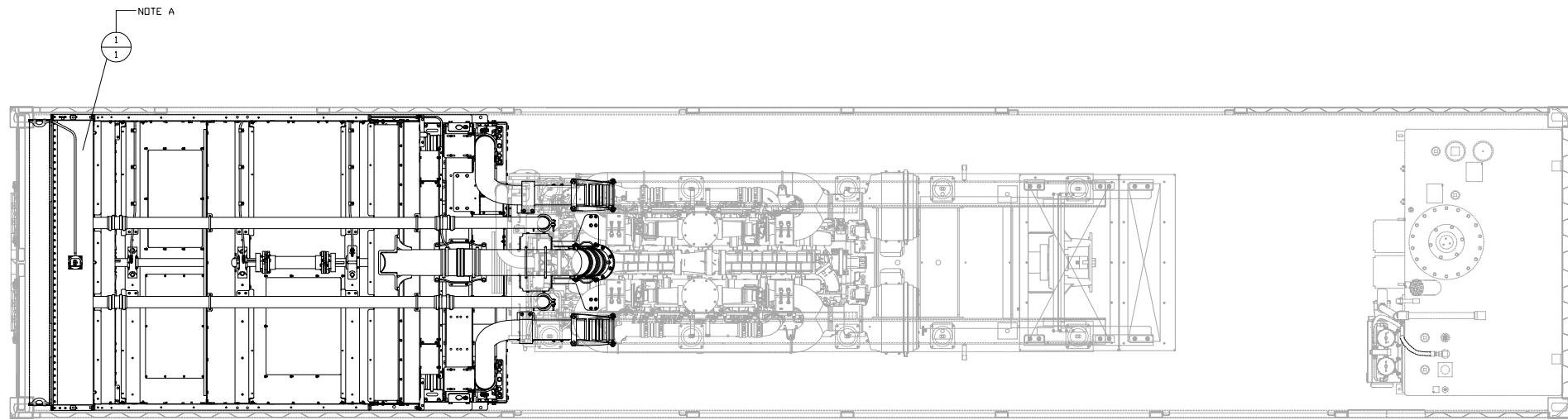


ITEM	QTY.	P/N	DESCRIPTION
1	1	ECCX44-46S03-IEA	- RADIATOR 9DJ6/CAC FC/1SD 3516C INSTALL
2	1	9804195-IEA	- GUARD BELT ASSY ECCX
3	1	9806046-IEA	- CDNN JW/CAC GRP - 46F/3516C/ECCX
4	6	7X-2554	(BOLT M16-2.0 X 70MM / CLASS 10.9)
5	6	9X-8257	(WASHER - FLAT M16 / CLASS 10.9)
6	6	SP-NRC-STYLE A-SIM. TO EU-14 WITH 5/8" SMOOTH HOLE-VIB. DAMPER	
7	1	453-5609	- SENSOR
8	1	88E175	- HARNESS-COOLANT LOSS
9	6	3B-4510	(WASHER - LOCK 5/8"-M16 / GRADE 8)
10	1	88D111	- RADIATOR SHROUD SOUND ATTENUATION GROUP
11	1	9611233-RHS	W/BRACKET - INSULTECH PIPE BLANKET
12	1	9611234-LHS	W/BRACKET - INSULTECH PIPE BLANKET



NOTE A: REFERENCE IEA RADIATOR INSTALLATION DRAWINGS.
 NOTE B: HARNESS SHALL BE ROUTED IN SEALTITE AND TY-WRAPPED TO RADIATOR STRUCTURE. INSTALL HARNESS PRIOR TO SLIDING INTO CONTAINER.
 NOTE C: INSTALL SOUND ATTENUATION PANELS PRIOR TO MOUNTING RADIATOR INSIDE CONTAINER.
 NOTE D: BLANKET INSULATION RECEIVED IN RADIATOR KIT

<p>11-10-15 JAN</p> <p>02-12-14 JAN</p>		<p>ALTORFER</p> <p>6315 W. FAUBER RD. BARTONVILLE, IL 61607</p> <p>PHONE (309) 697-1234 FAX (309) 282-7546</p>	
<p>ITEMS 4 & 5 & 9</p>		<p>PROJECT REFERENCE</p> <p>APS2000</p>	
<p>ADD ITEMS 11&12</p>		<p>THIS DOCUMENT CONTAINS PROPRIETARY INFORMATION OF ALTORFER, INC. WITHOUT THE WRITTEN PERMISSION OF ALTORFER, INC., ANY COPYING OR OTHER USE EXCEPT THAT FOR WHICH IT WAS INTENDED IS PROHIBITED.</p>	
<p>CHANGE NOTICE</p>		<p>FILE</p> <p>DF/88A</p>	
<p>TOLERANCES: X.X ± 0.100 X.XX ± 0.060 X.XXX ± 0.005</p>		<p>SCALE/SHEET SIZE</p> <p>1=25/D</p>	
<p>ANGULAR ± 1'</p>		<p>THIRD ANGLE PROJECTION</p> <p>SHEET</p>	
<p>TITLE</p> <p>RADIATOR MOUNTING GROUP</p>		<p>DRAWN BY</p> <p>JAM</p>	
<p>NO.</p>		<p>DATE</p> <p>05-13-13</p>	
<p>1</p>		<p>WORK ORDER NUMBER</p> <p>-</p>	
<p>1</p>		<p>DRAWING NUMBER</p> <p>88A110-2</p>	