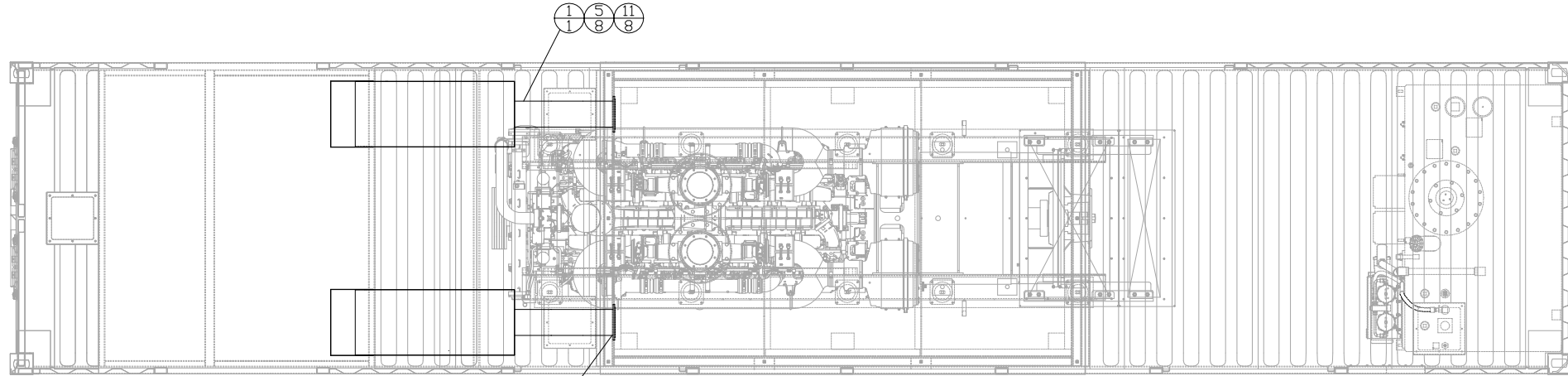
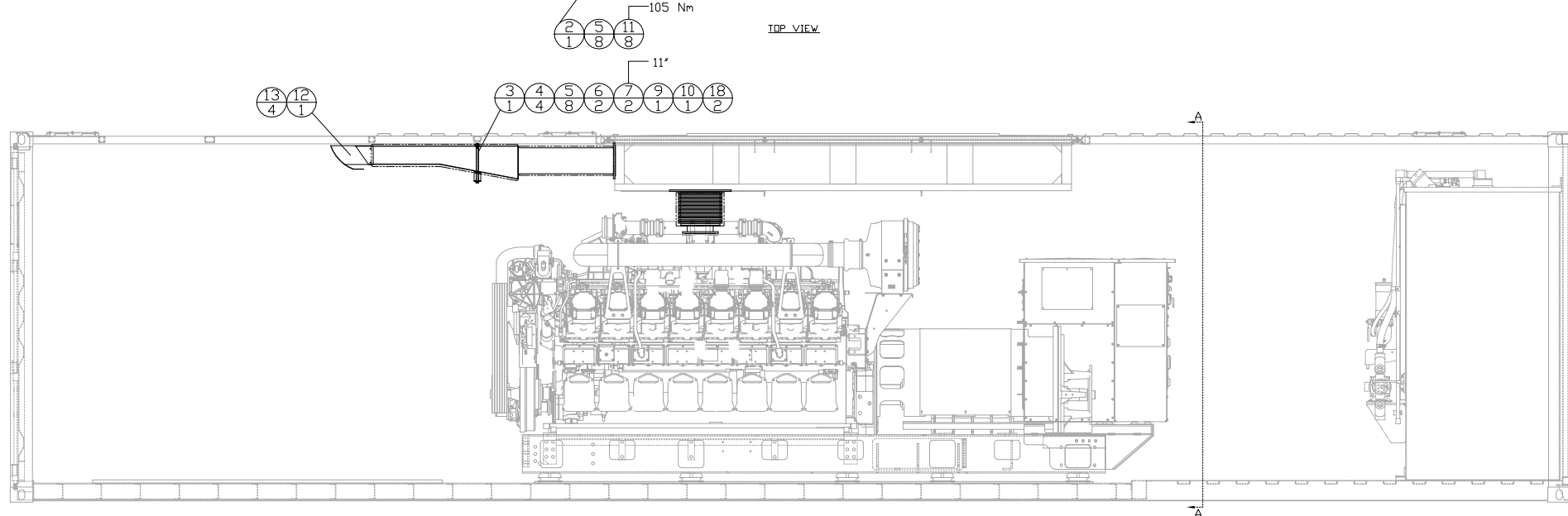


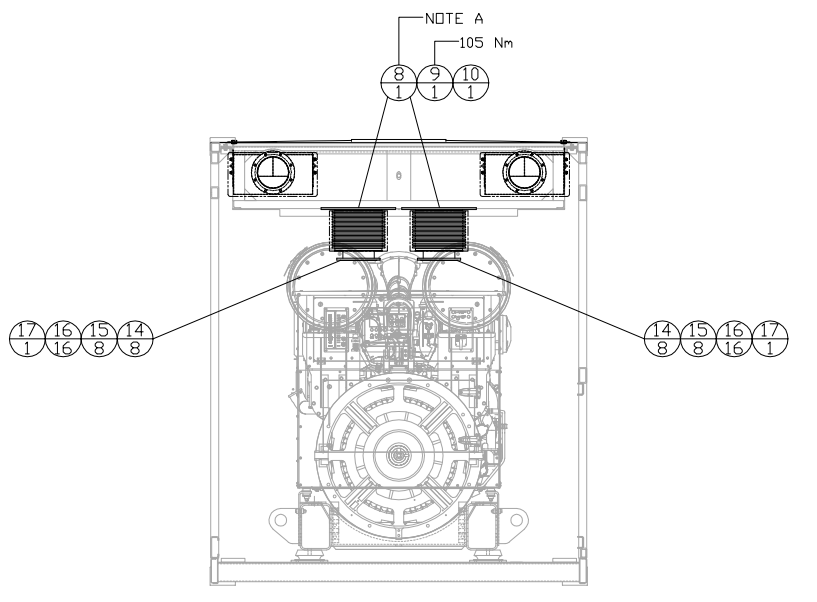
ITEM	QTY.	P/N	DESCRIPTION
1	1	STK-08X-90017313	EXHAUST DEFLECTOR ASSEMBLY- RIGHT HAND
2	1	STK-08X-90017314	EXHAUST DEFLECTOR ASSEMBLY- LEFT HAND
3	2	88C172-1	STEEL SUPPORT PLATE
4	4	H-ROD	3/8"-16 X 11.5' LENGTH THREADED ROD
5	32	SP-1076	WASHER FLAT-1/2"
6	4	201-4324	3/8-16 THD SPRING NUT
7	72.00'	288-3867	1/2" CONDUIT (SPACER) - BULK
8	2	BEL-12X-9001732	BELLOWS: D.D.12.00" CAFLO8-13.50-TFL12
9	2	BNGCT-08-BOLT, NUT & GASKET KIT	(BELLOWS TO ENGINE CONNECTION)
10	1	INSULTECH	BLANKET INSULATION GROUP (BOXES, 8" PIPES & BELLOWS)
11	16	8T-4835	1/2"-13X2.00LG BOLT
12	2	88C177	EXTENSION DIVERTER
13	8	KB100	1/4"-20X1.00 LG. WHIZ BOLT
14	16	8T-2501	3/8"-16 THD X 2.00 LG. ZINC PLATED BOLT
15	16	6V-8901	3/8"-16 THD ZINC PLATED NUT
16	32	8T-4896	3/8" FLAT WASHER (HARD)
17	2	245-3512	8" HIGH TEMP CAT GASKET
18	4	112-8989	SPACER



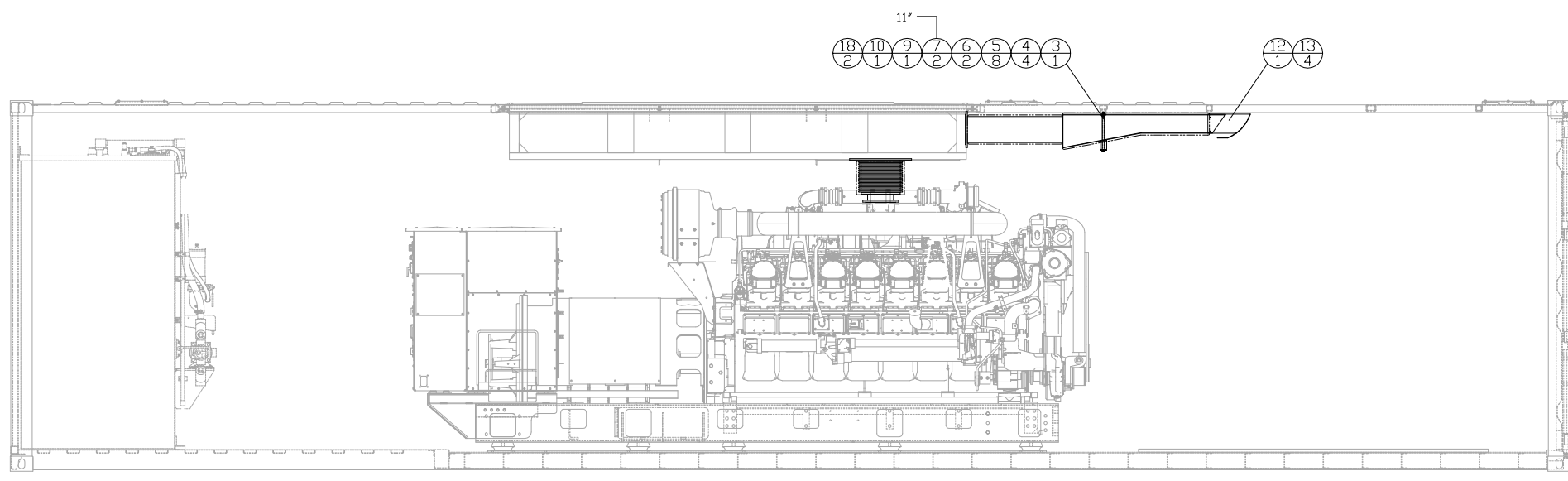
TOP VIEW



CURBSIDE VIEW (WALLS REMOVED FOR CLARITY)



SECTION A-A VIEW



STREETSIDE VIEW (WALLS REMOVED FOR CLARITY)

NOTE A: ALL ITEMS #1,#2,#8,#9,#10 WILL BE RECEIVED IN SILENCER SHIP LOOSE KIT.

02-14-14 DATE		ALTORFER		ALTORFER POWER SYSTEMS	
		6315 W. FAUBER RD. BARTONVILLE, IL 61607		PHONE (309) 697-1234 FAX (309) 282-7546	
1 ITEMS #8,#7,#10 CHANGE NOTICE	THIS DOCUMENT CONTAINS PROPRIETARY INFORMATION OF ALTORFER, INC. WITHOUT THE WRITTEN PERMISSION OF ALTORFER, INC., ANY COPYING OR OTHER USE EXCEPT THAT FOR WHICH IT WAS INTENDED IS PROHIBITED.		FILE		PROJECT REFERENCE
	ALL DIMENSIONS IN INCHES UNLESS OTHERWISE SPECIFIED		DF/88A	APS2000	
	TOLERANCES: X.X ± 0.100 X.XX ± 0.060 X.XXX ± 0.005	THIRD ANGLE PROJECTION	SCALE/SHEET SIZE 1=25/D	DRAWN BY JAM	QUOTE NUMBER -
	ANGULAR ± 1'		SHEET 1 OF 1	DATE 05-05-13	WORK ORDER NUMBER -
2 REV.	TITLE EXHAUST EXTENSION MOUNTING GROUP			DRAWING NUMBER 88A105-1	