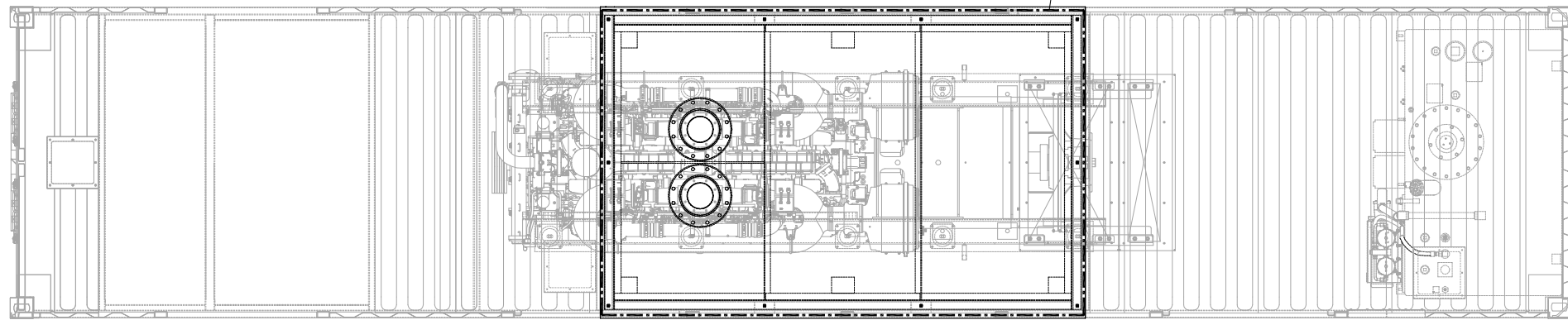


ITEM	QTY.	P/N	DESCRIPTION
1	1	RHK-08X-90017311	- P11 - HOSPITAL GRADE EXHAUST SILENCER
2	10	5P-1076	- WASHER FLAT-1/2"
3	10	8T-8917	- BOLT-1/2"-13 THD X 1.25" LG.
4	2	732-300	- HIGH TEMP. SEALANT - BLACK
5	3	8645K61	- 3/4"WX1/4"T HIGH TEMP. SELF-ADHESIVE SEALANT STRIP

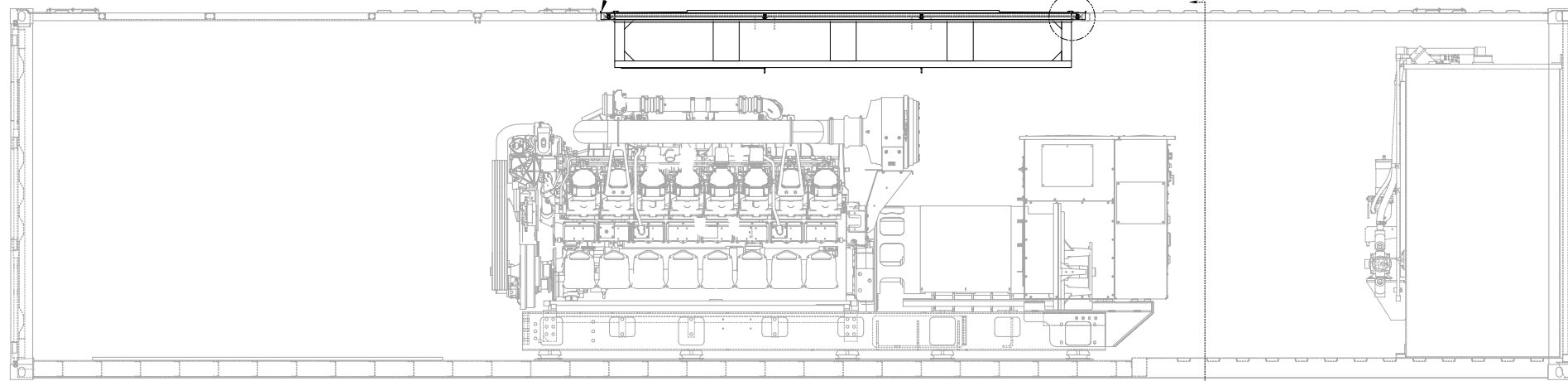
INSTALL ON TUBULAR STEEL FRAMING AROUND OPENING



TOP VIEW

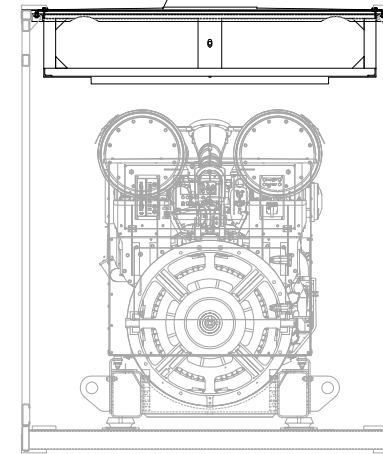
APPLY HIGH TEMP. SEALANT TO TOP OF RAIL AROUND FRAMED OPENING WHERE SKIN OF SILENCER BEARS ON STRUCTURE.

SEE DETAIL B



CURBSIDE VIEW (WALLS REMOVED FOR CLARITY)

NOTE A



SECTION A-A VIEW

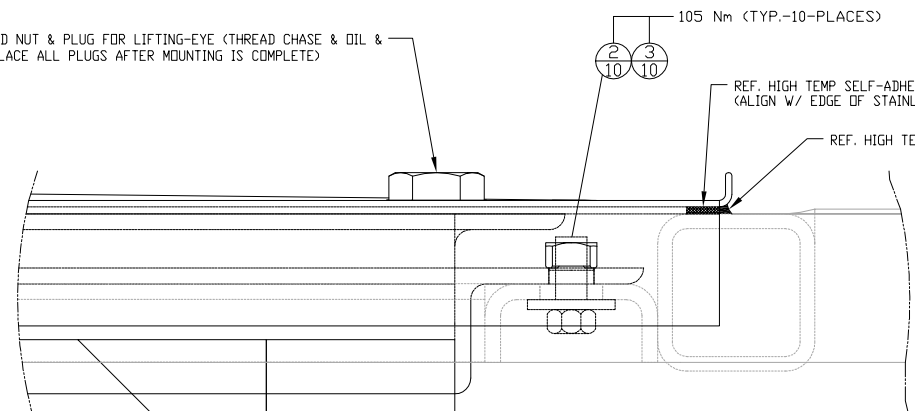
WELD NUT & PLUG FOR LIFTING-EYE (THREAD CHASE & OIL & REPLACE ALL PLUGS AFTER MOUNTING IS COMPLETE)

105 Nm (TYP.-10-PLACES)



REF. HIGH TEMP SELF-ADHESIVE SEALANT STRIP (ALIGN W/ EDGE OF STAINLESS STEEL ROOF EDGE)

REF. HIGH TEMP SEALANT (BLACK)



DETAIL B
NTS

NOTE A: APPLY HIGH TEMP. SEALANT ON TOP SKIN OF EXHAUST SILENCER BETWEEN STITCH WELDS.

DATE		BY		FILE		PROJECT REFERENCE	
04-11-14	JAM	DATE	BY	DF/88A	DF/88A	APPS2000	APPS2000
<p>THIS DOCUMENT CONTAINS PROPRIETARY INFORMATION OF ALTORFER, INC. WITHOUT THE WRITTEN PERMISSION OF ALTORFER, INC., ANY COPYING OR OTHER USE EXCEPT THAT FOR WHICH IT WAS INTENDED IS PROHIBITED.</p>				<p>ALL DIMENSIONS IN INCHES UNLESS OTHERWISE SPECIFIED</p>		<p>SCALE/SHEET SIZE</p>	
<p>TOLERANCES: X.X ± 0.100 X.XX ± 0.060 X.XXX ± 0.005</p>		<p>THIRD ANGLE PROJECTION</p>		<p>1=25/D</p>		<p>DRAWN BY JAM</p>	
<p>ANGULAR ± 1°</p>				<p>SHEET</p>		<p>DATE 05-01-13</p>	
<p>1 OF 1</p>		<p>1 OF 1</p>		<p>WORK ORDER NUMBER</p>		<p>DRAWING NUMBER</p>	
<p>TITLE EXHAUST SILENCER MOUNTING GROUP</p>							<p>88A104-1</p>