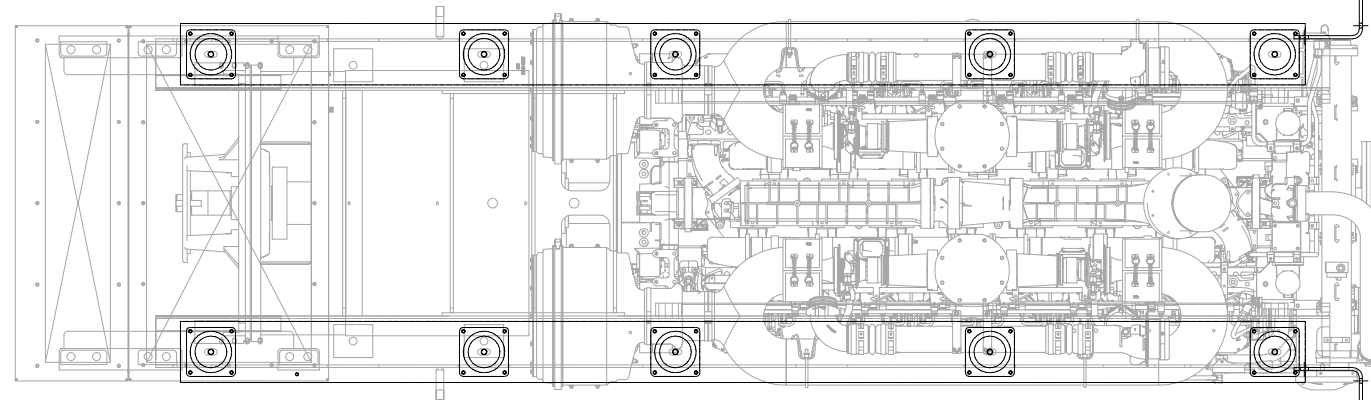
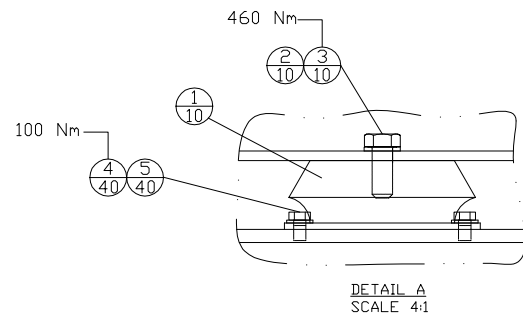


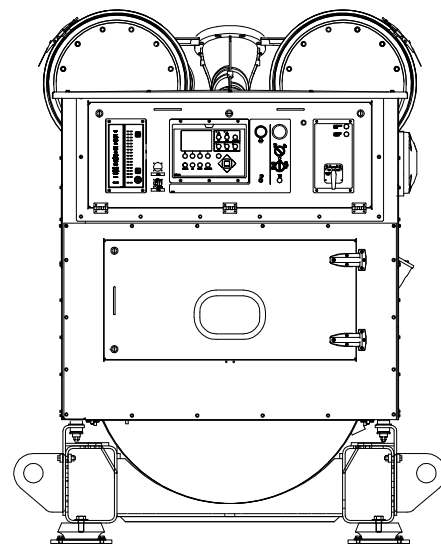
ITEM	QTY.	P/N	DESCRIPTION
1	10	308-4542	ISOLATOR-MOUNTING
2	16	8T-5439	WASHER
3	10	8T-6430	BOLT-M20X2.5
4	40	8T-4179	BOLT-M12X1.75
5	40	SP-1076	WASHER-HARD
6	6	8T-4131	NUT-M20



TOP VIEW

REF. 88C188 - SEE NOTE A

REF. 88C188 - SEE NOTE A

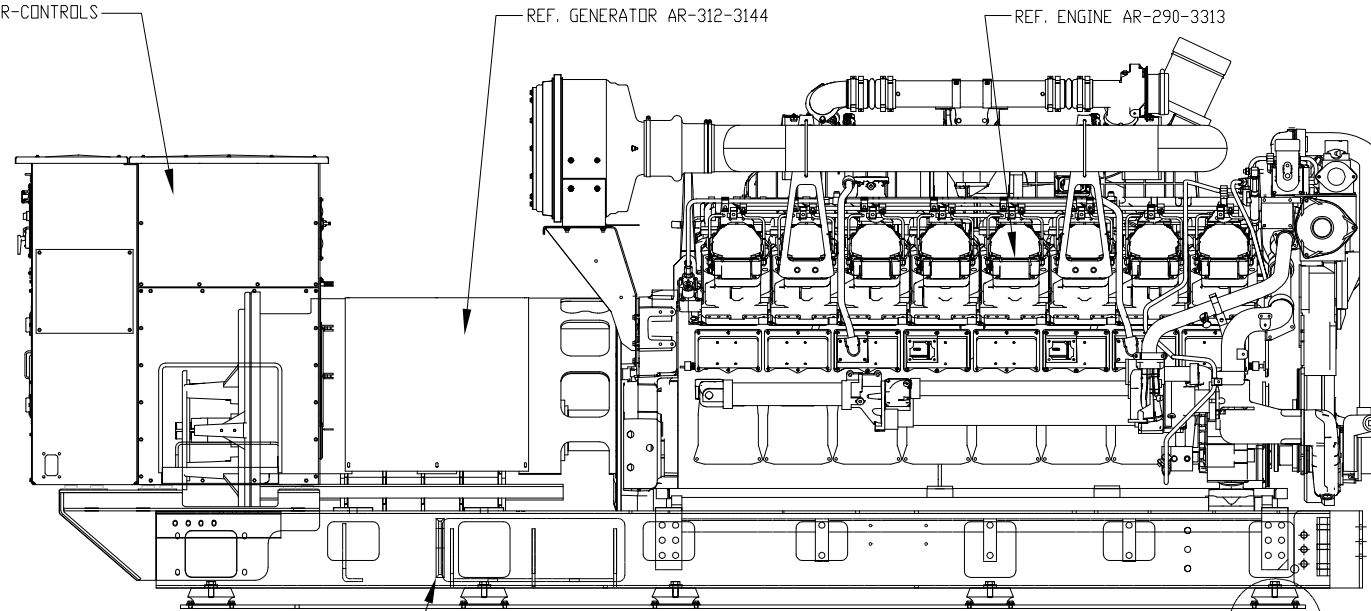


FRONT VIEW

REF. 88A124 -INSTALL AR-CONTROLS

REF. GENERATOR AR-312-3144

REF. ENGINE AR-290-3313



REF. 236-1315 -RAILBASE ASSEMBLY

SEE DETAIL A

STREETSIDE VIEW

NOTE A: 88C188-L-BRACKETS SHALL BE RECEIVED IN THIS GROUP AND INSTALLED AFTER ISOLATORS ARE SECURED. THEY SHALL BE REMOVED AFTER RADIATOR IS MOUNTED TO GENSET AND REUSED ON THE NEXT PROJECT.

07/03/14 DATE		BY		<b>ALTORFER POWER SYSTEMS</b> 6315 W. FAUBER RD. PHONE (309) 697-1234 BARTONVILLE, IL 61607 FAX (309) 282-7546	
1	REMOVED HARDWARE #1 & #2	THIS DOCUMENT CONTAINS PROPRIETARY INFORMATION OF ALTORFER, INC. WITHOUT THE WRITTEN PERMISSION OF ALTORFER, INC., ANY COPYING OR OTHER USE EXCEPT THAT FOR WHICH IT WAS INTENDED IS PROHIBITED.		PROJECT REFERENCE	
		ALL DIMENSIONS IN INCHES UNLESS OTHERWISE SPECIFIED		FILE	APS2000
2	CHANGE NOTICE	TOLERANCES	THIRD ANGLE PROJECTION	SCALE/SHEET SIZE	DRAWN BY
		X.X ± 0.100	PROJECTION	1=15/D	JAM
		X.XX ± 0.060	ANGULAR ± 1'	SHEET	DATE
TITLE		1 OF 1	04-30-13	WORK ORDER NUMBER	DRAWING NUMBER
GENSET MOUNTING GROUP				88A103-1	