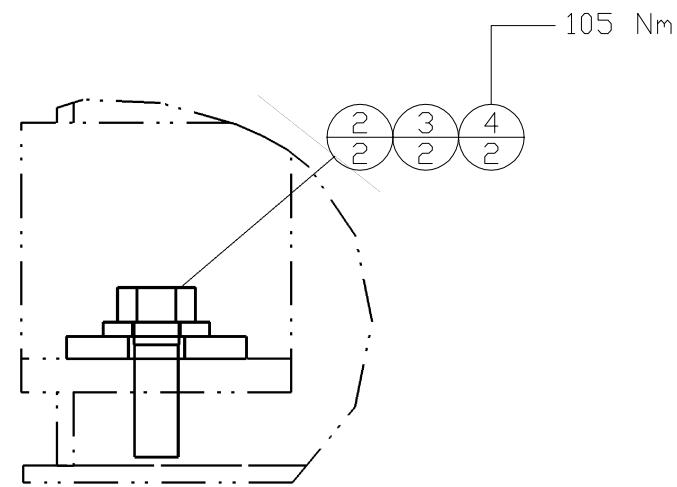
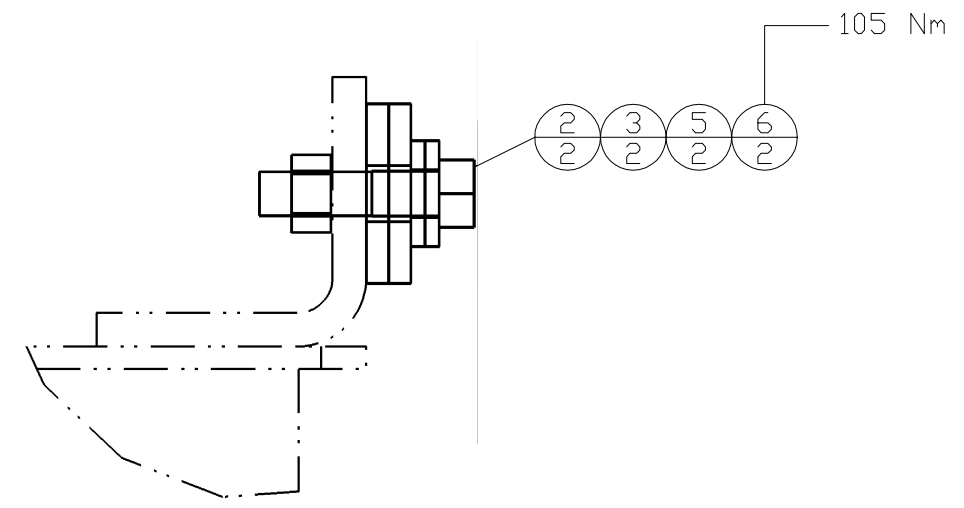


INCH 88A102

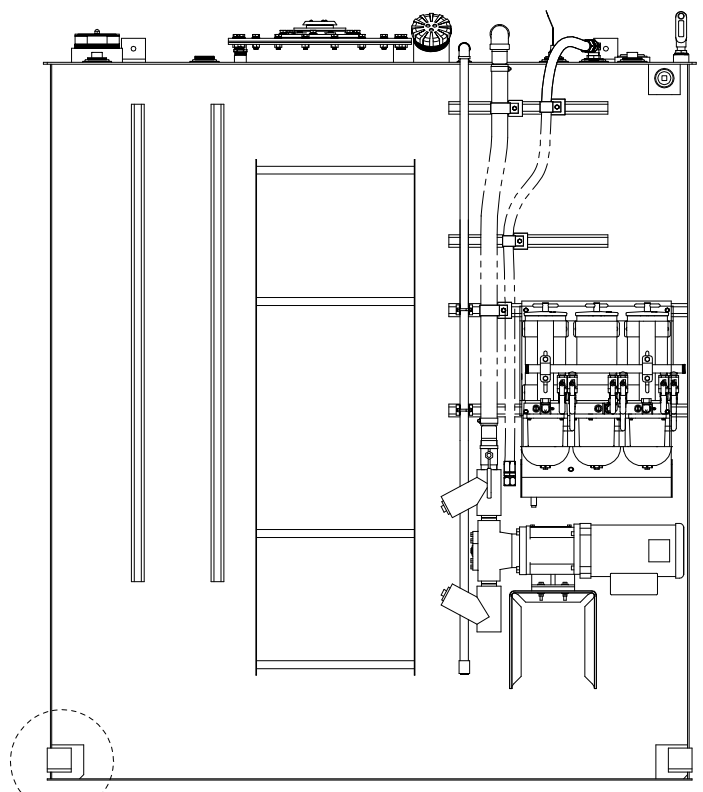
ITEM	QTY.	P/N	DESCRIPTION
1	1	88B100	FUEL TANK SUB-ASSEMBLY
2	6	112-8989	SPACER
3	6	5P-1076	WASHER-HARD
4	2	5P-2566	BOLT-1/2"-13 THD
5	2	6V-8188	NUT-FULL 1/2"-13 THD
6	2	8T-4835	BOLT-1/2"-13 THD



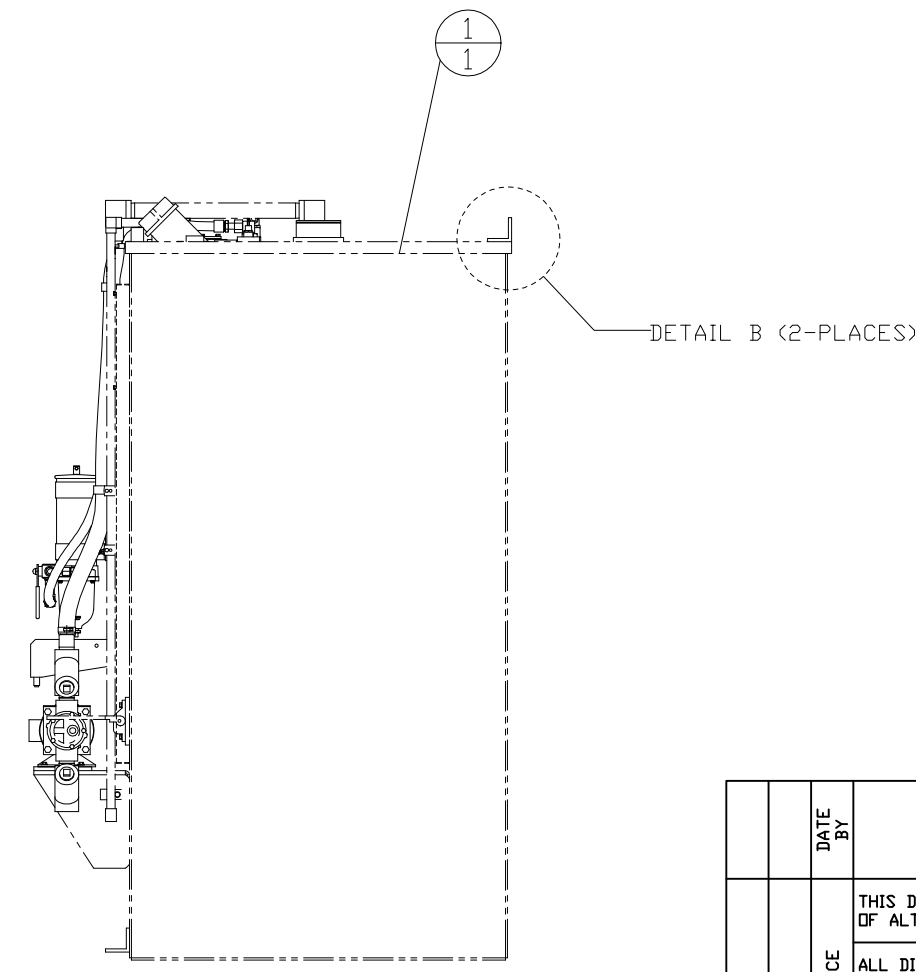
DETAIL A



DETAIL B



DETAIL A (2-PLACES)



DETAIL B (2-PLACES)

CHANGE NOTICE		DATE BY		<b>ALTORFER POWER SYSTEMS</b> 6315 W. FAUBER RD.      PHONE (309) 697-1234 BARTONVILLE, IL 61607      FAX (309) 282-7546	
		THIS DOCUMENT CONTAINS PROPRIETARY INFORMATION OF ALTORFER, INC. WITHOUT THE WRITTEN PERMISSION OF ALTORFER, INC., ANY COPYING OR OTHER USE EXCEPT THAT FOR WHICH IT WAS INTENDED IS PROHIBITED			
ALL DIMENSIONS IN INCHES UNLESS OTHERWISE SPECIFIED		FILE	PROJECT REFERENCE		
TOLERANCES: X.X ± 0.100 X.XX ± 0.060 X.XXX ± 0.005		DF/88A	APS2000		
THIRD ANGLE PROJECTION		SCALE/SHEET SIZE	DRAWN BY		QUOTE NUMBER
ANGULAR ± 1°		1=25/B	JAM		-
TITLE		SHEET	DATE		WORK ORDER NUMBER
FUEL TANK MOUNTING GROUP		1 OF 1	04-30-13		-
2		1	3		DRAWING NUMBER
					88A102