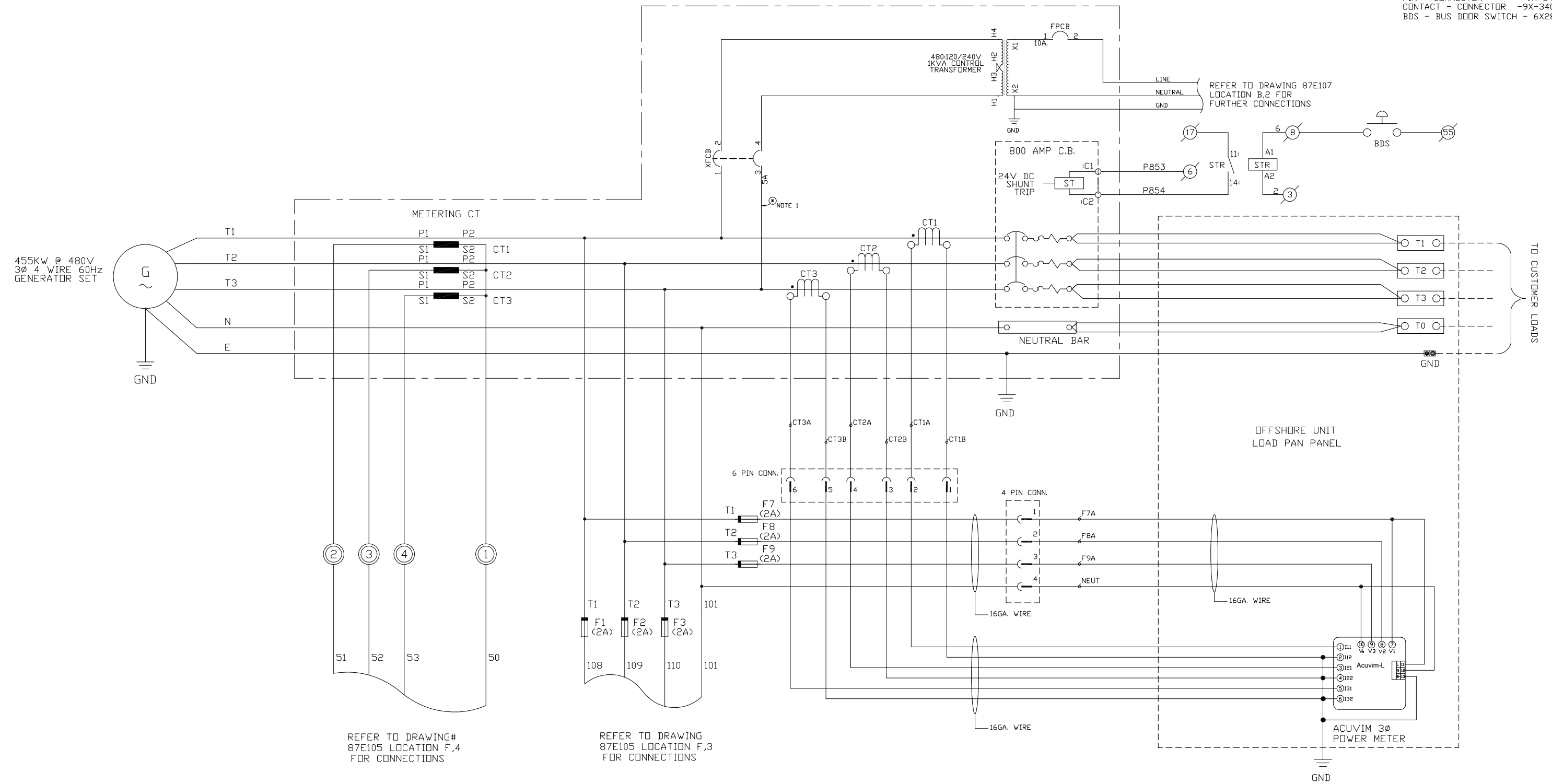


- XFCB - 5 AMP 2 POLE - 224-0747
- FPCB - 10 AMP 1 POLE - 125-9962
- 4 PIN PLUG - 155-2272
- 4 PIN RECEPTACLE - 102-8804
- 6 PIN PLUG - 155-2273
- 6 PIN RECEPTACLE - 102-8805
- PIN - CONNECTOR - 9X-3401
- CONTACT - CONNECTOR - 9X-3402
- BDS - BUS DOOR SWITCH - 6X288



REFER TO DRAWING# 87E105 LOCATION F,4 FOR CONNECTIONS

REFER TO DRAWING 87E105 LOCATION F,3 FOR CONNECTIONS

NOTE 1: T1 & T3 FOR CONTROL TRANSFORMER CONNECTED TO GENERATOR BUS T1, T3.

REV	DATE	BY	ALTORFER POWER SYSTEMS 6315 W. FAUBER RD. PHONE (309) 697-1234 BARTONVILLE, IL 61607 FAX (309) 282-7546	
THIS DOCUMENT CONTAINS PROPRIETARY INFORMATION OF ALTORFER, INC. WITHOUT THE WRITTEN PERMISSION OF ALTORFER, INC., ANY COPYING OR OTHER USE EXCEPT THAT FOR WHICH IT WAS INTENDED IS PROHIBITED.			FILE	PROJECT REFERENCE
ALL DIMENSIONS IN INCHES UNLESS OTHERWISE SPECIFIED			DF/87E	AMP500 OFFSHORE POWER MODULE
TOLERANCES: X.X ± 0.100 THIRD ANGLE PROJECTION SHEET 1 OF 1			SCALE/SHEET SIZE	DRAWN BY
ANGULAR ± 1°			1=1/D	D. ROLING
ADD BUS DOOR SWITCH CHANGE NOTICE			DATE	WORK ORDER NUMBER
TITLE			06/06/2013	-
EMCP 4.2 GENERATOR AC SCHEMATIC			DRAWING NUMBER	
1			87E160-01	