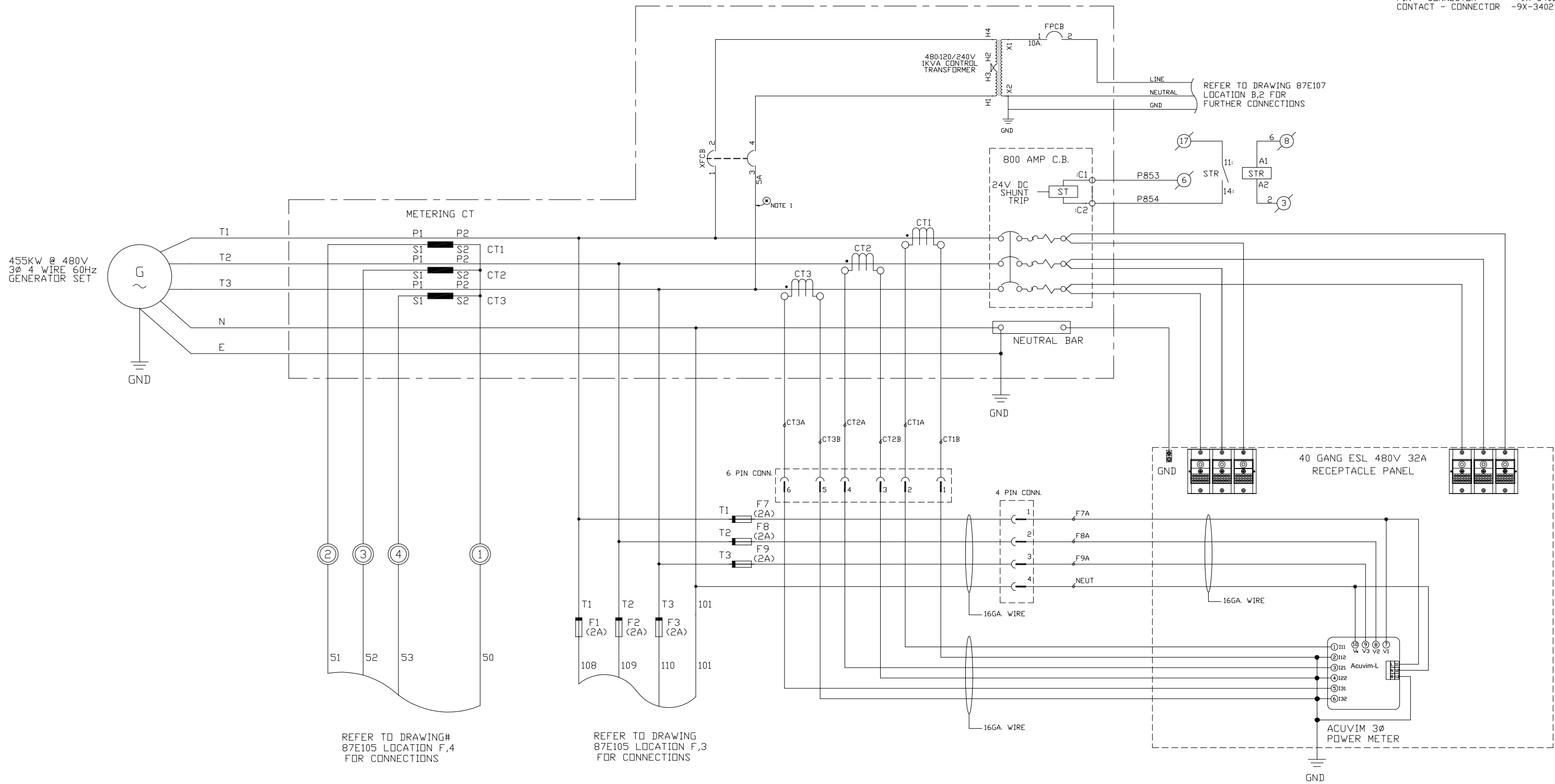


- XFCB - 5 AMP 2 POLE - 224-0747
- FPCB - 10 AMP 1 POLE - 125-9962
- 4 PIN PLUG - 155-2272
- 4 PIN RECEPTACLE - 102-8804
- 6 PIN PLUG - 155-2273
- 6 PIN RECEPTACLE - 102-8805
- PIN - CONNECTOR - 9X-3401
- CONTACT - CONNECTOR - 9X-3402



REFER TO DRAWING# 87E105 LOCATION F,4 FOR CONNECTIONS

REFER TO DRAWING 87E105 LOCATION F,3 FOR CONNECTIONS

NOTE 1: T1 & T3 FOR CONTROL TRANSFORMER CONNECTED TO GENERATOR BUS T1, T3.

		ALTORFER POWER SYSTEMS 6315 W. FAUBER RD. PHONE (309) 697-1234 BARTONVILLE, IL 61607 FAX (309) 282-7546	
THIS DOCUMENT CONTAINS PROPRIETARY INFORMATION OF ALTORFER, INC. WITHOUT THE WRITTEN PERMISSION OF ALTORFER, INC., ANY COPYING OR OTHER USE EXCEPT THAT FOR WHICH IT WAS INTENDED IS PROHIBITED.	FILE DF / 87E	PROJECT REFERENCE AMP500 MARITIME MODULE	
ALL DIMENSIONS IN INCHES UNLESS OTHERWISE SPECIFIED	SCALE/SHEET SIZE 1=1/D	DRAWN BY D. ROLING	QUOTE NUMBER -
TOLERANCES: X.X ± 0.100 X.XX ± 0.050 X.XXX ± 0.005	THIRD ANGLE PROJECTION SHEET 1 OF 1	DATE 10/22/2012	WORK ORDER NUMBER -
ANGLUAR ± 1'	TITLE EMCP 4.2 GENERATOR AC SCHEMATIC	DRAWING NUMBER 87E106-01	