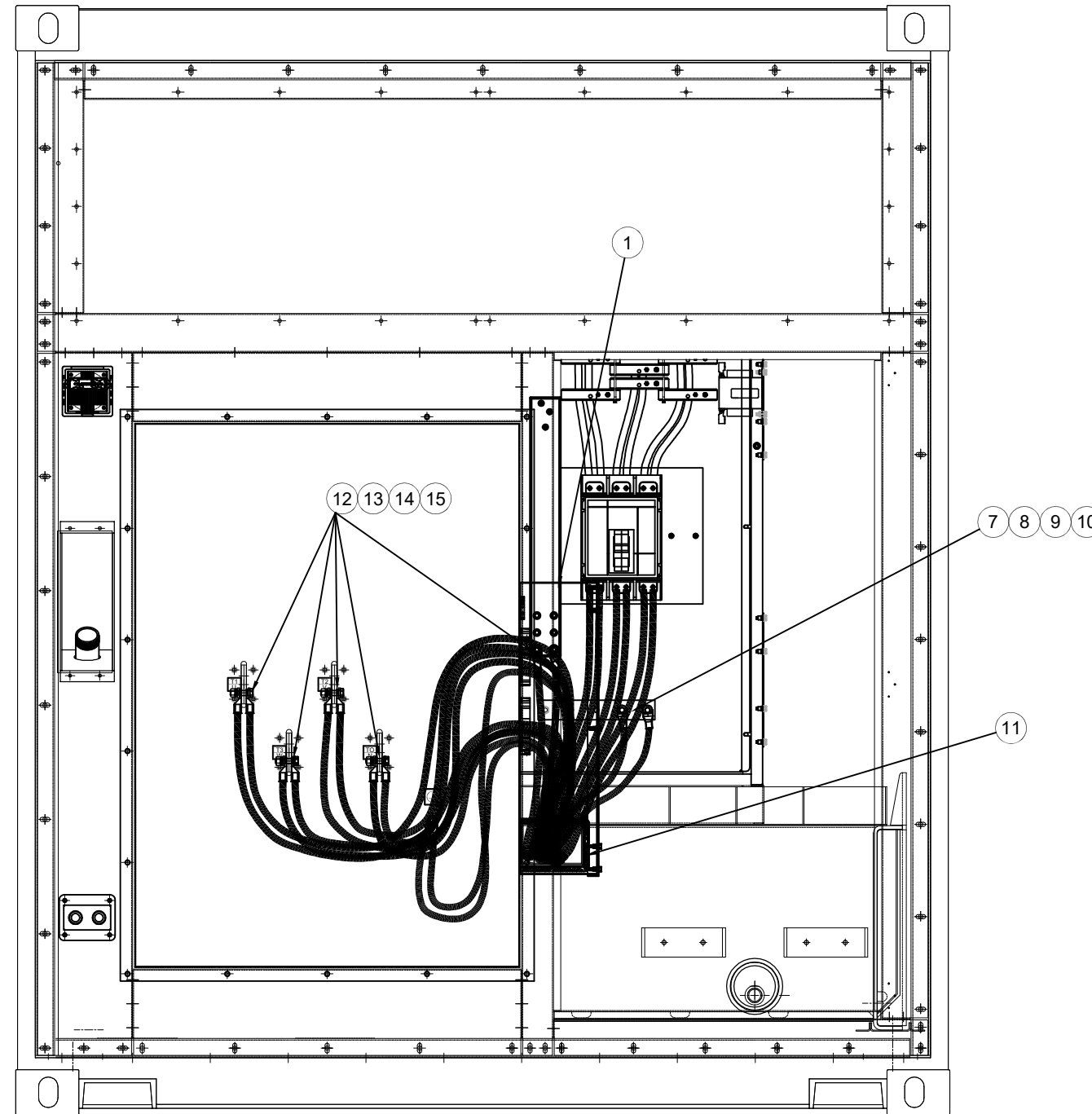


INCH 87A254-00



Rear

ITEM	QTY.	PART NUMBER	DESCRIPTION
1	1	87E122	RACEWAY TRANSITION BOX GROUP
2	1	87E140	LOAD PAN CABLE CONNECTION GROUP
3	1	87E127	E-STOP HARNESS
4	1	87E128	LOW FUEL LIGHT HARNESS
5	1	87E129	HIGH FUEL LIGHT HARNESS
6	2	87E130	FUEL GAUGE AND SWITCH HARNESS
7	2	9B-7237	3/8"-16 X 1-1/4" BOLT
8	2	6V-8801	3/8"-16 NUT
9	4	8T-4896	3/8" FLAT WASHER
10	2	3B-4506	3/8" LOCK WASHER
11	1	87E133	CABLE TROUGH INSULATION RUBBER
12	10	8T-4835	BOLT - 1/2"-13 X 2"
13	20	8T-4223	1/2" FLAT WASHER
14	10	3B-4508	1/2" LOCK WASHER
15	10	6V-8188	1/2"-13 NUT

NOTE:  
ITEMS 3, 4, 5, & 6 NOT SHOWN.

DATE BY				<b>ALTORFER POWER SYSTEMS</b> 6315 W. FAUBER RD.      PHONE (309) 697-1234 BARTONVILLE, IL 61607      FAX (309) 282-7546		
				THIS DOCUMENT CONTAINS PROPRIETARY INFORMATION OF ALTORFER, INC. WITHOUT THE WRITTEN PERMISSION OF ALTORFER, INC., ANY COPYING OR OTHER USE EXCEPT THAT FOR WHICH IT WAS INTENDED IS PROHIBITED		
CHANGE NOTICE	NO.	ALL DIMENSIONS IN INCHES UNLESS OTHERWISE SPECIFIED		FILE	PROJECT REFERENCE	
				DF/87A	AMP500 OFFSHORE POWER MODULE	
		TOLERANCES: X.X ± 0.100 X.XXX ± 0.060 X.XXX ± 0.005	THIRD ANGLE PROJECTION	SCALE/SHEET SIZE 1=1.5"	DRAWN BY D. ROLING	QUOTE NUMBER -
		ANGULAR ± 1°		SHEET 1 OF 1	DATE 05/20/2013	WORK ORDER NUMBER -
TITLE		MOUNTING GROUP - CONNECTION (LOAD PAN ELECTRICAL)			DRAWING NUMBER 87A254-00	