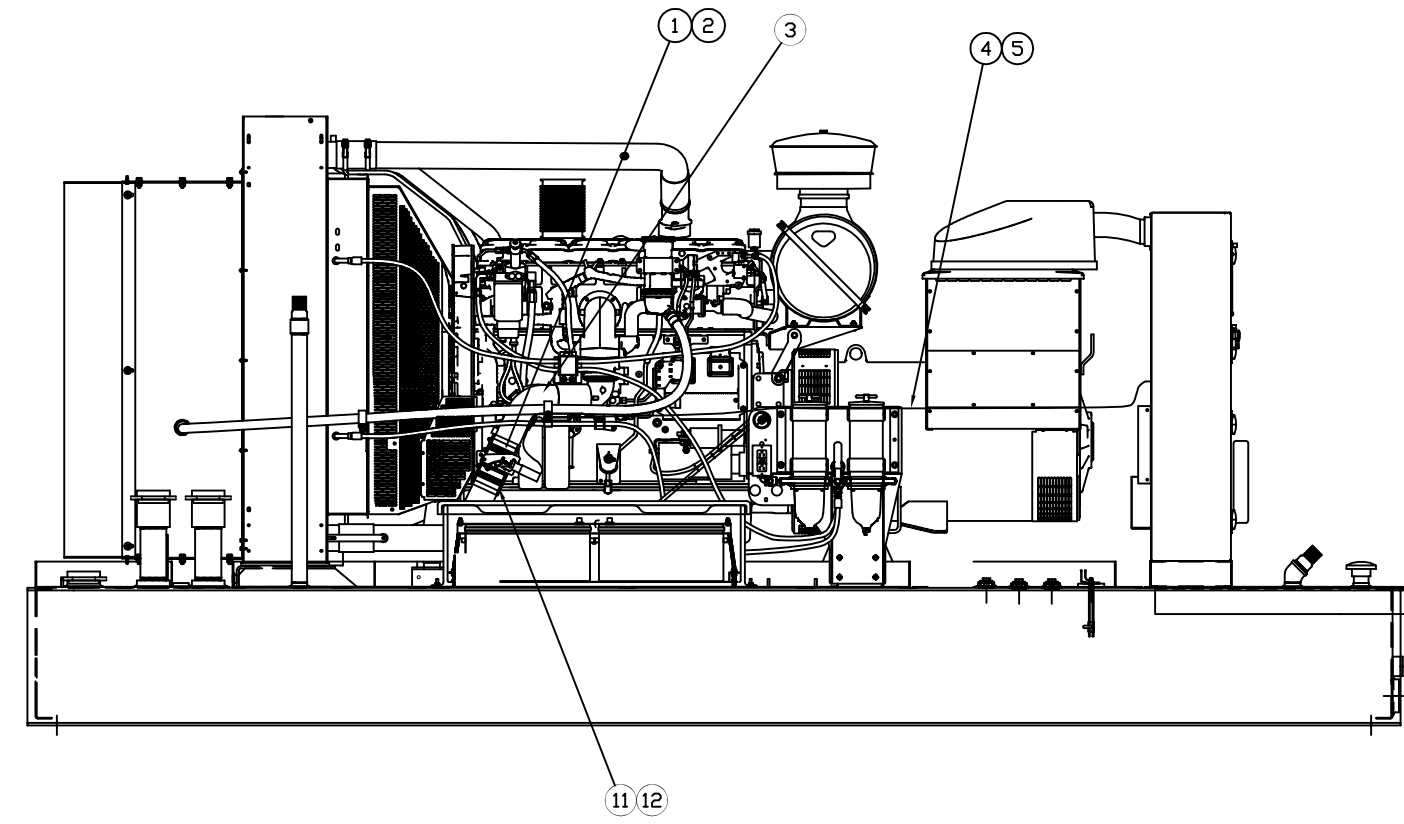
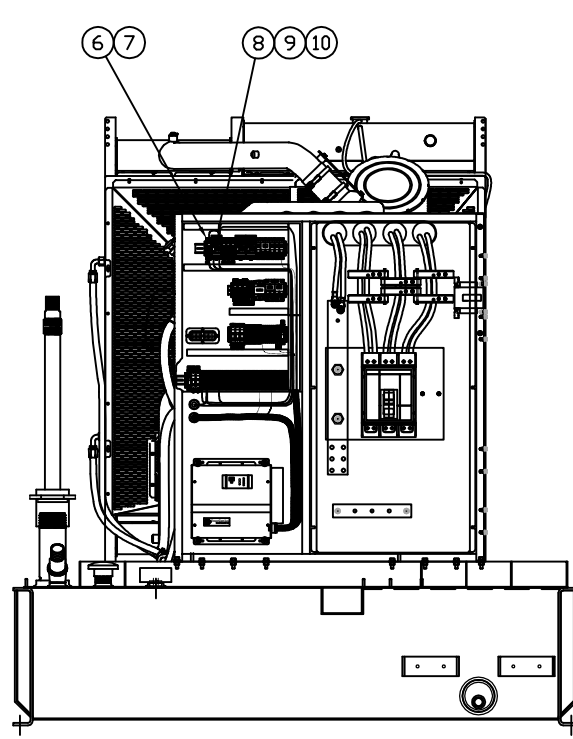


ITEM	QTY.	PART NUMBER	DESCRIPTION
1	1	4262C04A72	AMDT AIR INTAKE SHUT-OFF VALVE
2	1	IK-4000H-01	AIR SHUTOFF INSTALLATION KIT
3	1	87A256	TUBE ASSY. MODS FOR AMDT AIR SHUTOFF GP.
4	1	87E161	AMDT AIR SHUTOFF HARNESS
5	1	7K-1181	TYRAP - MED. BLK.
6	1	KTK-R-15	FUSE - 15 AMP
7	1	1492-FB1M30	FUSEBLOCK
8	1	225-1530	RELAY - 3PDT
9	1	221-0754	SOCKET - RELAY 3PDT
10	1	221-0755	CLIP - RELAY
11	1	230-3396	HOSE
12	2	208-7448	CLAMP



DATE 06/07/2013 BY [Signature]	<b>ALTORFER</b>		<b>ALTORFER POWER SYSTEMS</b> 6315 W. FAUBER RD. PHONE (309) 697-1234 BARTONVILLE, IL 61607 FAX (309) 282-7546	
	THIS DOCUMENT CONTAINS PROPRIETARY INFORMATION OF ALTORFER, INC. WITHOUT THE WRITTEN PERMISSION OF ALTORFER, INC. ANY COPYING OR OTHER USE EXCEPT THAT FOR WHICH IT WAS INTENDED IS PROHIBITED.		ALL DIMENSIONS IN INCHES UNLESS OTHERWISE SPECIFIED	
ADD HOSE AND CLAMPS CHANGE NOTICE 1	FILE DF/87A	PROJECT REFERENCE AMP500 OFFSHORE RENTAL PACKAGE		
	TOLERANCES: X.X ± 0.100 X.XX ± 0.050 X.XXX ± 0.005	THIRD ANGLE PROJECTION 	SCALE/SHEET SIZE 1=15/D	DRAWN BY D. ROLING
	SHEET 1 OF 1	DATE 06/07/2013	QUOTE NUMBER -	WORK ORDER NUMBER -
	TITLE MOUNTING GROUP - AIR SHUTOFF		DRAWING NUMBER 87A252-01	