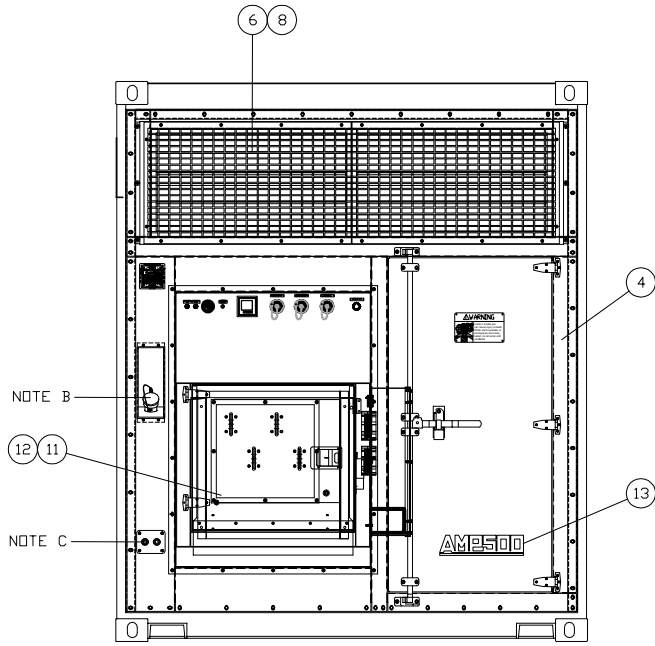
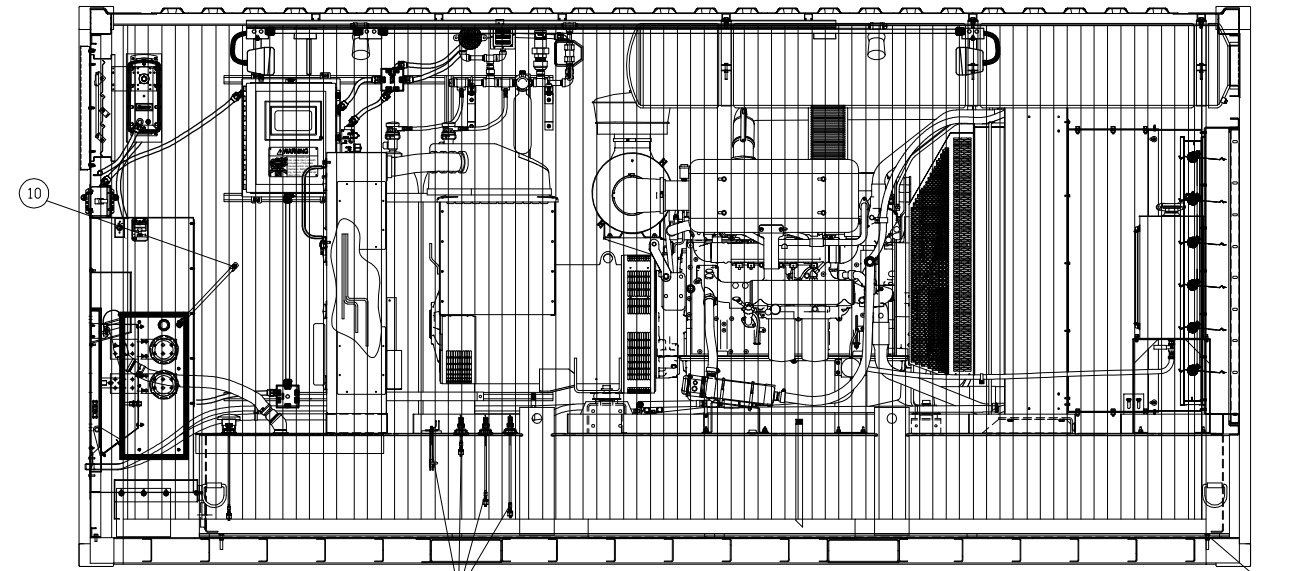


TOP VIEW

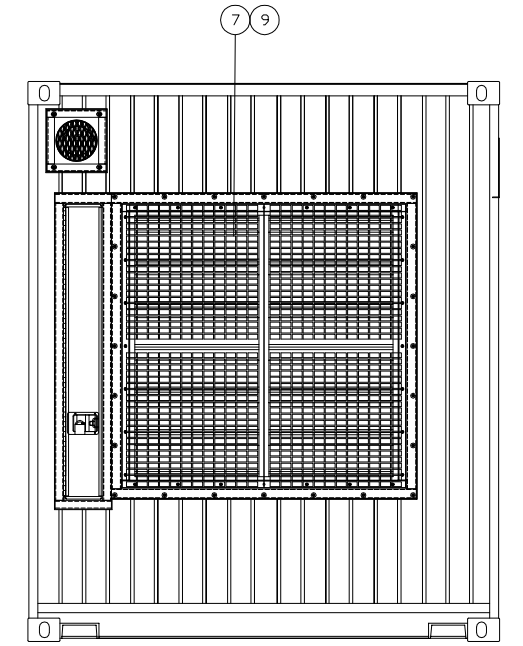
ITEM	QTY.	PART NO.	DESCRIPTION	WEIGHT
1	1	87A201	POWER PACK ARRANGEMENT - AMP500	-
2	1	87A215	CONTAINER ARRANGEMENT - AMP500	-
3	1	87A216	MNT. GP. - POWER PACK	-
4	1	87A219	MNT. GP. - BULKHEAD	-
5	1	87A220	MNT. GP. - FUEL FILL	-
6	1	87A221	MNT. GP. - INTAKE LOUVER	-
7	1	87A222	MNT. GP. - DISCHARGE LOUVER	-
8	1	87A223	MNT. GP. - INTAKE SCREEN	-
9	1	87A224	MNT. GP. - DISCHARGE SCREEN	-
10	1	87A225	MNT. GP. - PERSONNEL SAFETY	-
11	1	87A254	MNT. GP. - CONNECTION OFFSHORE	-
12	1	87A253	MNT. GP. - OFFSHORE PANEL	-
13	1	87A255	TRANSFER GROUP - AMP500 OFFSHORE	-



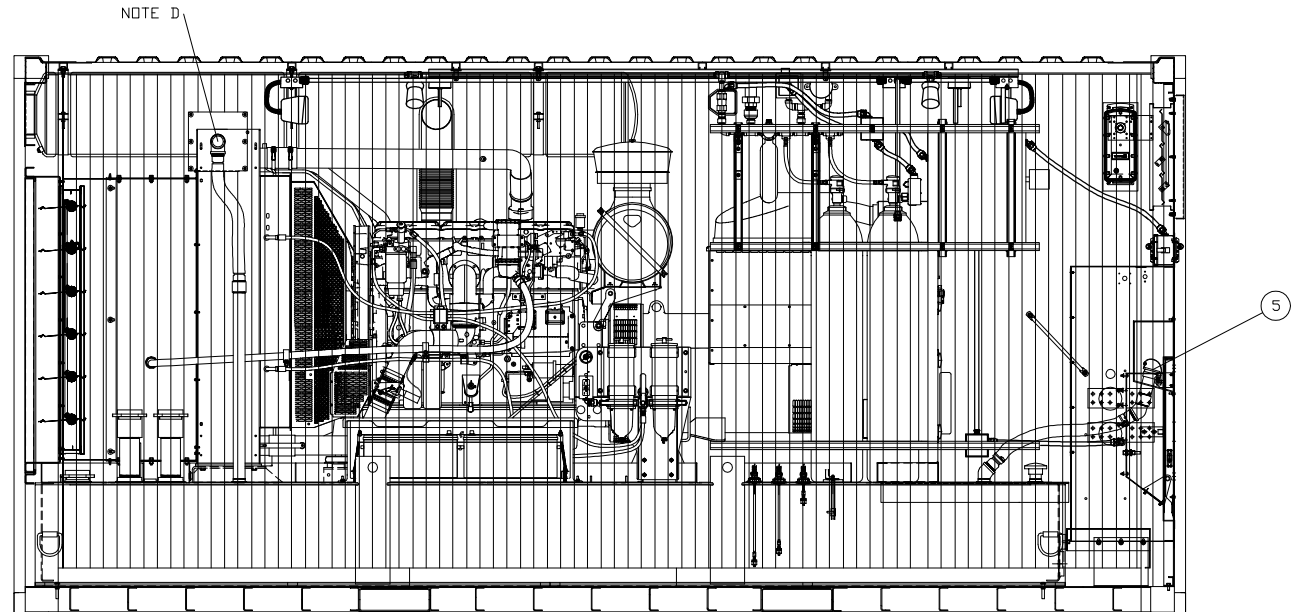
REAR VIEW



RIGHT VIEW



FRONT VIEW
DOOR CLOSED



LEFT VIEW

- NOTE A: COMPLETE ALL SWITCH ASSEMBLY WIRING CONNECTIONS TO BASE GP. (87A202)
- NOTE B: COMPLETE DRAINS MNT. GP. (87A206) CONNECTION TO BULKHEAD MNT. GP. (87A219)
- NOTE C: COMPLETE FUEL FILL MNT. GP. (87A220) CONNECTION TO BASE GP. (87A202)
- NOTE D: COMPLETE EXTERNAL FUEL VENT (87C203) CONNECTION TO BASE GP. (87A202)
- NOTE E: COMPLETE EXHAUST MNT. GP. (87A217) CONNECTION TO GENSET TURBO
- NOTE F: COMPLETE FIRE SUPPRESSION MNT. GP. (87A218) CONNECTIONS

		ALTORFER POWER SYSTEMS 6315 W. FAUBER RD. PHONE (309) 697-1234 BARTONVILLE, IL 61607 FAX (309) 282-7546		
THIS DOCUMENT CONTAINS PROPRIETARY INFORMATION OF ALTORFER, INC. WITHOUT THE WRITTEN PERMISSION OF ALTORFER, INC., ANY COPYING OR OTHER USE EXCEPT THAT FOR WHICH IT WAS INTENDED IS PROHIBITED.				
CHANGE NOTICE NO. 1 DATE 05/10/13	ALL DIMENSIONS IN INCHES UNLESS OTHERWISE SPECIFIED	FILE DF/87A	PROJECT REFERENCE AMP500 OFFSHORE RENTAL PACKAGE	
	TOLERANCES: X.X ± 0.100 X.XX ± 0.060 X.XXX ± 0.005	THIRD ANGLE PROJECTION	SCALE/SHEET SIZE 1=20/D	DRAWN BY BML
	ANGULAR ± 1'		SHEET 1 OF 1	DATE 05/10/13
	TITLE PACKAGE ARRANGEMENT - AMP500 OFFSHORE			QUOTE NUMBER - WORK ORDER NUMBER - DRAWING NUMBER 87A250