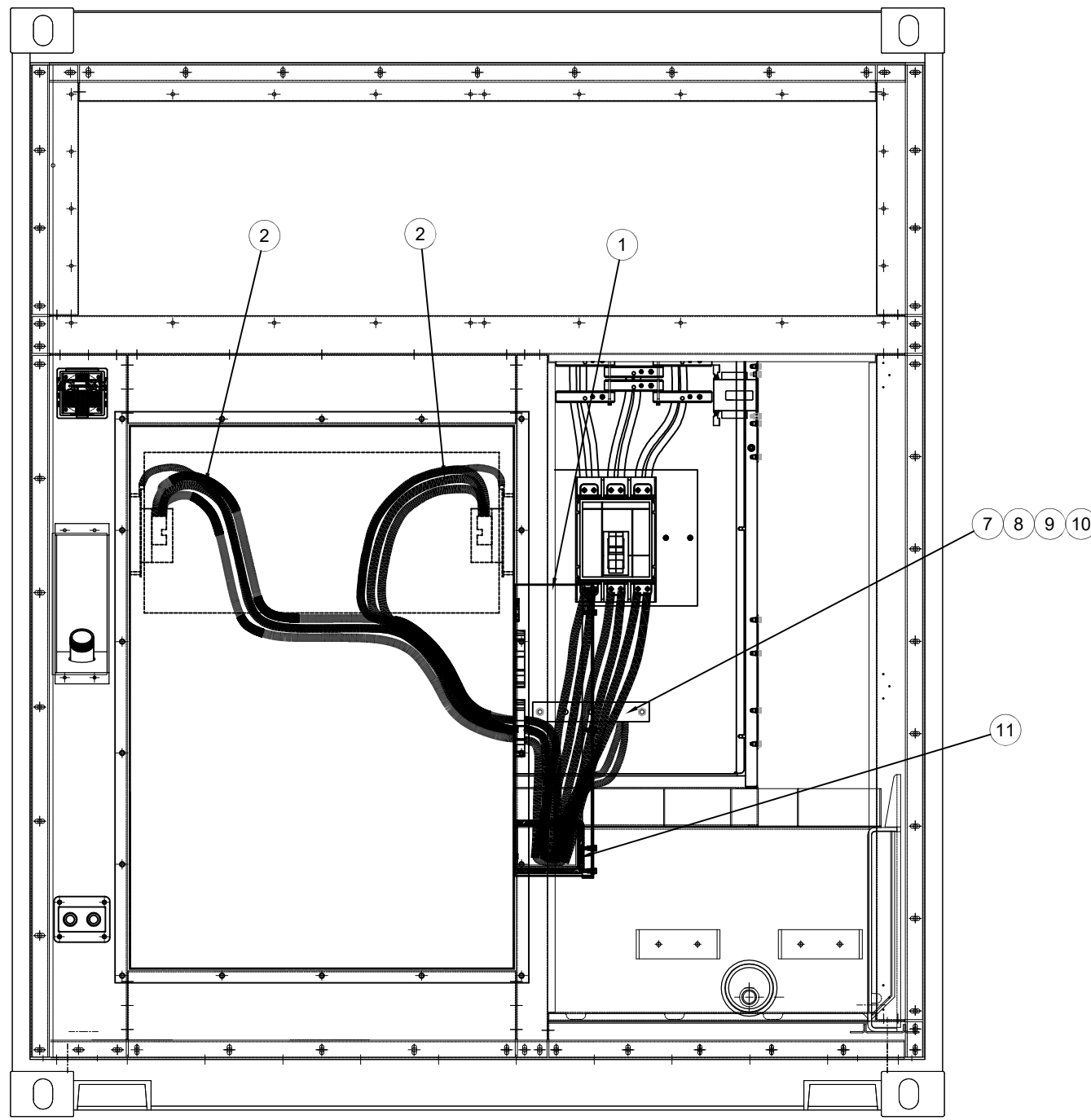


INCH 87A226-00



Rear

ITEM	QTY.	PART NUMBER	DESCRIPTION
1	1	87E122	RACEWAY TRANSITION BOX GROUP
2	1	87E131	ESL CABLE CONNECTION GROUP
3	1	87E127	ESL E-STOP HARNESS
4	1	87E128	ESL LOW FUEL LIGHT HARNESS
5	1	87E129	ESL HIGH FUEL LIGHT HARNESS
6	2	87E130	ESL FUEL GAUGE AND SWITCH HARNESS
7	2	9B-7237	3/8"-16 X 1-1/4" BOLT
8	2	6V-8801	3/8"-16 NUT
9	4	8T-4896	3/8" FLAT WASHER
10	2	3B-4506	3/8" LOCK WASHER
11	1	87E133	CABLE TROUGH INSULATION RUBBER

NOTE:  
ITEMS 3, 4, 5, & 6 NOT SHOWN.

		<b>ALTORFER POWER SYSTEMS</b> 6315 W. FAUBER RD.      PHONE (309) 697-1234 BARTONVILLE, IL 61607      FAX (309) 282-7546				
		THIS DOCUMENT CONTAINS PROPRIETARY INFORMATION OF ALTORFER, INC. WITHOUT THE WRITTEN PERMISSION OF ALTORFER, INC., ANY COPYING OR OTHER USE EXCEPT THAT FOR WHICH IT WAS INTENDED IS PROHIBITED				
CHANGE NOTICE NO.	DATE BY	ALL DIMENSIONS IN INCHES UNLESS OTHERWISE SPECIFIED	FILE DF/87A	PROJECT REFERENCE AMP500 MARITIME PROJECT		
		TOLERANCES: X.X ± 0.100 X.XX ± 0.060 X.XXX ± 0.005	THIRD ANGLE PROJECTION 	SCALE/SHEET SIZE NONE	DRAWN BY D. ROLING	QUOTE NUMBER -
		ANGULAR ± 1°		SHEET 1 OF 1	DATE 04/17/2013	WORK ORDER NUMBER -
		TITLE MOUNTING GROUP - CONNECTION (ESL ELECTRICAL)			DRAWING NUMBER 87A226-00	