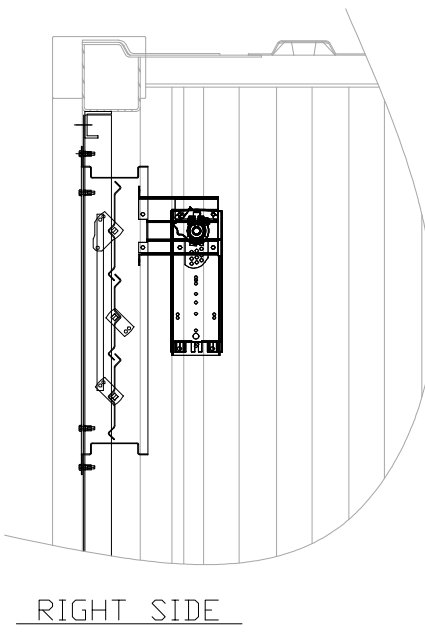
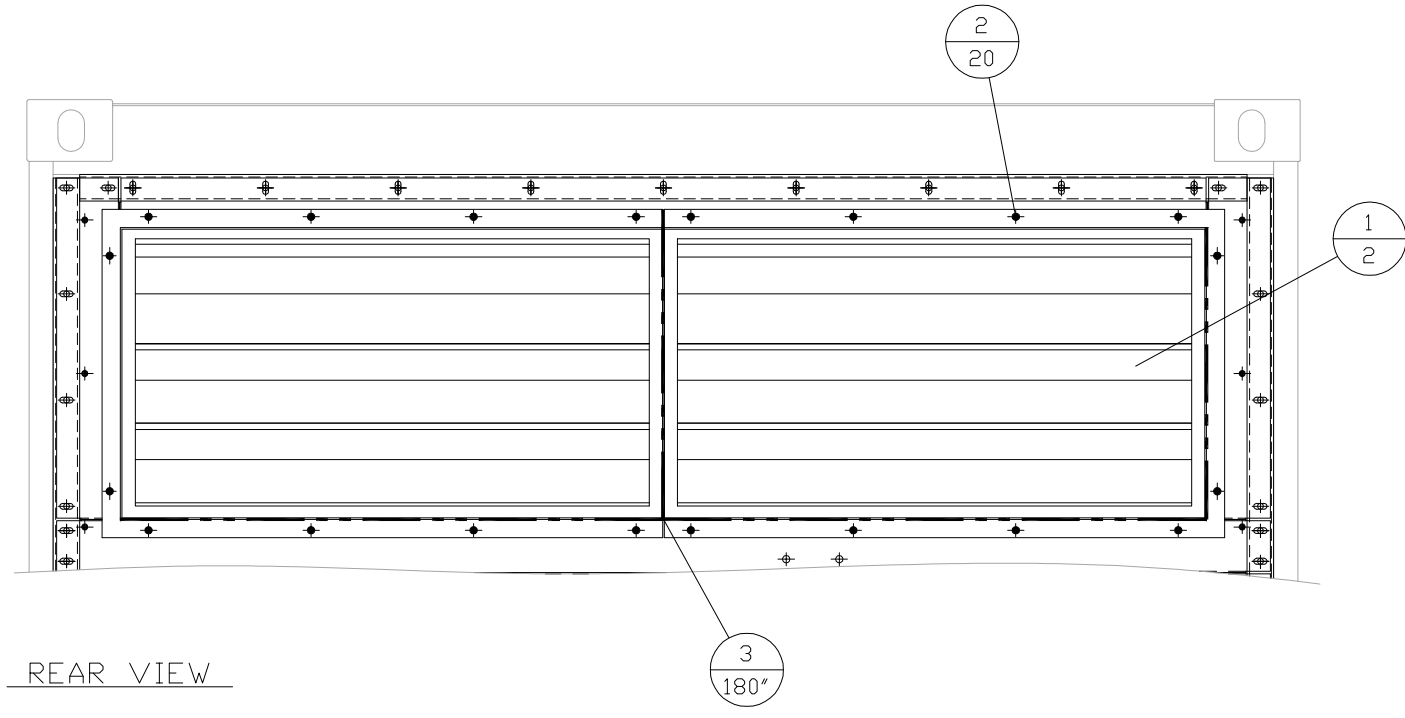
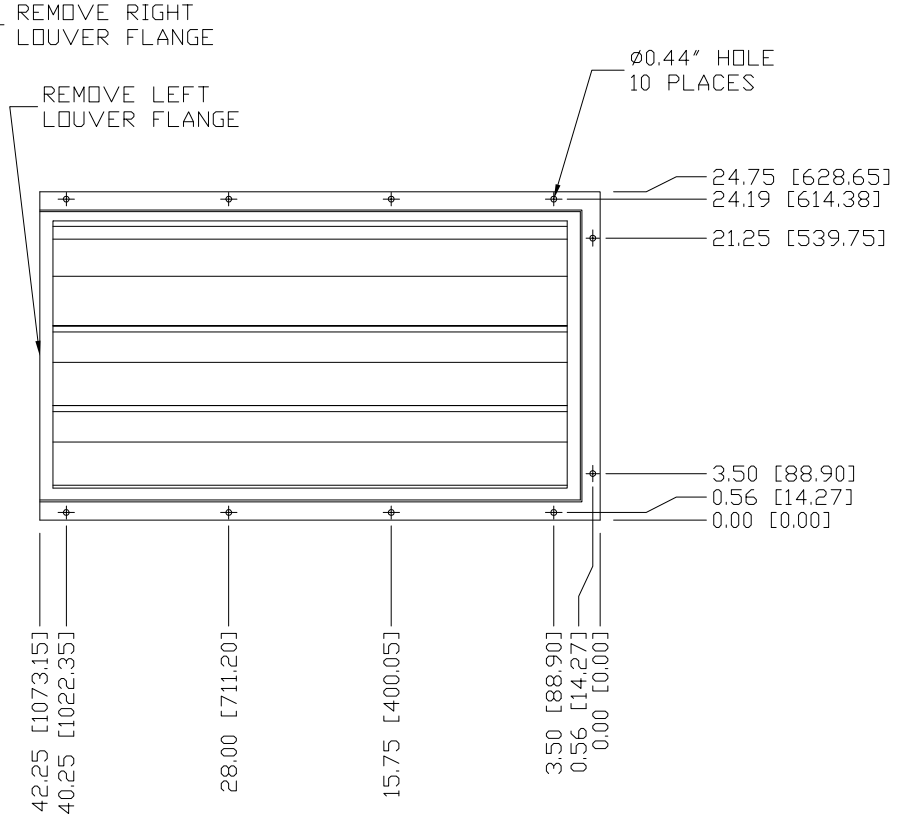
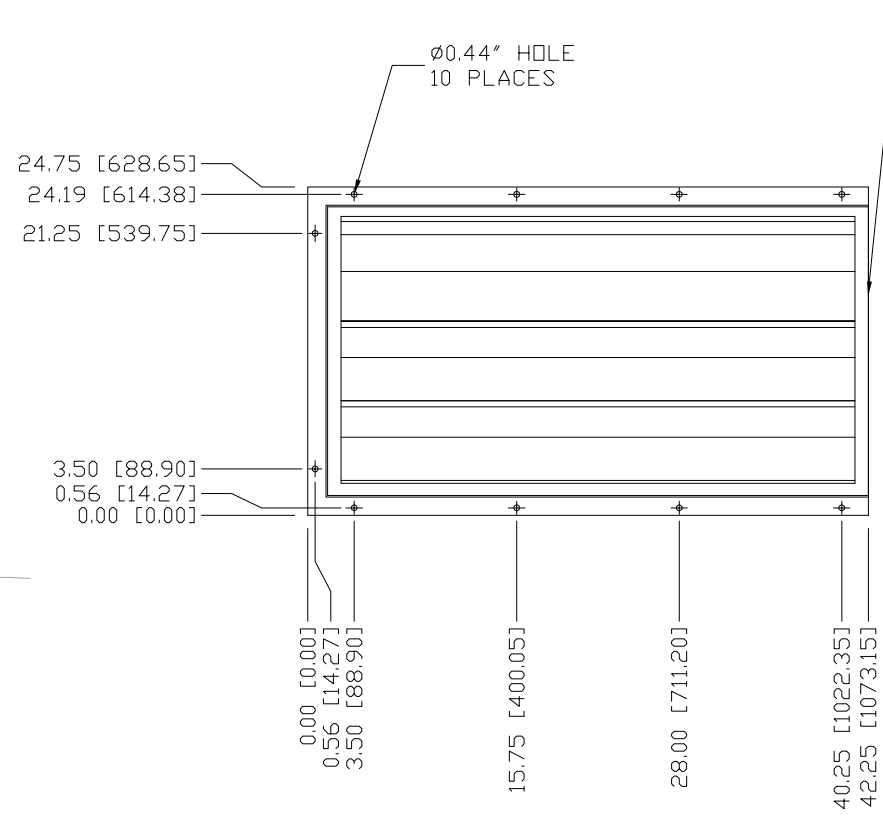
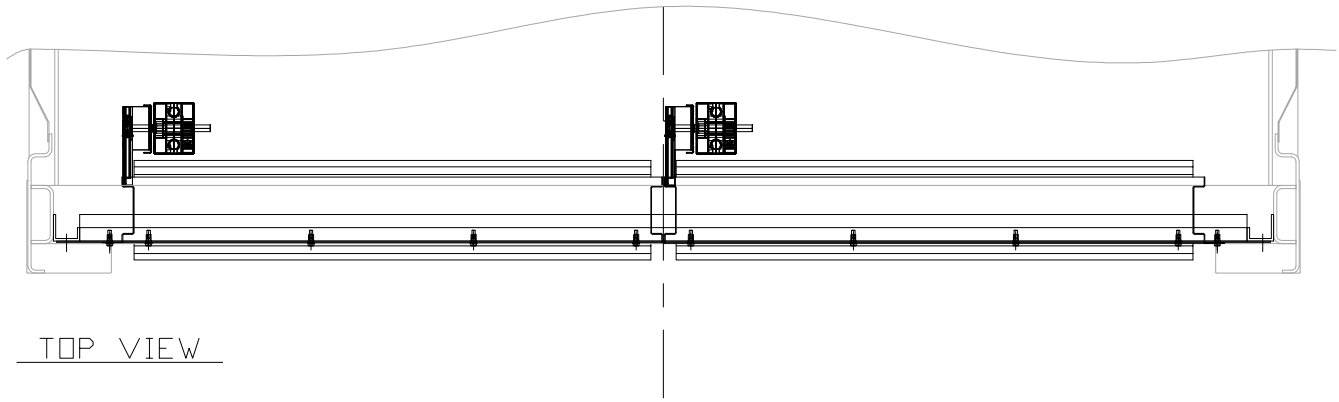


INCH 87A221

ITEM	QTY.	PART NO.	DESCRIPTION	WEIGHT
1	2	DPS10144	S.S. MOTORIZED LOUVER	X
2	20	97646A115	1/4"-20x1" S.S. FLANGED BOLT	X
3	108"	3E6600	TRIM BLACK	X



CHANGE NOTICE		DATE BY	<b>ALTORFER POWER SYSTEMS</b> 6315 W. FAUBER RD.      PHONE (309) 697-1234 BARTONVILLE, IL 61607      FAX (309) 282-7546			
		THIS DOCUMENT CONTAINS PROPRIETARY INFORMATION OF ALTORFER, INC. WITHOUT THE WRITTEN PERMISSION OF ALTORFER, INC., ANY COPYING OR OTHER USE EXCEPT THAT FOR WHICH IT WAS INTENDED IS PROHIBITED				
2	1	NO.	ALL DIMENSIONS IN INCHES UNLESS OTHERWISE SPECIFIED	FILE	PROJECT REFERENCE	
			TOLERANCES: X.X ± 0.100 X.XX ± 0.060 X.XXX ± 0.005	DF/87A	AMP500 RENTAL PACKAGE	
			ANGULAR ± 1°	SCALE/SHEET SIZE 1=15/B	DRAWN BY BML	QUOTE NUMBER -
TITLE			THIRD ANGLE PROJECTION	SHEET	DATE	WORK ORDER NUMBER
MOUNTING GROUP - INTAKE LOUVER			1 OF 1	05/15/13	-	
			DRAWING NUMBER			
			87A221			