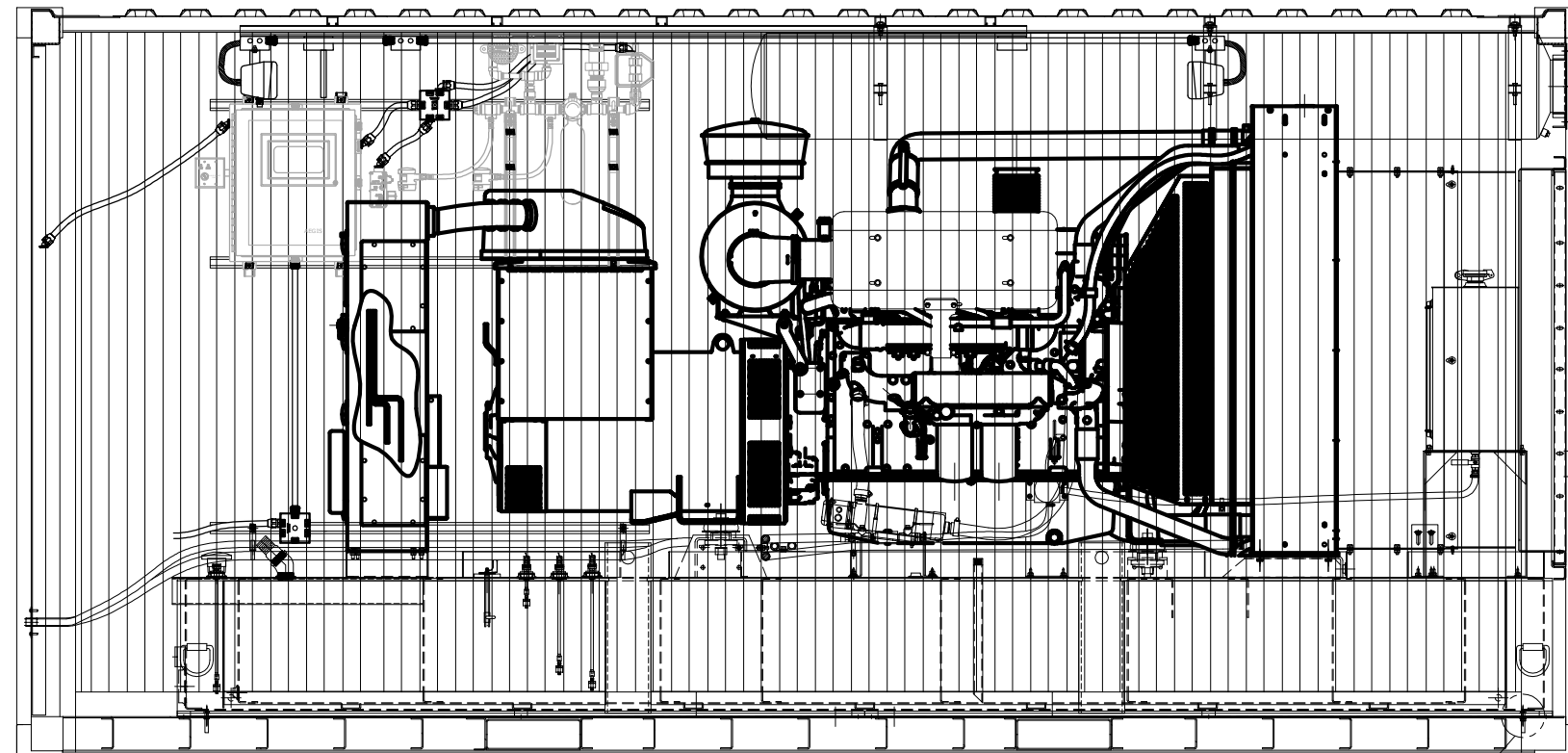
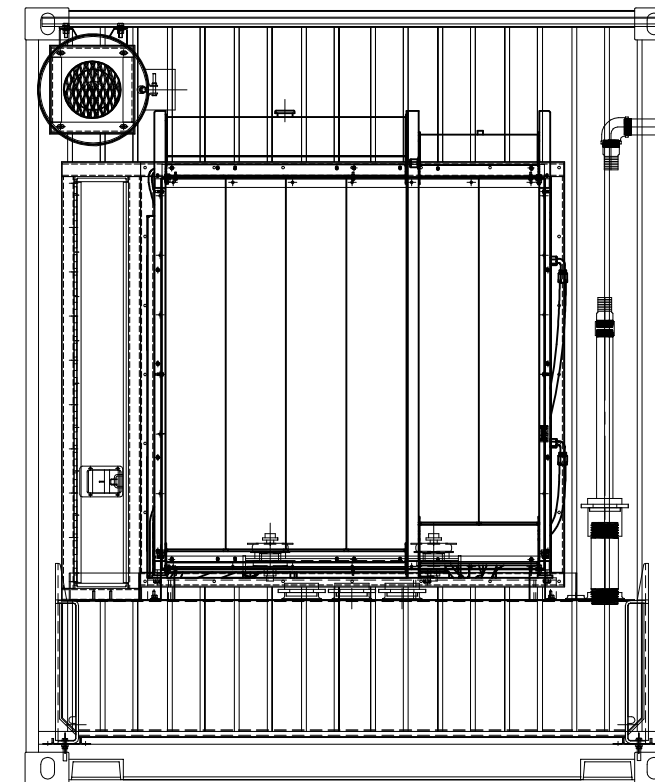


INCH 87A216

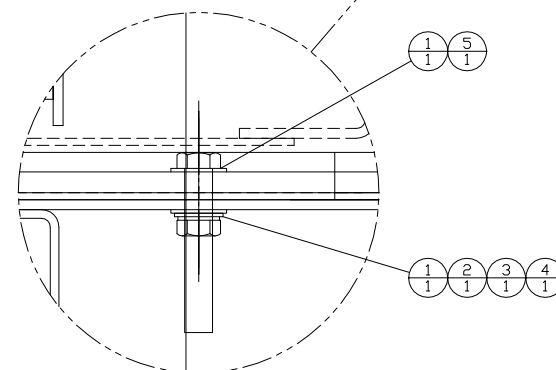
ITEM	QTY.	DESCRIPTION	WEIGHT
1	8	8T-4994 - 3/4" WASHER	XX
2	4	6V-8182 - NUT 3/4"-10	XX
3	4	3B-4512 - 3/4" LOCK WASHER	XX
4	4	4B-4285 - 1" WASHER	XX
5	4	8T-8924 - BOLT 3/4"-10x2-1/2"	XX



RIGHT VIEW



FRONT VIEW



4 PLACES

		<b>ALTORFER POWER SYSTEMS</b> 6315 W. FAUBER RD.      PHONE (309) 697-1234 BARTONVILLE, IL 61607      FAX (309) 282-7546		
		THIS DOCUMENT CONTAINS PROPRIETARY INFORMATION OF ALTORFER, INC. WITHOUT THE WRITTEN PERMISSION OF ALTORFER, INC., ANY COPYING OR OTHER USE EXCEPT THAT FOR WHICH IT WAS INTENDED IS PROHIBITED.		
CHANGE NOTICE 1 2	ALL DIMENSIONS IN INCHES UNLESS OTHERWISE SPECIFIED	FILE DF/87A	PROJECT REFERENCE AMP500 RENTAL PACKAGE	
	TOLERANCES: .XX ± 0.100 .XXX ± 0.050 .XXXX ± 0.005	THIRD ANGLE PROJECTION	SCALE/SHEET SIZE 1=20/C	DRAWN BY BML
	ANGULAR ± 1°		SHEET 1 OF 1	DATE 05/23/13
TITLE MOUNTING GROUP - POWER PACK			QUOTE NUMBER - WORK ORDER NUMBER - DRAWING NUMBER 87A216	