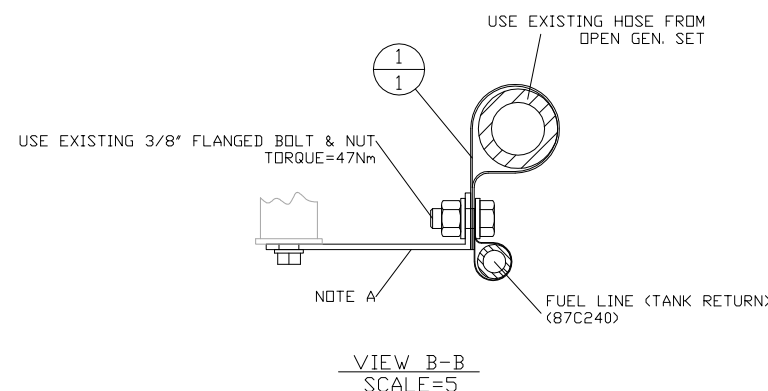
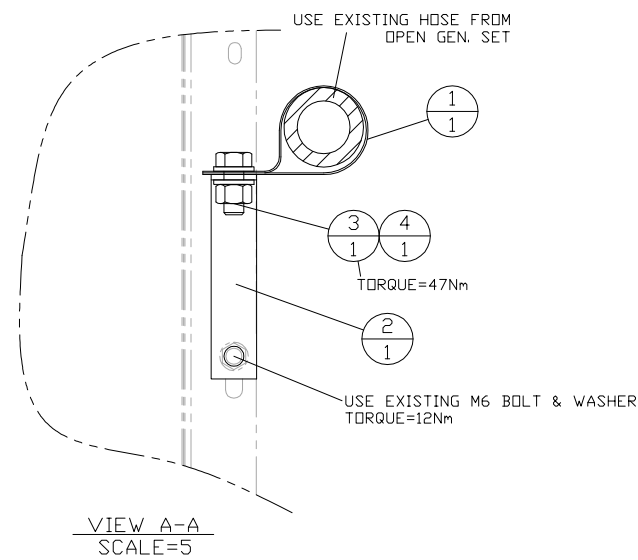
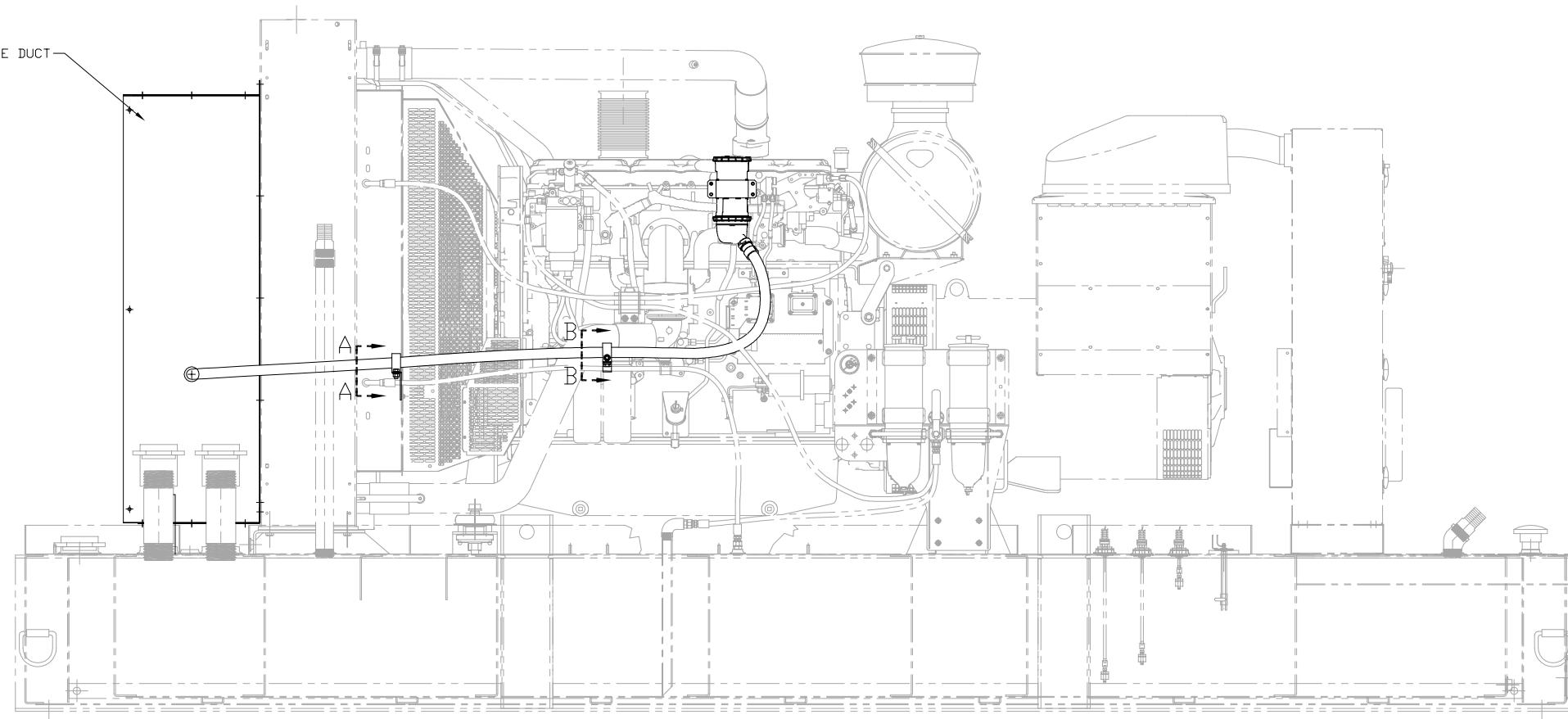


ITEM	QTY.	PART NO.	DESCRIPTION	WEIGHT
1	2	0708814	VINYL P-CLAMP 1-1/2"	-
2	1	9N-1394	BRACKET	-
3	1	345-8531	FLANGED BOLT - 3/8"-16x1"	-
4	1	198-2970	FLANGED NUT - 3/8"-16	-
5	-	-	-	-

REF. DISCHARGE DUCT
(87A210)



		ALTORFER POWER SYSTEMS 6315 W. FAUBER RD. PHONE (309) 697-1234 BARTONVILLE, IL 61607 FAX (309) 282-7546	
		THIS DOCUMENT CONTAINS PROPRIETARY INFORMATION OF ALTORFER, INC. WITHOUT THE WRITTEN PERMISSION OF ALTORFER, INC., ANY COPYING OR OTHER USE EXCEPT THAT FOR WHICH IT WAS INTENDED IS PROHIBITED.	
CHANGE NOTICE NO. 1	DATE BY	FILE DF/57A	PROJECT REFERENCE AMP500 RENTAL PACKAGE
	ALL DIMENSIONS IN INCHES UNLESS OTHERWISE SPECIFIED	SCALE/SHEET SIZE 1=15/C	DRAWN BY BML
	TOLERANCES: .XX ± 0.100 .XXX ± 0.060 .XXXX ± 0.005 ANGULAR ± 1°	THIRD ANGLE PROJECTION	SHEET 1 OF 1
TITLE LINES GROUP - DVC			QUOTE NUMBER - WORK ORDER NUMBER - DRAWING NUMBER 87A205