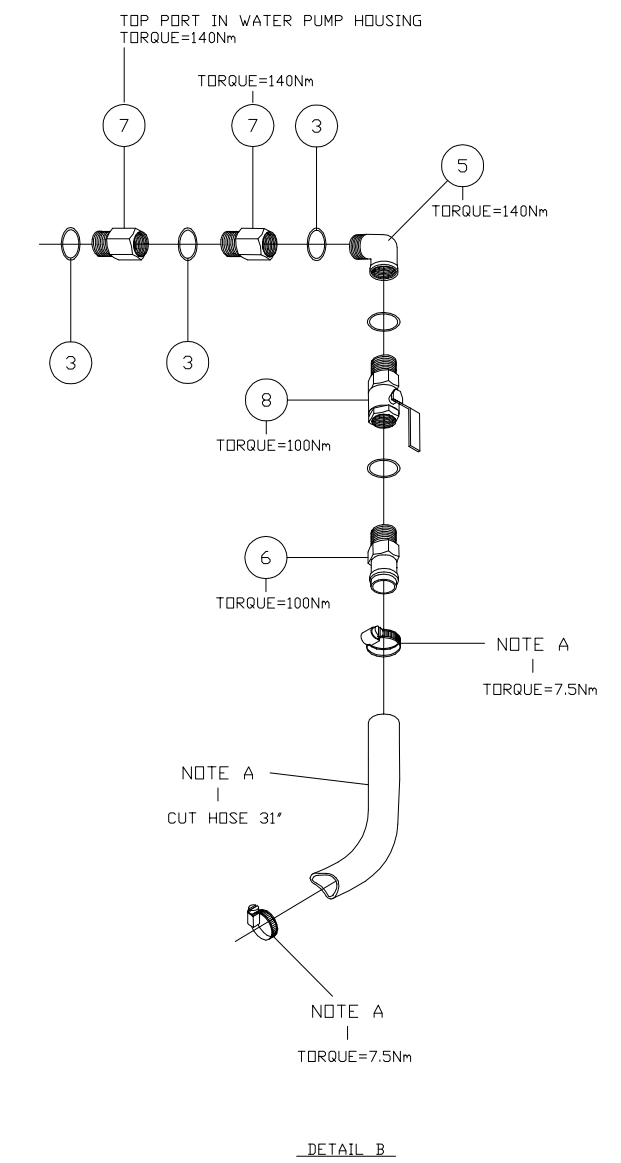
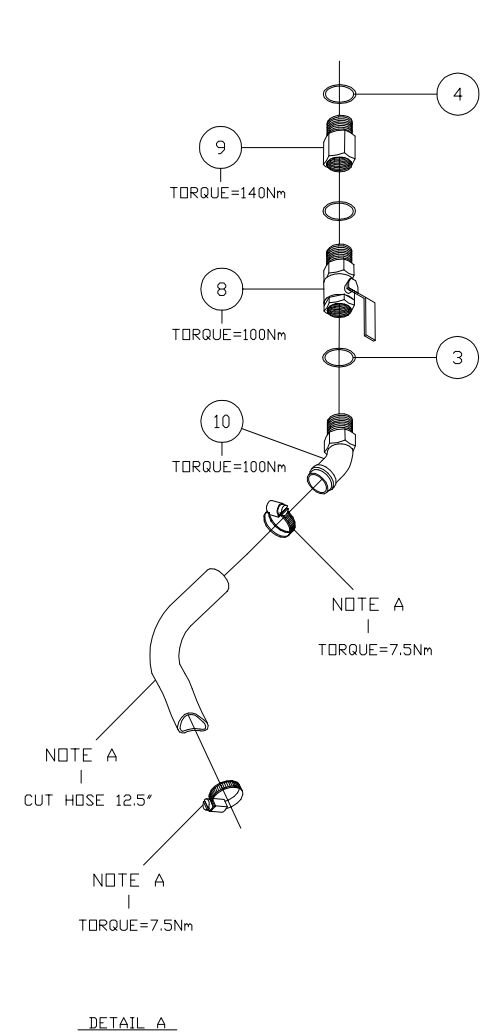
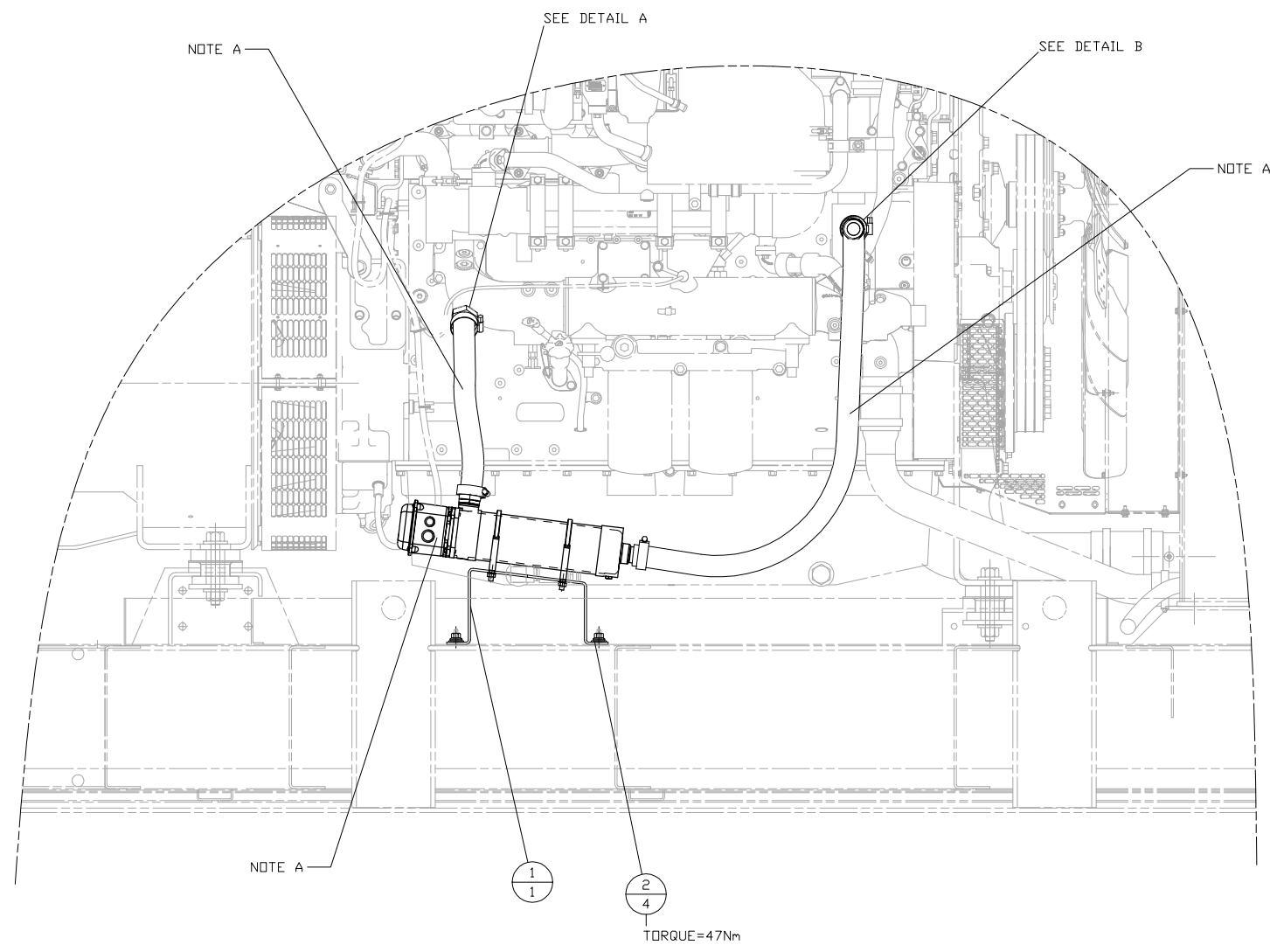


ITEM	QTY.	PART NO.	DESCRIPTION	WEIGHT
1	1	57B235-1	BRACKET - JACKET WATER HEATER	10
2	4	198-2970	FLANGED NUT 3/8"-16	7
3	4	3D-2824	SEAL O-RING	-
4	1	119-5155	SEAL O-RING	-
5	1	341-0107	ELBOW 90°	-
6	1	9U-6993	ADAPTOR 1-1/16"-12	-
7	2	3T-4965	ADAPTOR 1-1/16"-12	-
8	2	XV510P-12	LOW PRESSURE BALL VALVE	-
9	1	101-7198	ADAPTOR	-
10	1	245-1400	ELBOW 45°	-

TOTAL WEIGHT = 17



NOTE A: USE THE SAME JACKET WATER HEATER, CLAMPS, AND HOSE RECEIVED FROM OPEN SET PACKAGE

		ALTORFER POWER SYSTEMS 6315 W. FAUBER RD. PHONE (309) 697-1234 BARTONVILLE, IL 61607 FAX (309) 282-7546	
		THIS DOCUMENT CONTAINS PROPRIETARY INFORMATION OF ALTORFER, INC. WITHOUT THE WRITTEN PERMISSION OF ALTORFER, INC., ANY COPYING OR OTHER USE EXCEPT THAT FOR WHICH IT WAS INTENDED IS PROHIBITED.	
CHANGE NOTICE NO. 1	ALL DIMENSIONS IN INCHES UNLESS OTHERWISE SPECIFIED	FILE DF/87A	PROJECT REFERENCE AMP500 RENTAL PACKAGE
	TOLERANCES: .XX ± 0.100 X.XX ± 0.060 X.XXX ± 0.005	THIRD ANGLE PROJECTION	SCALE/SHEET SIZE 1=10/C
ANGULAR ± 1°		SHEET 1 OF 1	DATE 04/30/13
TITLE MOUNTING GROUP - JACKET WATER HEATER	QUOTE NUMBER -		WORK ORDER NUMBER -
NO. 1	DRAWING NUMBER 87A203		