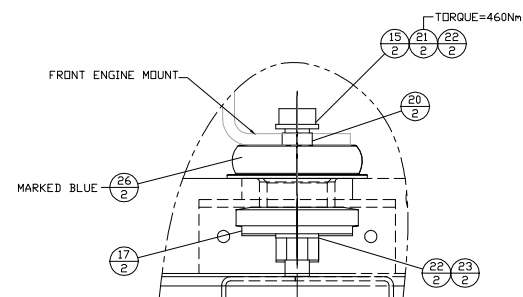
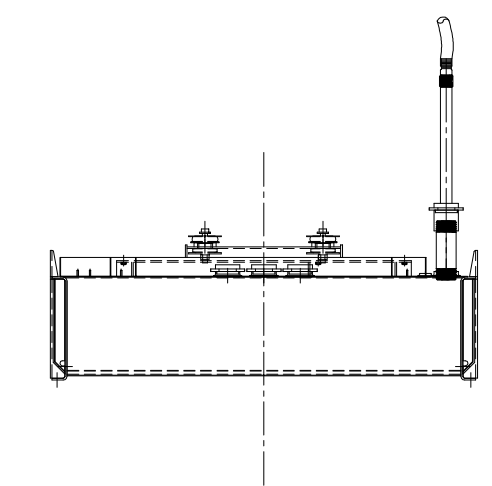
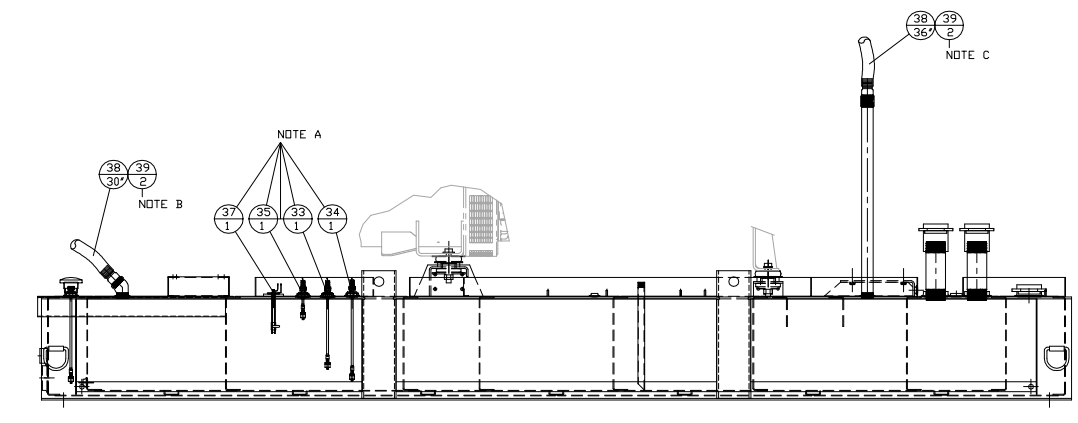
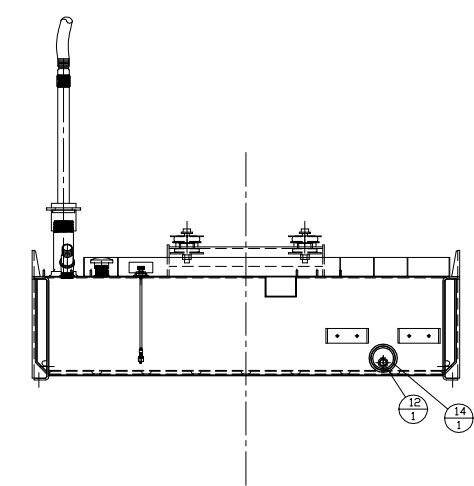
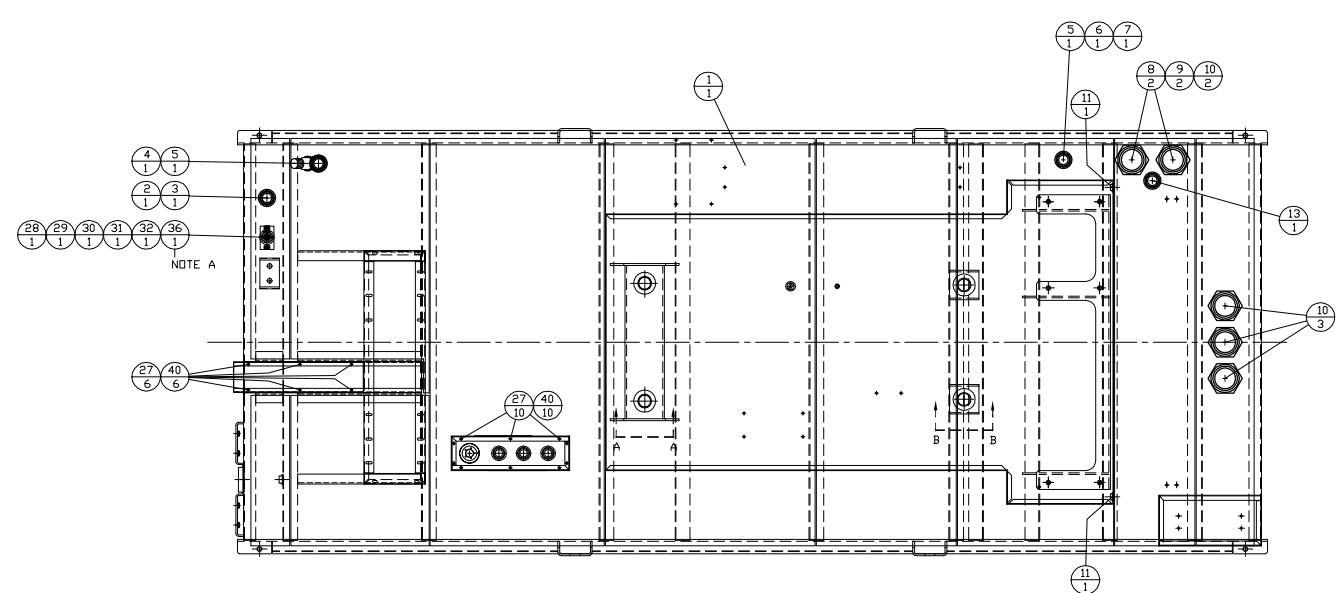


VIEW A-A (GENERATOR MOUNT)
SCALE 1/5



VIEW B-B (ENGINE MOUNT)
SCALE 1/5



ITEM	QTY.	PART No.	DESCRIPTION	WEIGHT
1	1	87B200	AMP500 FUEL BASE ASSEMBLY	4866
2	1	PNPL2C	2" CLOSE NIPPLE	-
3	1	FTV02	2" MUSHROOM VENT	-
4	1	PSE2-45	2" 45° STREET ELBOW	-
5	2	5363K46	2" BARBED FITTING	-
6	1	PBP2	2" PIPE 40"Lg (THREADED ON BOTH ENDS)	-
7	1	PP2C	2" COUPLING	-
8	2	PNPL412	4" NIPPLE 12"Lg	-
9	2	BSCTT4	4" COUPLING	-
10	2	0367-03-40HF	4" VENT CAP	-
11	1	PPP12	1/2" PLUG	-
12	1	PPP34	3/4" PLUG	-
13	1	PPP02	2" PLUG	-
14	1	PPP4	4" PLUG	-
15	4	9W-6582	SLEEVE	-
16	2	9W-9930	MDUNT ASSEMBLY (GENERATOR)	-
17	2	206-3423	WASHER	-
18	2	242-2136	WASHER	-
19	2	249-4856	SPACER	-
20	2	356-0100	SPACER	-
21	2	7X-2532	BOLT M20x2.5	-
22	6	8T-4123	WASHER	-
23	4	8T-4131	M20 HEX NUT	-
24	2	8T-4170	BOLT M20x2.5	-
25	2	8T-5439	WASHER	-
26	2	9W-9931	MDUNT ASSEMBLY (ENGINE)	-
27	16	91500A538	1/4"-20x0.625"Lg COUNTERSINK SCREW	-
28	1	158-8021	2x4 WEATHER PROOF BOX WITH (3) 1/2" Ø HOLES	-
29	1	5173-0	2x4 WEATHER PROOF BLANK BOX COVER	-
30	1	5269-0	1/2" WEATHER PROOF BOX PLUG	-
31	1	PNPL12C	1/2" CLOSE NIPPLE	-
32	1	ECHA2412	1/2" FEMALE OZ BUSHING	-
33	1	87E111	SWITCH ASSEMBLY - LOW FUEL LEVEL ALARM	-
34	1	87E112	SWITCH ASSEMBLY - CRITICAL LOW FUEL LEVEL SHUTDOWN	-
35	1	87E113	SWITCH ASSEMBLY - HIGH FUEL LEVEL ALARM	-
36	1	87E114	SWITCH ASSEMBLY - RUPTURE ALARM	-
37	1	87E118	FUEL LEVEL SENDER	-
38	66'	GDY2FLEX	HOSE 2"	-
39	4	8T-4984	3" HOSE CLAMP	-
40	16	150-4286	1/4"-20 THREADED INSERT	-
TOTAL				

NOTE A: COMPLETE WIRING CONNECTIONS IN PACKAGE ARRANGEMENT (87A200)
 NOTE B: COMPLETE FUEL FILL MNT. GP. (87A220) IN PACKAGE ARRANGEMENT (87A200)
 NOTE C: COMPLETE EXTERIOR FUEL VENT (87C203) CONNECTION IN PACKAGE ARRANGEMENT (87A200)
 NOTE D: USE PIPE SEALANT ON ALL NPT PIPE FITTINGS
 NOTE E: USE THREAD CHASER ON ALL WELD STUDS AND TAPPED PLATE HOLE THREADS

DATE 07/28/13	BY BML	ALTORFER	ALTORFER POWER SYSTEMS		
			6315 W. FAUBER RD. BARTONVILLE, IL 61607	PHONE (309) 697-1234 FAX (309) 282-7546	
ADDED CHANGE NOTICE	THIS DOCUMENT CONTAINS PROPRIETARY INFORMATION OF ALTORFER, INC. WITHOUT THE WRITTEN PERMISSION OF ALTORFER, INC., ANY COPYING OR OTHER USE EXCEPT THAT FOR WHICH IT WAS INTENDED IS PROHIBITED				
	ALL DIMENSIONS IN INCHES UNLESS OTHERWISE SPECIFIED	FILE DF/87A	PROJECT REFERENCE AMP500 RENTAL PACKAGE		
	TOLERANCES: X.X ± 0.100 X.XX ± 0.050 X.XXX ± 0.005	THIRD ANGLE PROJECTION	SCALE/SHEET SIZE 1=20/D	DRAWN BY BML	QUOTE NUMBER 0
	ANGULAR ± 1'	SHEET 1 OF 1	DATE 04/30/13	WORK ORDER NUMBER 0	DRAWING NUMBER 87A202-1
1	1	FUEL BASE GROUP - AMP500			