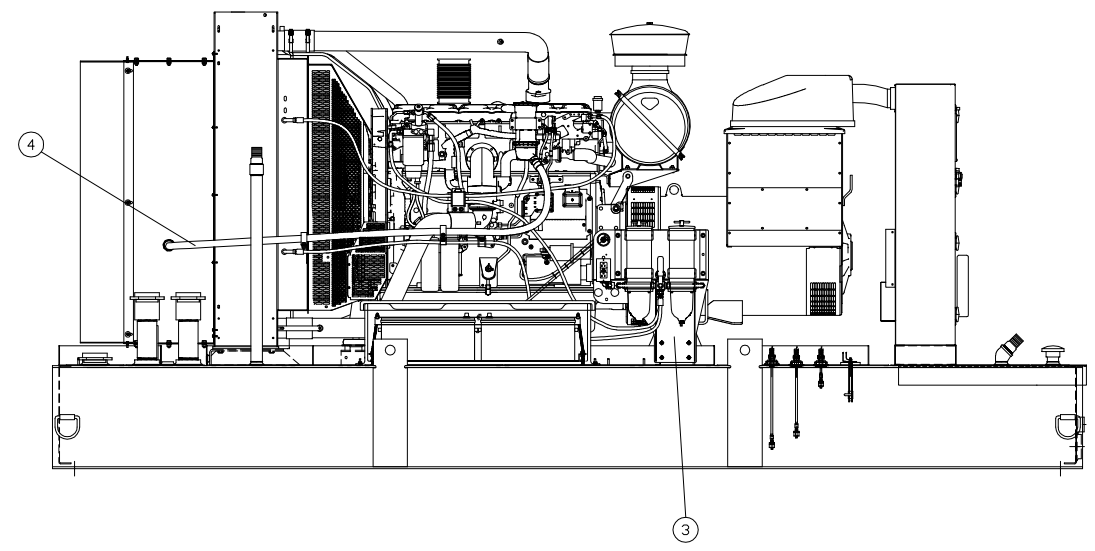
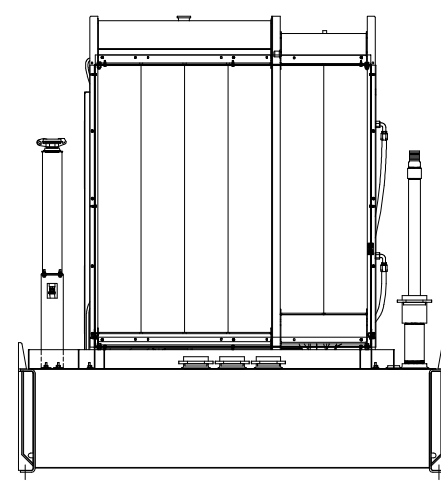
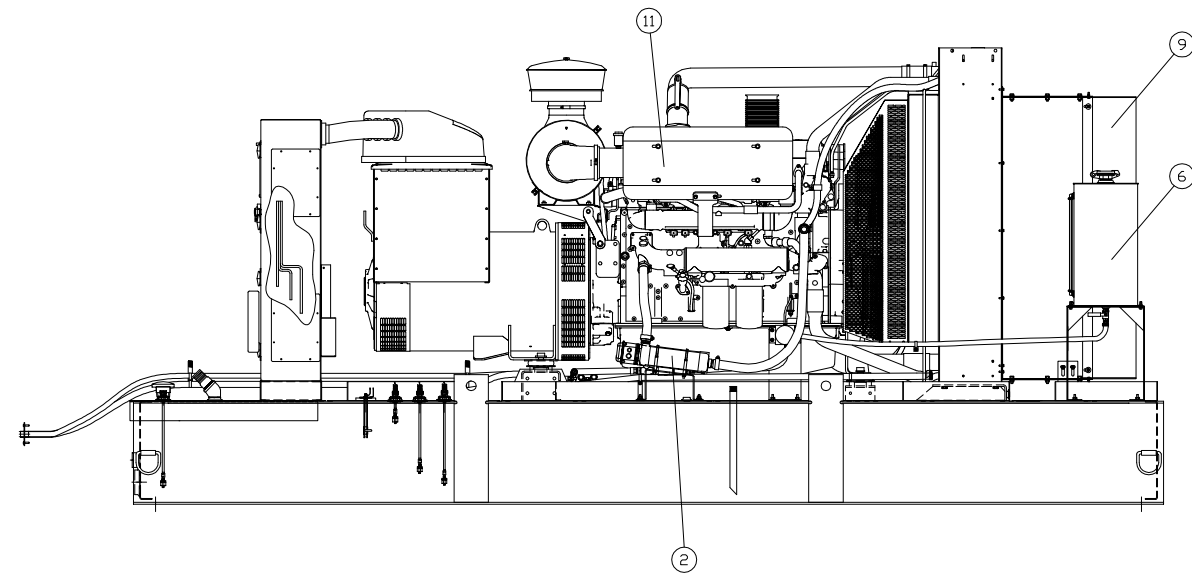
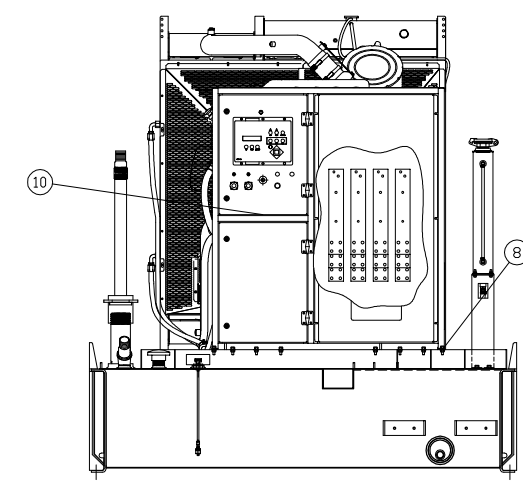


ITEM	QTY.	PART NO.	DESCRIPTION	WEIGHT
1	1	87A202	BASE BROUP - AMP500 FUEL	XX
2	1	87A203	MNT. GP. - JACKET WATER HEATER	XX
3	1	87A204	LINES GP. - FUEL	XX
4	1	87A205	LINES GP. - DVC	XX
5	1	87A206	LINES GP. - DRAINS (ENGINE)	XX
6	1	87A207	MNT. GP. - OIL RECOVERY	XX
7	1	87A208	MNT. GP. - STARTING	XX
8	1	87A209	MNT. GP. - CONTROL PANEL	XX
9	1	87A210	MNT. GP. - DISCHARGE DUCT	XX
10	1	87A211	MNT. GP. - BATTERY CHARGER	XX
11	1	383-6117-01	MNT. GP. - HEAT SHIELD	XX



		<b>ALTORFER POWER SYSTEMS</b> 6315 W. FAUBER RD.      PHONE (309) 697-1234 BARTONVILLE, IL 61607      FAX (309) 282-7546			
		THIS DOCUMENT CONTAINS PROPRIETARY INFORMATION OF ALTORFER, INC. WITHOUT THE WRITTEN PERMISSION OF ALTORFER, INC., ANY COPYING OR OTHER USE EXCEPT THAT FOR WHICH IT WAS INTENDED IS PROHIBITED.			
CHANGE NOTICE NO. 1 DATE BY:	ALL DIMENSIONS IN INCHES UNLESS OTHERWISE SPECIFIED	FILE DF/87A	PROJECT REFERENCE AMP500 RENTAL PACKAGE		
	TOLERANCES: X.X ± 0.100 X.XX ± 0.050 X.XXX ± 0.005	THIRD ANGLE PROJECTION	SCALE/SHEET SIZE 1=20/D	DRAWN BY BML	QUOTE NUMBER -
	ANGULAR ± 1'		SHEET 1 OF 1	DATE 05/23/13	WORK ORDER NUMBER -
	TITLE POWER PACK ARRANGEMENT - AMP500				DRAWING NUMBER 87A201