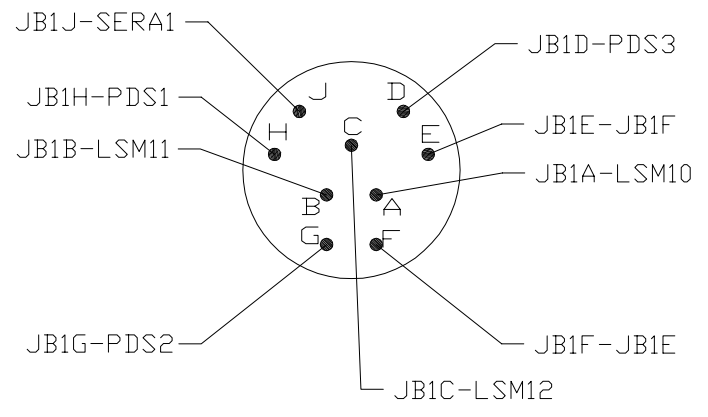
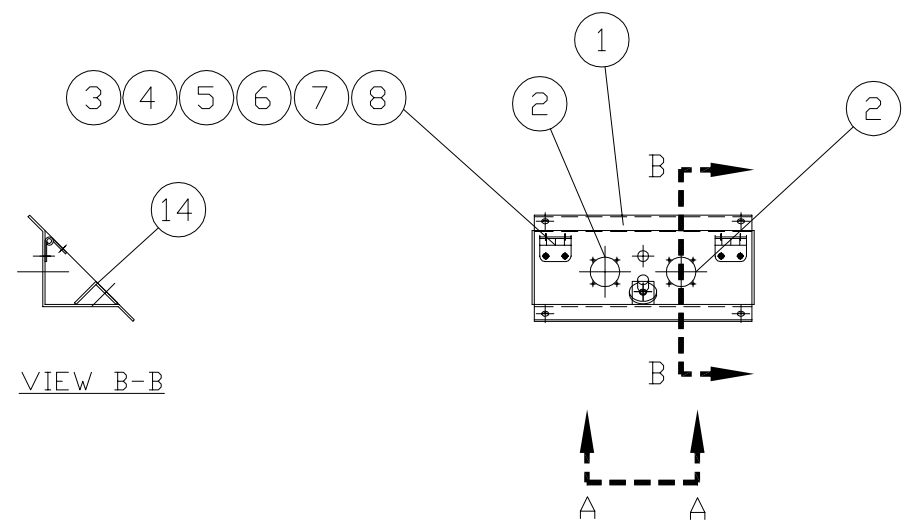


COMP	QTY	DESCRIPTION	WEIGHT
1	1	57E132-1- PLUG BOX	4
2	1	86E165 - DC LOAD SHARING HARNESS	-
3	8	33614 - #10 LOCK WASHER	-
4	8	36028 - #10-24 NUT	-
5	8	33074 - #10 FLAT WASHER	-
6	8	72158 - #10-24x.75 TAPERED HEAD SCREW	-
7	2	SSHINGE - HINGE	-
8	4	54D148 - HINGE - LOAD GASKET	-
9	1	90102A030 - SPLIT RETAINING PIN	-
10	1	9435K5 - SPRING	-
11	1	95630A445 - TEFLON FLAT WASHER	-
12	1	91035A625 - THUMB SCREW	-
13	1	N1125257 - 1/4" NEOPRENE FLAT WASHER	-
14	1	57E136-1 PLUG BOX COVER AS.	1
15	1	161-0797 - LOAD SHARE MODULE(NOT SHOWN)	1

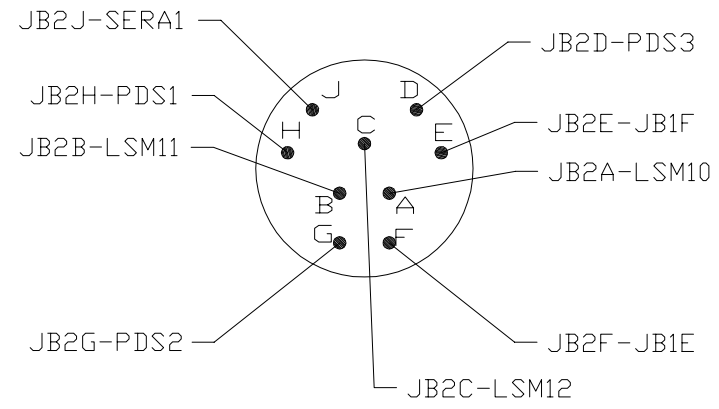
TOTAL 6



CONNECTOR JB1



VIEW B-B



CONNECTOR JB2

PARALLELING PORT ASSEMBLY

ALTORFER PACKAGING		ALTORFER POWER SYSTEMS		ALTORFER PACKAGING	
		#1 CAPITOL DRIVE P.O. BOX 2550 EAST PEORIA, IL. 61611-0550		PH. 309-694-1234 FAX 309-694-1262	
			JOB REF. APS550 JUNCTION BOX GP		
			DRN BY D. LUCAS		QUOTE NO.
			DATE 12-14-10		W/D NUMBER
			SCALE 1=10	FILE DF57	DRAWING NO.
NO. DESCRIPTION OF CHANGE BY DATE			SHEET 1 OF 1		85E122
PROPRIETARY INFORMATION UNAUTHORIZED DUPLICATION PROHIBITED					