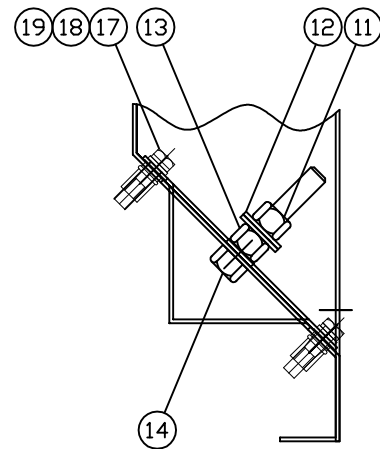
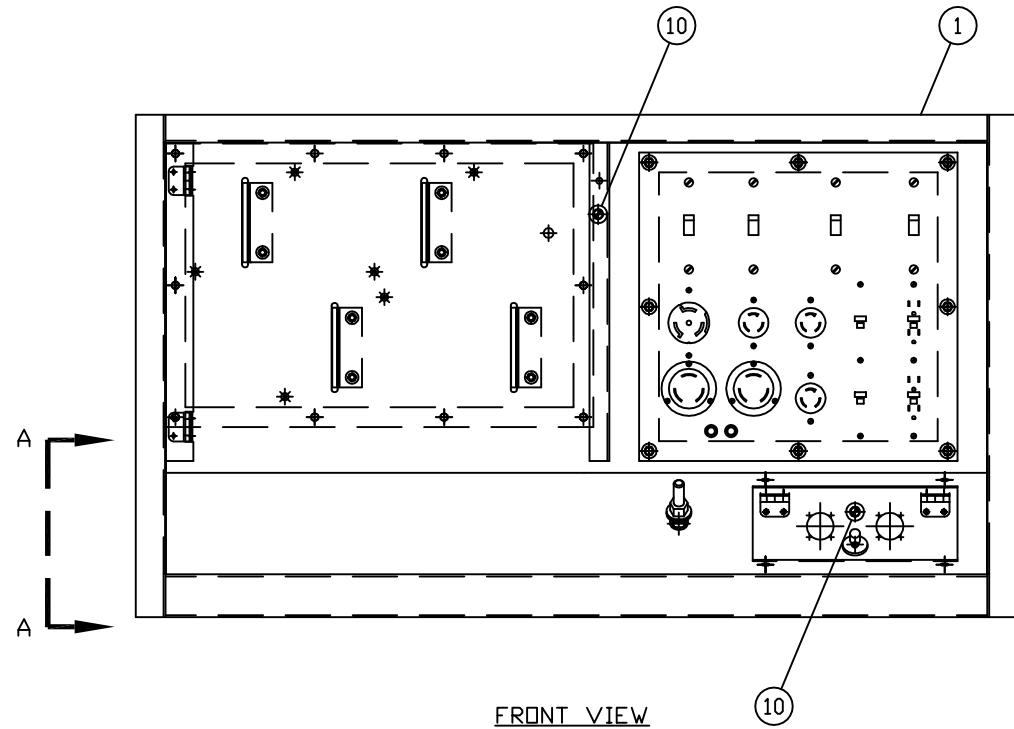


INCH 85E120

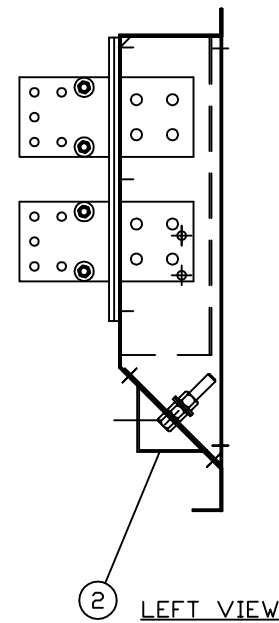
ITEM	QTY.	DESCRIPTION	WEIGHT
1	1	85E110 - LOAD PAN ASSEMBLY	41
2	1	85E122 - PLUG BOX ASSEMBLY	5
3	1	54A105-1 - AC DISTRIBUTION MOUNTING GP	14
4	8	13005 - 1/4-20NCx1.00 BOLT	-
5	10	13009 - 1/4-20NCx1.50 BOLT	-
6	18	33004 - 1/4" FLAT WASHER	-
7	18	71063 - 1/4" LOCK WASHER	-
8	10	36302 - 1/4-20NC NUT	-
9	1	57E173 - LOAD BUSS ASSEMBLY	4
10	2	6X288 - SAFETY TRIP SWITCH	-
11	2	HHSBN1213 - 1/2-13NC BRONZE NUT	-
12	2	HHSBFW12 - 1/2" BRONZE FLAT WASHER	-
13	1	HHSBLW12 - 1/2" BRONZE LOCK WASHER	-
14	1	HHS12133 - 1/2-13NCx3.00 BRONZE BOLT	-
15	1	50F1517 - AC DISTRIBUTION SCHEMATIC	-
16	1	80E160 - SHORE POWER HARNESS	-
17	4	70005 - SS BOLT 1/4-20x1	-
18	4	71063 - SS LOCK WASHER 1/4"	-
19	4	71803 - SS FLAT WASHER 1/4" - 5/8"	-
ESTIMATED WEIGHT -			227



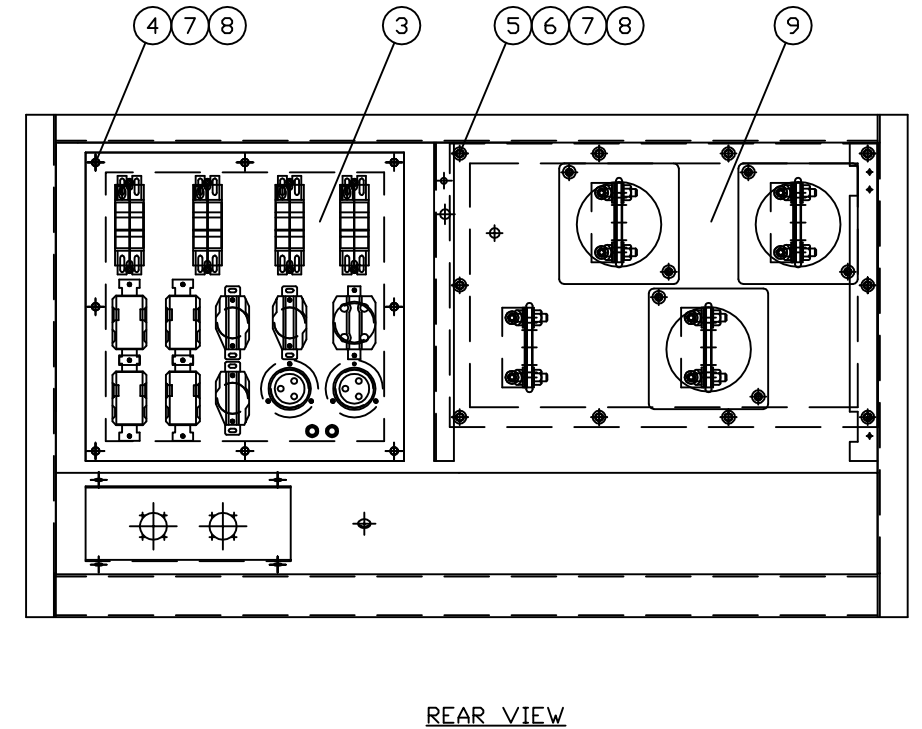
VIEW A-A
SCALE=2



FRONT VIEW



LEFT VIEW



REAR VIEW

NOTE: (15) - (16) INSTALL HARNESS 57E126 & 57E169
PER WIRE DIAGRAM 57E158

DATE BY		ALTORFER			ALTORFER POWER SYSTEMS		
		6315 W. FAUBER RD.			PHONE (309) 697-1234		
		BARTONVILLE, IL 61607			FAX (309) 282-7546		
THIS DOCUMENT CONTAINS PROPRIETARY INFORMATION OF ALTORFER, INC. WITHOUT THE WRITTEN PERMISSION OF ALTORFER, INC., ANY COPYING OR OTHER USE EXCEPT THAT FOR WHICH IT WAS INTENDED IS PROHIBITED							
CHANGE NOTICE	ALL DIMENSIONS IN INCHES UNLESS OTHERWISE SPECIFIED		FILE	PROJECT REFERENCE			
			DF\85A	APS 550			
	TOLERANCES: X.X ± 0.100 X.XX ± 0.060 X.XXX ± 0.005	THIRD ANGLE PROJECTION	SCALE/SHEET SIZE	DRAWN BY		QUOTE NUMBER	
			1=10/B	J. OLTMAN		0	
ANGULAR ± 1°		SHEET	DATE		WORK ORDER NUMBER		
		1 OF 1	7-28-08		0		
TITLE							DRAWING NUMBER
LOAD PAN ASSEMBLY							85E120
2	1	ND.					