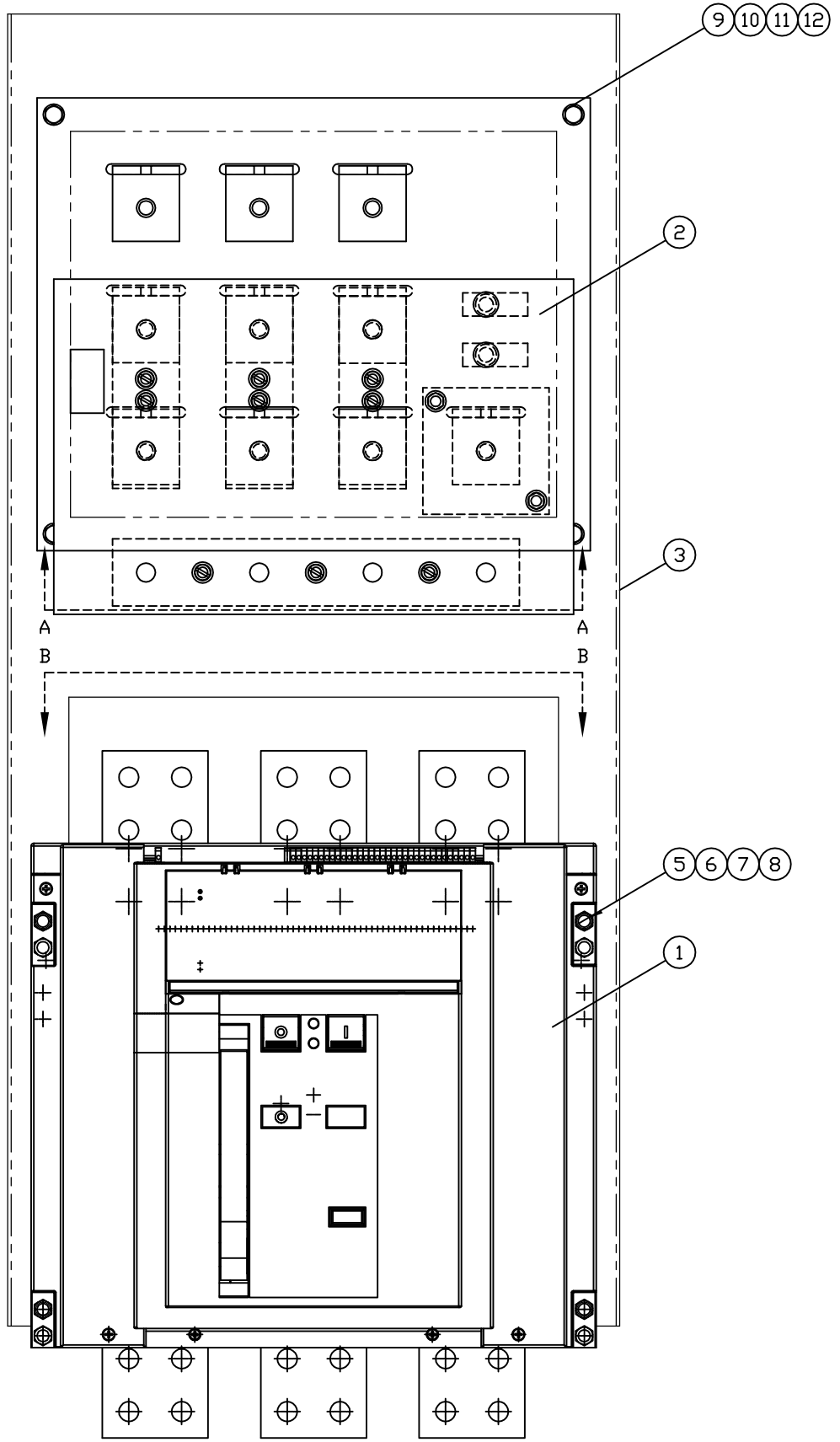


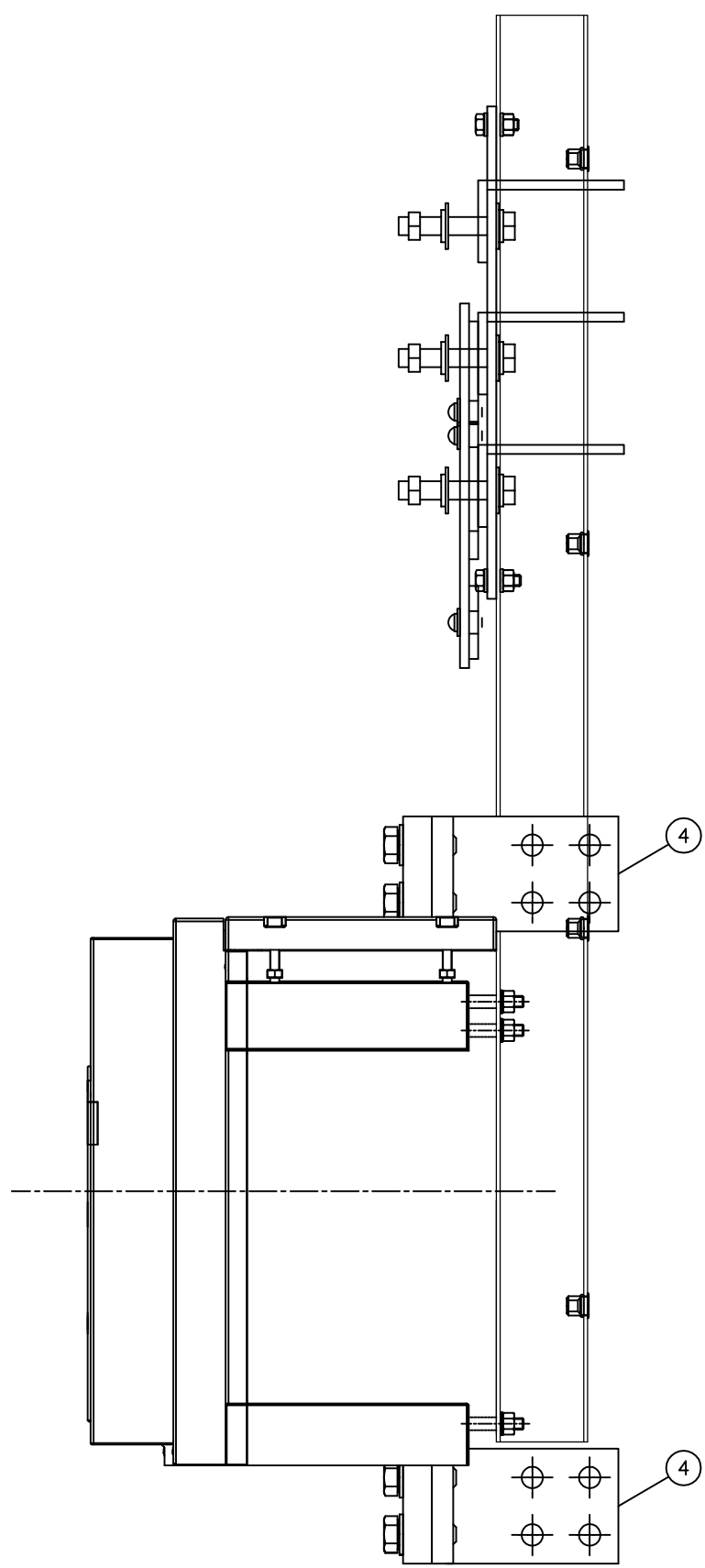
INCH 85E119-1

ITEM	QTY.	DESCRIPTION	WEIGHT
1	1	T8 - CIRCUIT BREAKER	80
2	1	57E143 - CHANGE-OVER BOARD GROUP	28
3	1	85E109-1 - BREAKER BRACKET	27
4	2	K8RT2500 - T-BARS	-
5	4	65035 - 3/8-16NCX1.75 BOLT	-
6	8	503 - 3/8 FLAT WASHER	-
7	4	530 - 3/8 LOCK WASHER	-
8	4	102 - 3/8-16NC NUT	-
9	4	65017 - 5/16-18NCX1.00 BOLT	-
10	8	502 - 5/16 FLAT WASHER	-
11	4	529 - 5/16 LOCK WASHER	-
12	4	101 - 5/16-18NC NUT	-
13	1	F170011 - 5/8 CLAMP	-

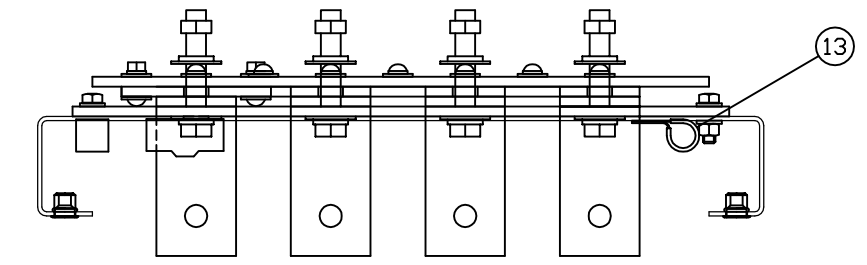
ESTIMATED WEIGHT - 171



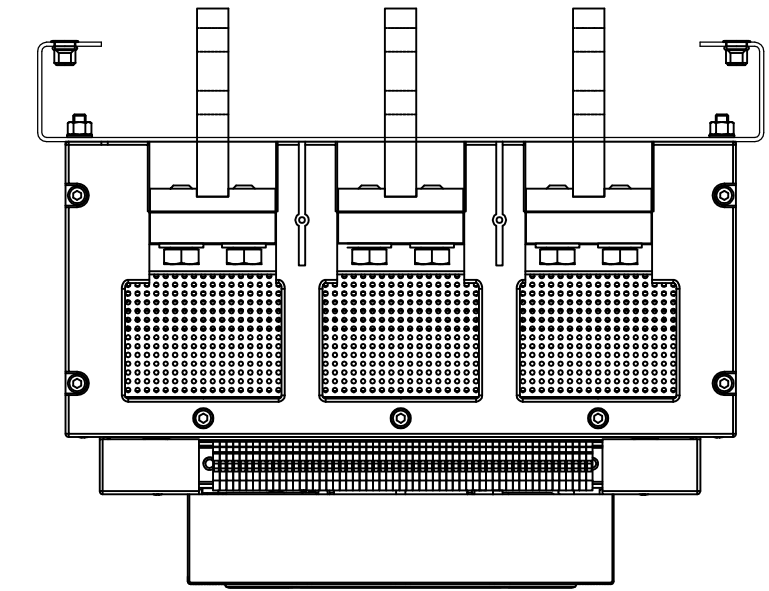
FRONT VIEW



LEFT SIDE VIEW



VIEW A-A



VIEW B-B

11/16/2010 D. ROLING	DATE	ALTORFER POWER SYSTEMS					
	BY	6315 W. FAUBER RD. PHONE (309) 697-1234 BARTONVILLE, IL 61607 FAX (309) 282-7546					
CHANGE TO TO ABB T8 C.B.	CHANGE NOTICE	THIS DOCUMENT CONTAINS PROPRIETARY INFORMATION OF ALTORFER, INC. WITHOUT THE WRITTEN PERMISSION OF ALTORFER, INC., ANY COPYING OR OTHER USE EXCEPT THAT FOR WHICH IT WAS INTENDED IS PROHIBITED					
		ALL DIMENSIONS IN INCHES UNLESS OTHERWISE SPECIFIED	FILE	PROJECT REFERENCE			
		TOLERANCES: X.X ± 0.100 X.XX ± 0.060 X.XXX ± 0.005	DF\85E	APS 550			
		ANGULAR ± 1°	SCALE/SHEET SIZE	DRAWN BY			
2	1	NIL	1 OF 1	9-23-08	DATE	J. OLTMAN	QUOTE NUMBER
TITLE						WORK ORDER NUMBER	0
BREAKER MOUNT ASSEMBLY						DRAWING NUMBER	85E119-1