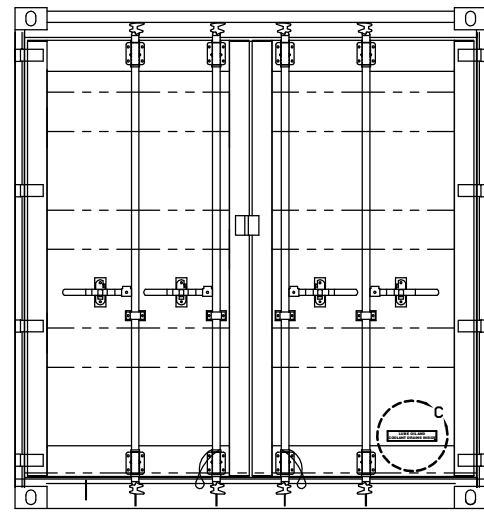
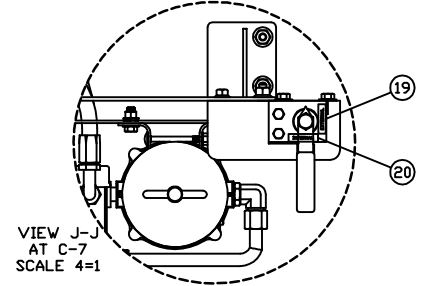
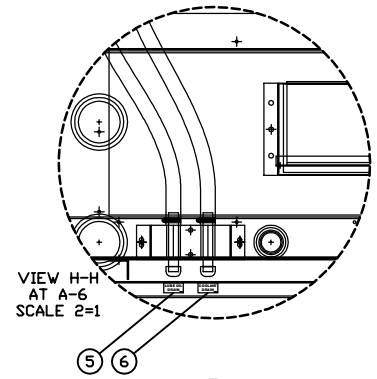


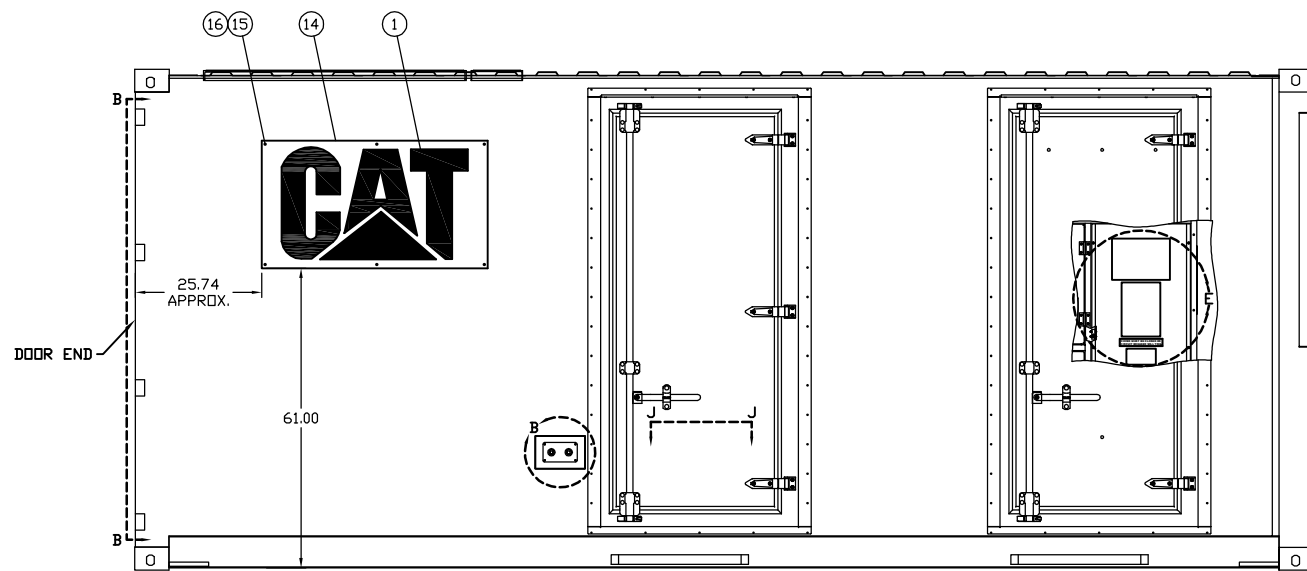
LEFT SIDE VIEW



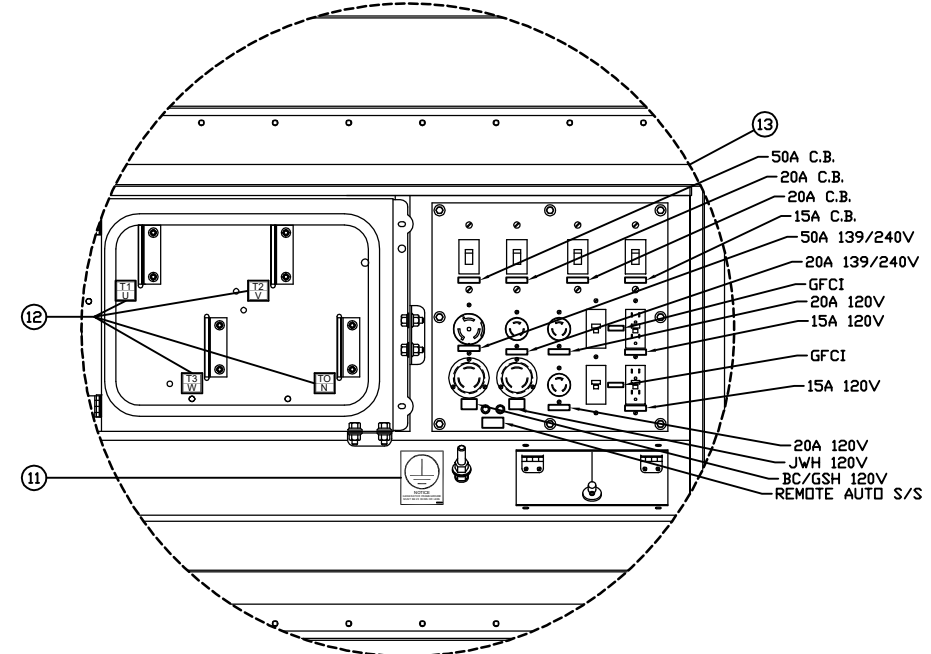
REAR VIEW



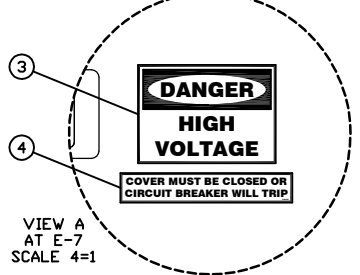
ITEM	QTY.	PART NO.	DESCRIPTION
1	2	231-0532	FILM - CAT RENTAL
2	1	80G105	INFORMATIONAL FILM
3	1	80G106	INFORMATIONAL FILM
4	2	80G107	INFORMATIONAL FILM
5	1	80G111	INFORMATIONAL FILM
6	1	80G112	INFORMATIONAL FILM
7	1	80G123	INFORMATIONAL FILM
8	1	80G124	INFORMATIONAL FILM
9	1	80G125	INFORMATIONAL FILM
10	1	80G126	INFORMATIONAL FILM
11	1	4W-5138	FILM - SYMBOL
12	1	9Y-4275	FILM
13	1	XQ500XFER	INFORMATIONAL FILM
14	2	85C145	FILM MOUNTING PLATE
15	12	30840	PSQ SMS 14X1 Z A KEG
16	12	NI125257	1/4" NEOPRENE WASHER
17	1	D RDLING	FILM (FUEL IN)
18	1	D RDLING	FILM (FUEL OUT)
19	1	D RDLING	FILM (EXTERNAL)
20	1	D RDLING	FILM (INTERNAL)
21	1	7W-4445	INFORMATIONAL FILM
22	1	244-3764	INFORMATIONAL FILM
23	1	315-3909	INFORMATIONAL FILM



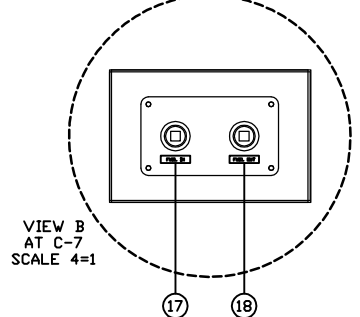
RIGHT SIDE VIEW



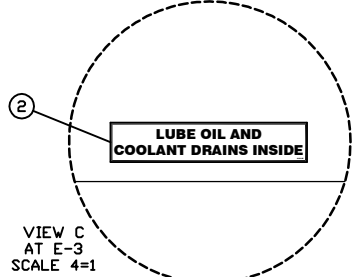
VIEW F AT B-7 SCALE 3=1



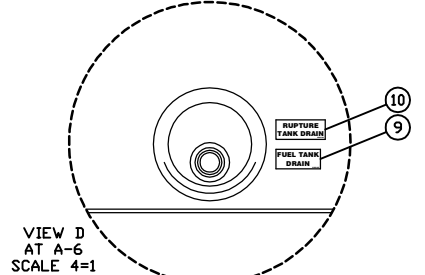
VIEW A AT E-7 SCALE 4=1



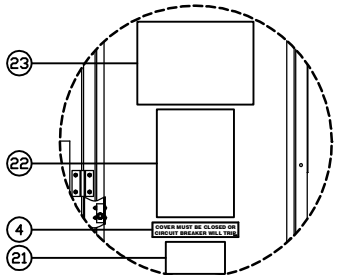
VIEW B AT C-7 SCALE 4=1



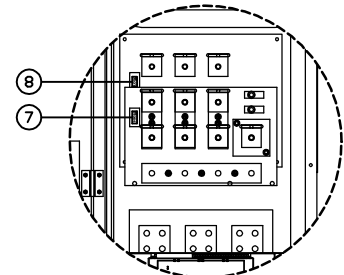
VIEW C AT E-3 SCALE 4=1



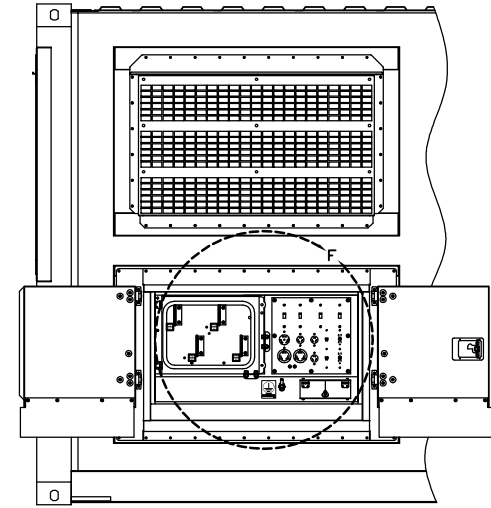
VIEW D AT A-6 SCALE 4=1



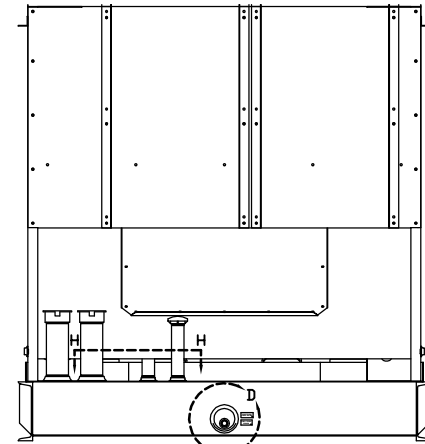
VIEW E AT D-5 SCALE 2=1



VIEW E SHOWN WITH COVER REMOVED



LEFT SIDE VIEW LOAD PAN DOORS OPEN



SECTION B-B AT E-2

DATE BY		ALTORFER		ALTORFER POWER SYSTEMS	
		6315 W. FAUBER RD.		PHONE (309) 697-1234	
		BARTONVILLE, IL 61607		FAX (309) 282-7546	
THIS DOCUMENT CONTAINS PROPRIETARY INFORMATION OF ALTORFER, INC. WITHOUT THE WRITTEN PERMISSION OF ALTORFER, INC., ANY COPYING OR OTHER USE EXCEPT THAT FOR WHICH IT WAS INTENDED IS PROHIBITED.		FILE		PROJECT REFERENCE	
ALL DIMENSIONS IN INCHES UNLESS OTHERWISE SPECIFIED		DF/85A		APS 550	
TOLERANCES: X.X ± 0.100		THIRD ANGLE PROJECTION		SCALE/SHEET SIZE	
X.XX ± 0.060		SHEET		1=20/D	
X.XXX ± 0.005		ANGULAR ± 1'		DRAWN BY J. DLTMAN	
CHANGE NOTICE		1 OF 1		DATE 7-27-10	
TITLE		FILM GROUP		WORK ORDER NUMBER 0	
				DRAWING NUMBER 85A110	