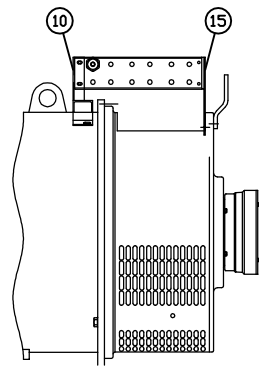
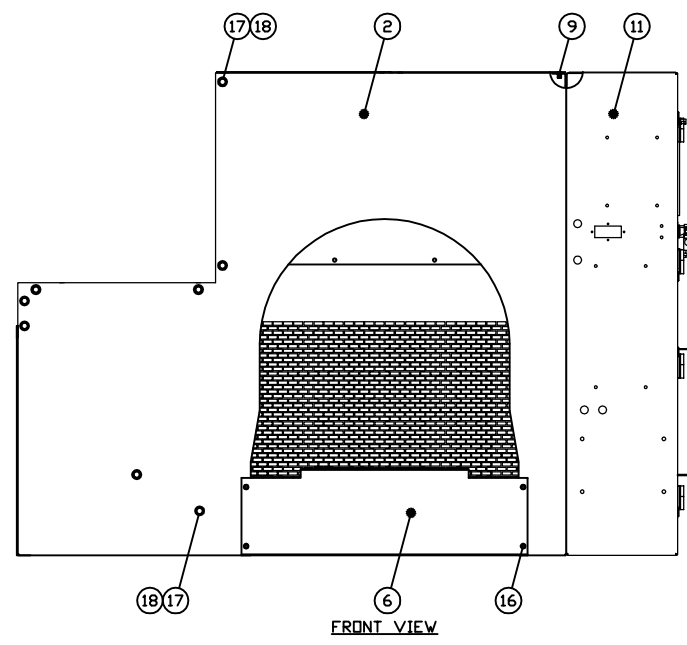
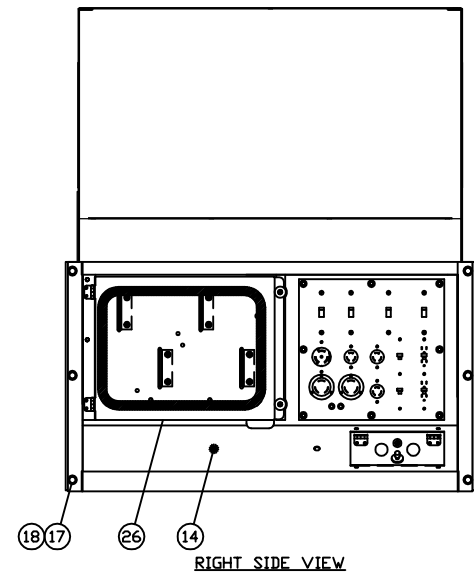
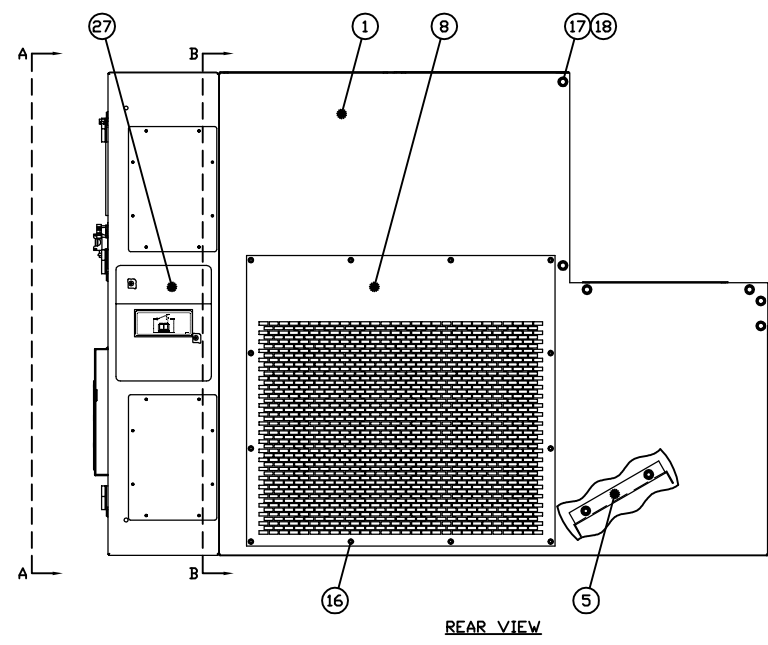
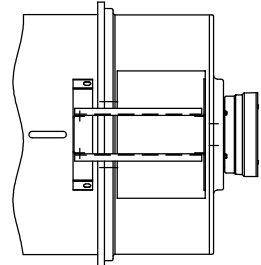
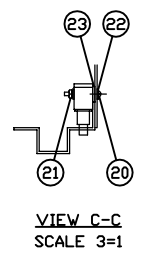
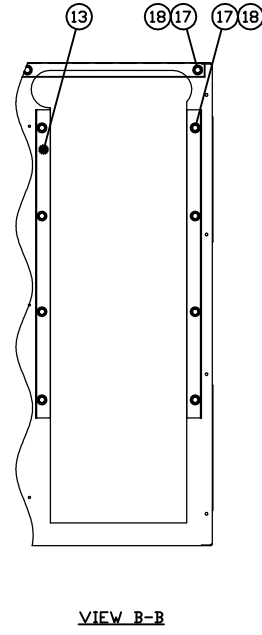
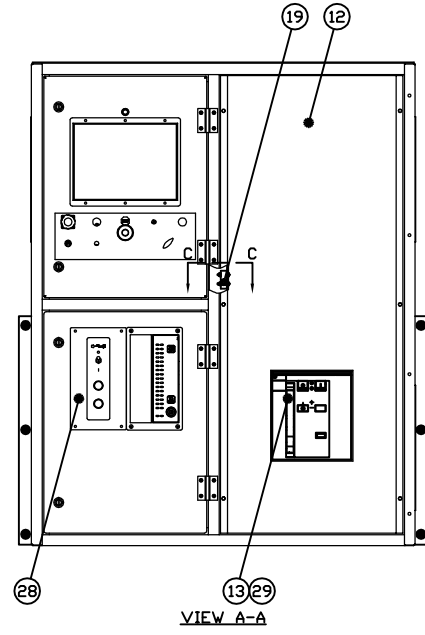
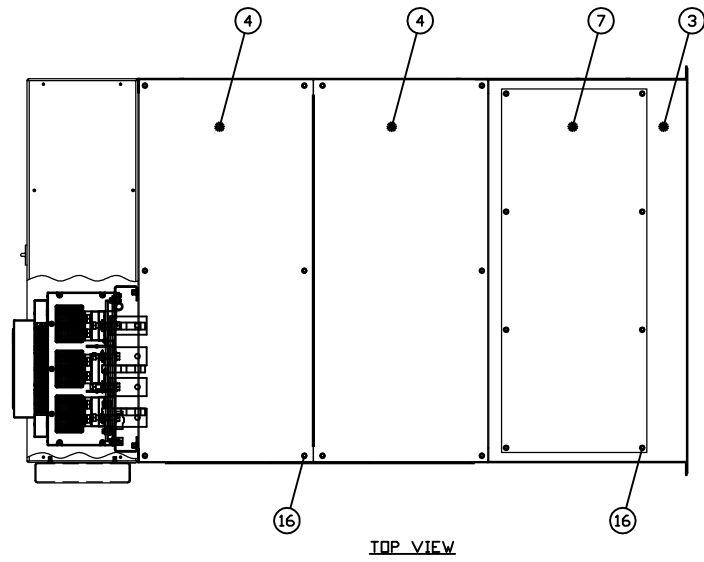


ITEM	QTY.	DESCRIPTION	WEIGHT
1	1	85E100 - JUNCTION BOX REAR	60
2	1	85E101 - JUNCTION BOX FRONT	66
3	1	85E102 - JUNCTION BOX TOP	55
4	2	85E103 - JUNCTION BOX LID	50
5	1	85E104 - CABLE SUPPORT	19
6	1	85E105 - JUNCTION BOX COVER	11
7	1	85E106 - ACCESS COVER	19
8	1	85E107 - INTAKE COVER	18
9	1	85E108 - LID SUPPORT	3
10	1	85E114 - FRONT ISOLATOR MOUNT	4
11	1	85E117 - CAT CB BOX	-
12	1	85E118 - CAT CB BOX COVER	-
13	1	85E119 - BREAKER MOUNT ASSEMBLY	171
14	1	85E120 - LOAD PAN ASSEMBLY	227
15	1	85E121 - REAR ISOLATOR MOUNT	-
16	35	54812 - 1/4-20NCX0.75 WHIZLOCK BOLT	-
17	33	54840 - 3/8-16NCX1.00 WHIZLOCK BOLT	-
18	33	272388 - 3/8-16NC WHIZLOCK NUT	-
19	1	6X288 - SAFETY TRIP SWITCH	-
20	1	90057 - 6-32X1.25 SCREW	-
21	1	1206 - 6-32 SCREW NUT	-
22	1	522 - #6 FLATWASHER	-
23	1	511 - #10 FLATWASHER	-
24			
25	1	MBC19 - BATTERY CHARGER	-
26	1	57A104 - LOAD COVER DOOR ASSEMBLY	24
27	1	5P-9796 - DOCUMENT BOX	1
28	1	80E185 - SYNCH MODULE AS	-
29	1	KE6DC - IP54 TRANSPARENT COVER	-
ESTIMATED WEIGHT -			728



ALTORFER POWER SYSTEMS 6315 W. FAUBER RD. PHONE (309) 697-1234 BARTONVILLE, IL 61807 FAX (309) 282-7546	
THIS DOCUMENT CONTAINS PROPRIETARY INFORMATION OF ALTORFER, INC. WITHOUT THE WRITTEN PERMISSION OF ALTORFER, INC. ANY COPYING OR OTHER USE EXCEPT THAT FOR WHICH IT WAS INTENDED IS PROHIBITED.	ALL DIMENSIONS IN INCHES UNLESS OTHERWISE SPECIFIED
TOLERANCES: .XX ± 0.100 .XXX ± 0.060 .XXXX ± 0.005 ANGULAR ± 1°	THIRD ANGLE PROJECTION
CHANGE TO ABB. C.B. 1 1-24-08 DATE BY	FILE DF\85A PROJECT REFERENCE APS 550
CHANGE NOTICE 1 9-24-08 DATE	SCALE/SHEET SIZE 1=15/C SHEET 1 OF 1
DRAWN BY J. DLTMAN QUOTE NUMBER 0	WORK ORDER NUMBER 0
TITLE JUNCTION BOX GROUP	DRAWING NUMBER 85A109-2