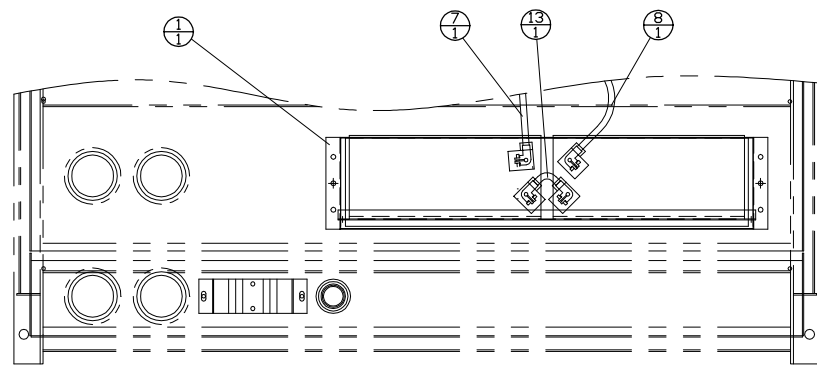
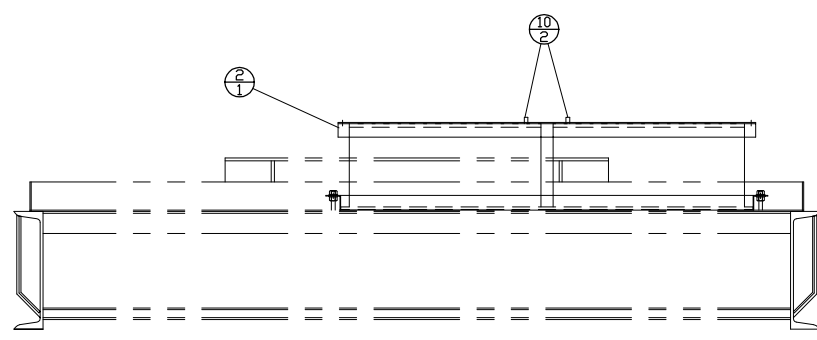


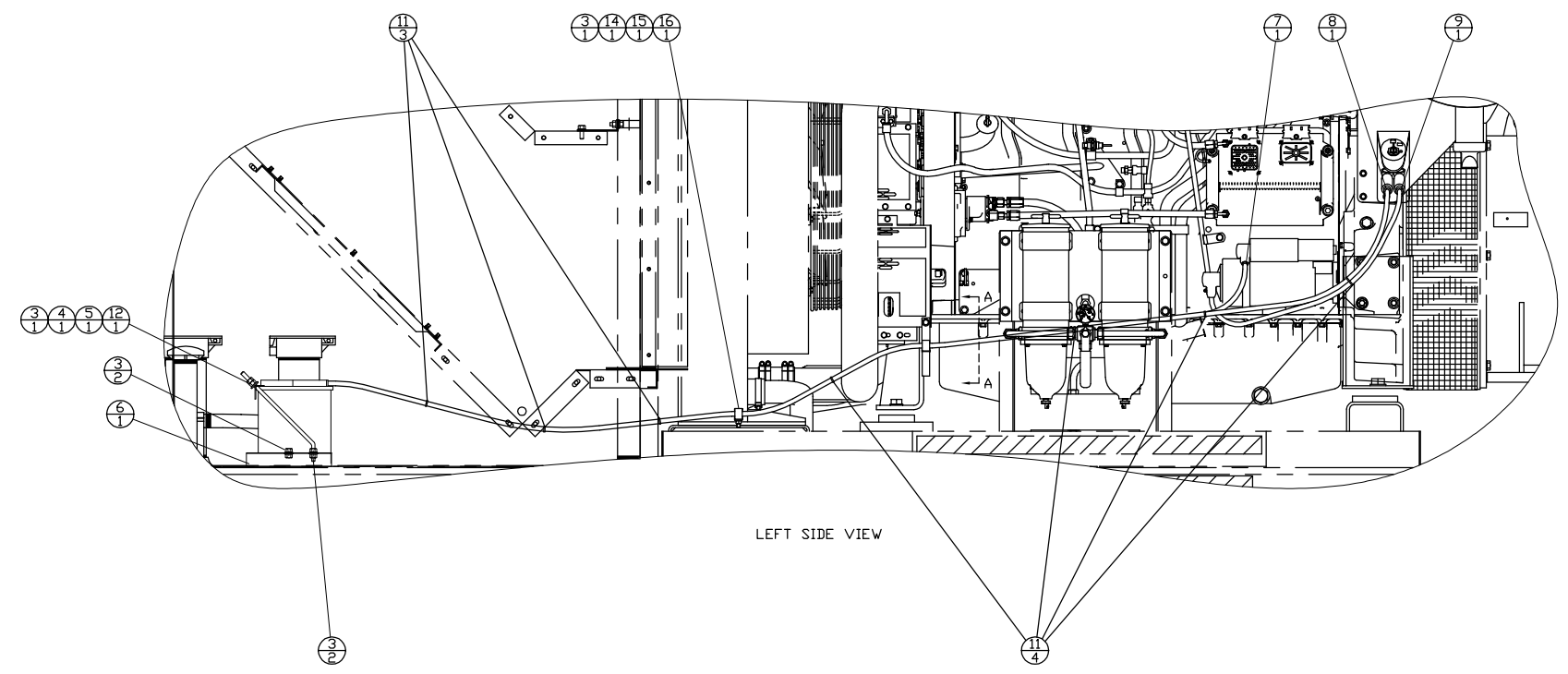
ITEM	QTY.	DESCRIPTION	WEIGHT
1	1	54E132 - BATTERY BASE	-
2	1	52C173 - BATTERY TIE DOWN	-
3	13	198-2970 - 3/8" WHIZLOCK NUT	-
4	2	8T-4896 - 3/8" FLAT WASHER	-
5	2	6V-8801 - 3/8-16NC NUT	-
6	1	BB12 - 1/4" PLYWOOD - 41 x 9	-
7	1	85C152 - BP1 CABLE ASSEMBLY	-
8	1	85C153 - BN1 CABLE ASSEMBLY	-
9	1	85C151 - BN1 CABLE ASSEMBLY	-
10	2	9X9730 - 8D 24 V BATTERY	-
11	7	PLT4S-M - WHITE CABLE TIE	-
12	2	HRACK ROD - 3/8" THREADED ROD 14 Lg.	-
13	1	CAT SUPPLIED - B01 CABLE ASSEMBLY	-
14	3	345-8531 - 3/8-16NCx1 WHIZLOCK BOLT	-
15	2	4S-4455 - 1" P-CLIP	-
16	2	9N-1394 - CLAMP BRACKET	-
17	1	59315 - 2-1/2" P-CLIP	-



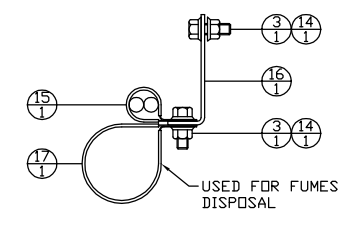
TOP VIEW



FRONT VIEW



LEFT SIDE VIEW



VIEW A-A
SCALE 3=1

USED FOR FUMES DISPOSAL

		ALTORFER POWER SYSTEMS 6315 W. FAUBER RD. PHONE (309) 697-1234 BARTONVILLE, IL 61607 FAX (309) 282-7546		
		THIS DOCUMENT CONTAINS PROPRIETARY INFORMATION OF ALTORFER, INC. WITHOUT THE WRITTEN PERMISSION OF ALTORFER, INC., ANY COPYING OR OTHER USE EXCEPT THAT FOR WHICH IT WAS INTENDED IS PROHIBITED.		
CHANGE NOTICE NO. 1	ALL DIMENSIONS IN INCHES UNLESS OTHERWISE SPECIFIED	FILE DF\85A	PROJECT REFERENCE XQ800	
	TOLERANCES: .XX ± 0.100 .XXX ± 0.060 .XXXX ± 0.005	THIRD ANGLE PROJECTION	SCALE/SHEET SIZE 1=10/D	DRAWN BY J. DLTMAN
	ANGULAR ± 1'		SHEET 1 OF 1	DATE 11-29-10
	TITLE BATTERY MOUNTING GP			QUOTE NUMBER - WORK ORDER NUMBER - DRAWING NUMBER 85A107