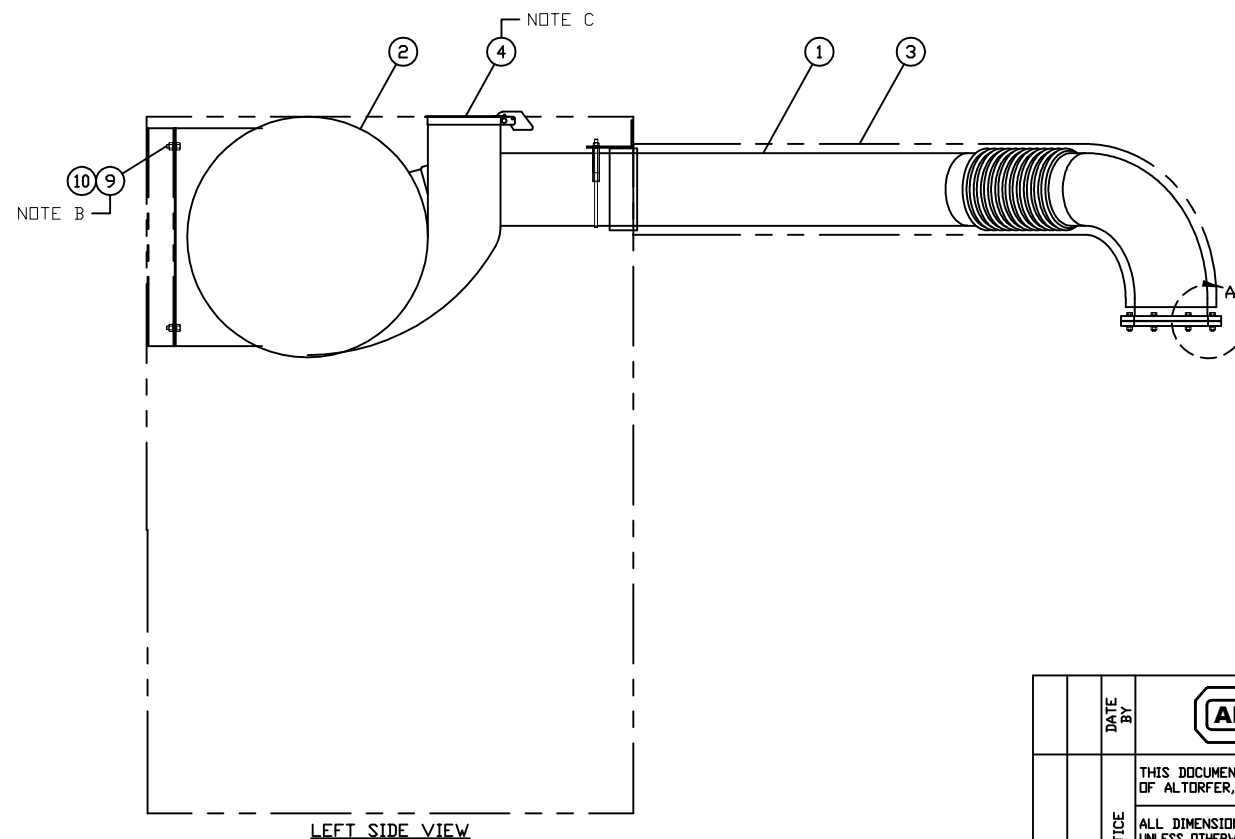
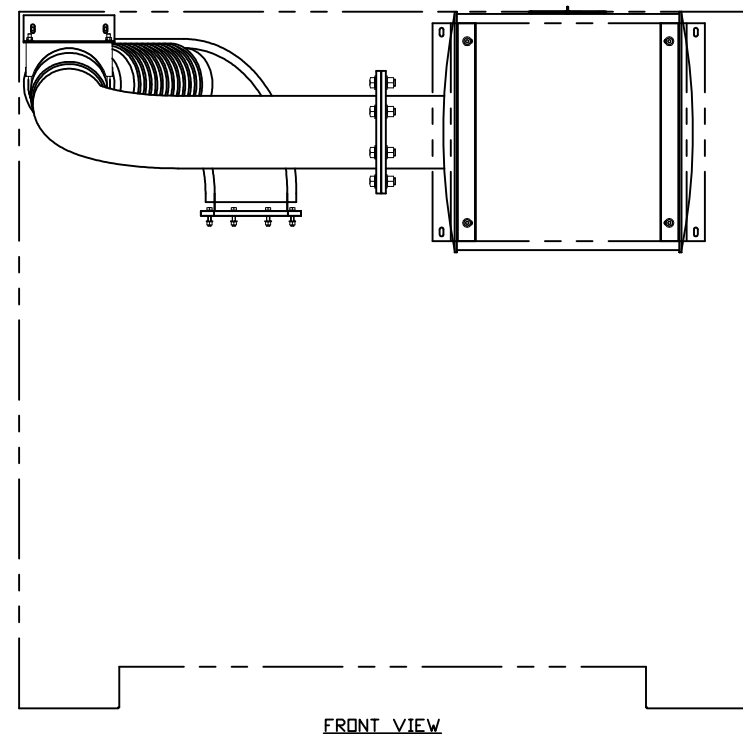
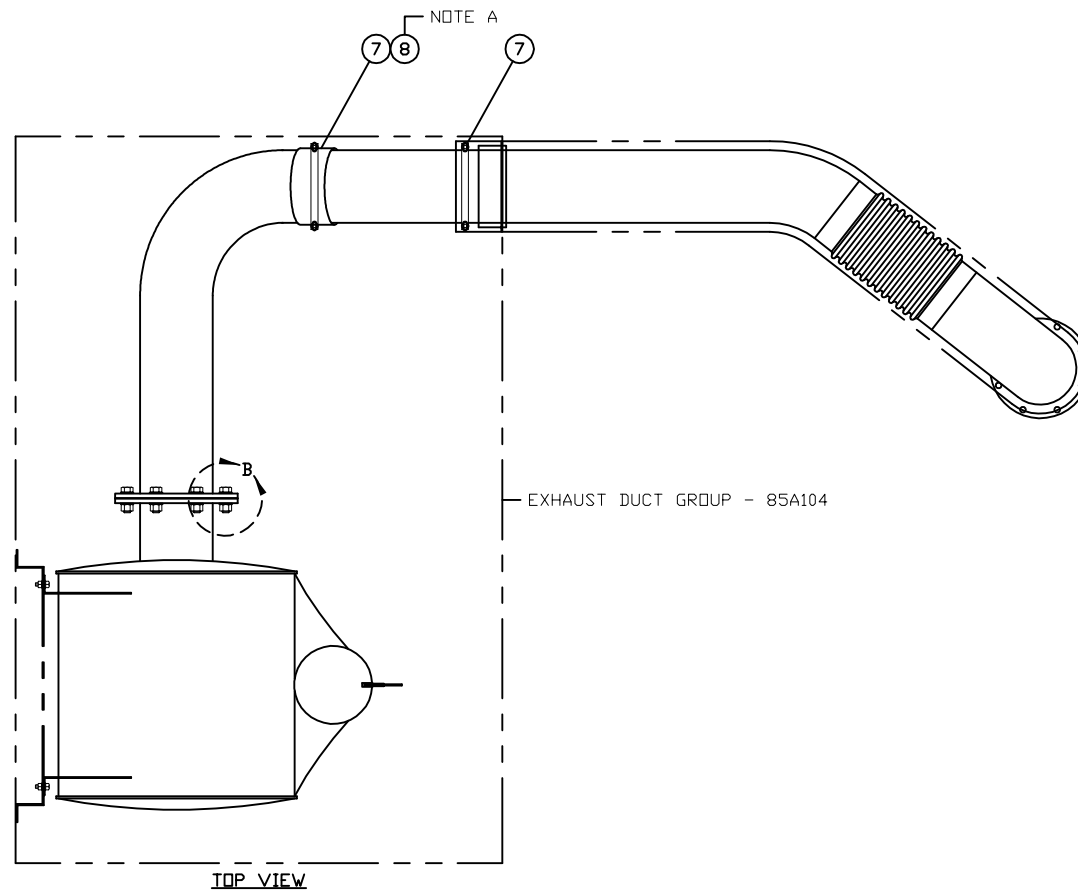
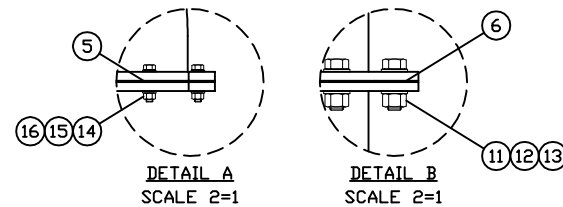


ITEM	QTY.	DESCRIPTION	WEIGHT
1	1	85D117 - EXHAUST ASSEMBLY	-
2	1	57D126 - SILENCER ASSEMBLY	-
3	1	85D118 - EXHAUST BLANKET	-
4	1	57D124 - RAINCAP	-
5	1	5L-3773 - 8' CAT GASKET	-
6	1	GHT8 - GASKET - HIGH TEMP 8'	-
7	2	85D119 - CLAMP	-
8	1	SEALER - MTK-1 PERMATEX SEALANT	-
9	4	345-8531 - BOLT 3/8-16NC X 1	-
10	4	198-2970 - NUT 3/8-16NC	-
11	8	1A-8063 - 3/4-10 X 2.25 BOLT	-
12	16	5P-8248 - 3/4 FLATWASHER	-
13	8	2J-3506 - 3/4-10 NUT	-
14	8	5S-7383 - 3/8-16 X 1.75 BOLT	-
15	16	8T-4896 - 3/8 FLATWASHER	-
16	8	6V-8801 - 3/8-16 NUT	-



NOTES
 A: COAT MALE PIPE AROUND PERIMETER BEFORE INSTALLING INTO FEMALE CUFF.
 B: ADJUST AND TIGHTEN EXHAUST SYSTEM SO EXHAUST PIPE 85D117 IS CENTERED IN EXHAUST DUCT THIMBLE.
 C: INSTALL EXHAUST RAIN CAP 57D124 AFTER GEN SET IS INSTALLED IN CONTAINER.

DATE BY		ALTORFER POWER SYSTEMS 6315 W. FAUBER RD. PHONE (309) 697-1234 BARTONVILLE, IL 61607 FAX (309) 282-7546		
				THIS DOCUMENT CONTAINS PROPRIETARY INFORMATION OF ALTORFER, INC. WITHOUT THE WRITTEN PERMISSION OF ALTORFER, INC., ANY COPYING OR OTHER USE EXCEPT THAT FOR WHICH IT WAS INTENDED IS PROHIBITED.
CHANGE NOTICE	FILE	PROJECT REFERENCE		
	DF\85A	APS 550		
	TOLERANCES: X.X ± 0.100 X.XX ± 0.060 X.XXX ± 0.005	SCALE/SHEET SIZE 1=15/C	DRAWN BY J. OLTMAN	QUOTE NUMBER 0
	THIRD ANGLE PROJECTION	SHEET 1 OF 1	DATE 8-28-08	WORK ORDER NUMBER 0
ANGULAR ± 1°	TITLE EXHAUST MOUNTING GROUP		DRAWING NUMBER 85A105	
2	1	ND		