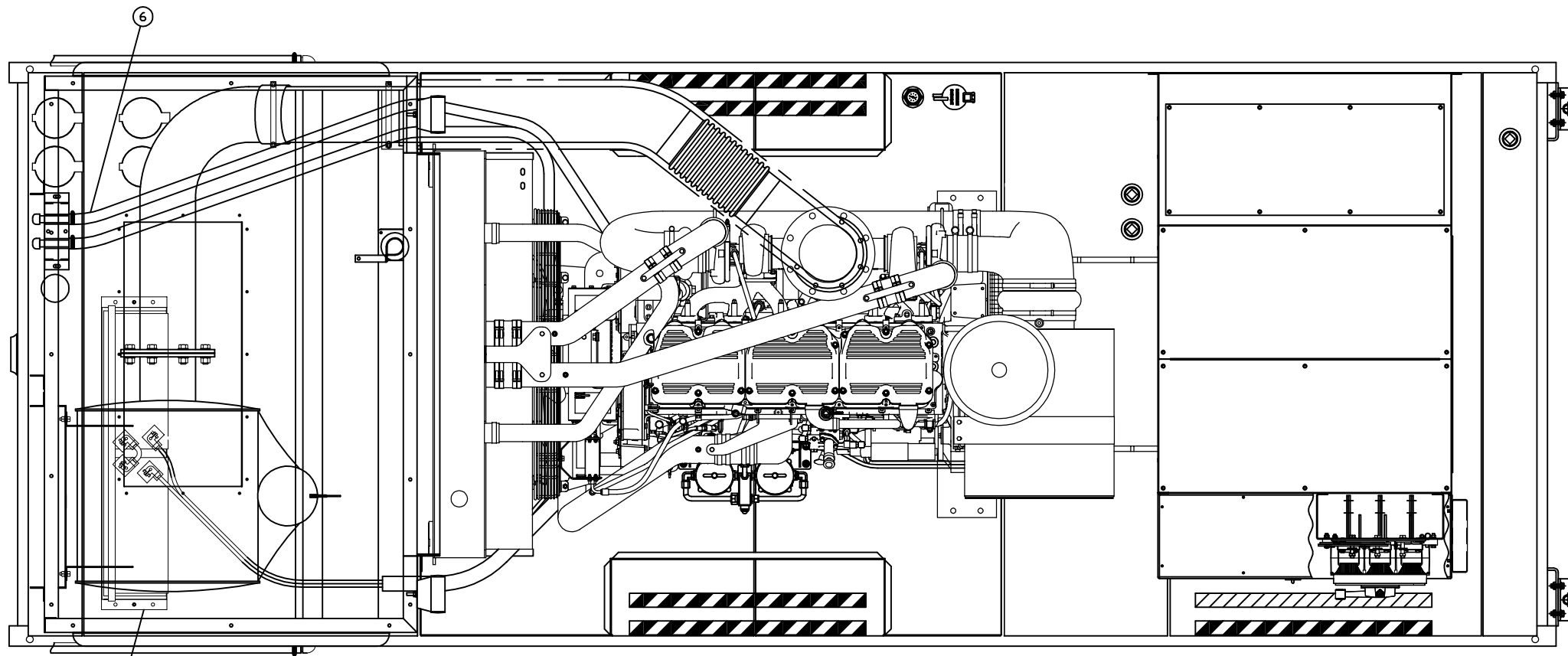
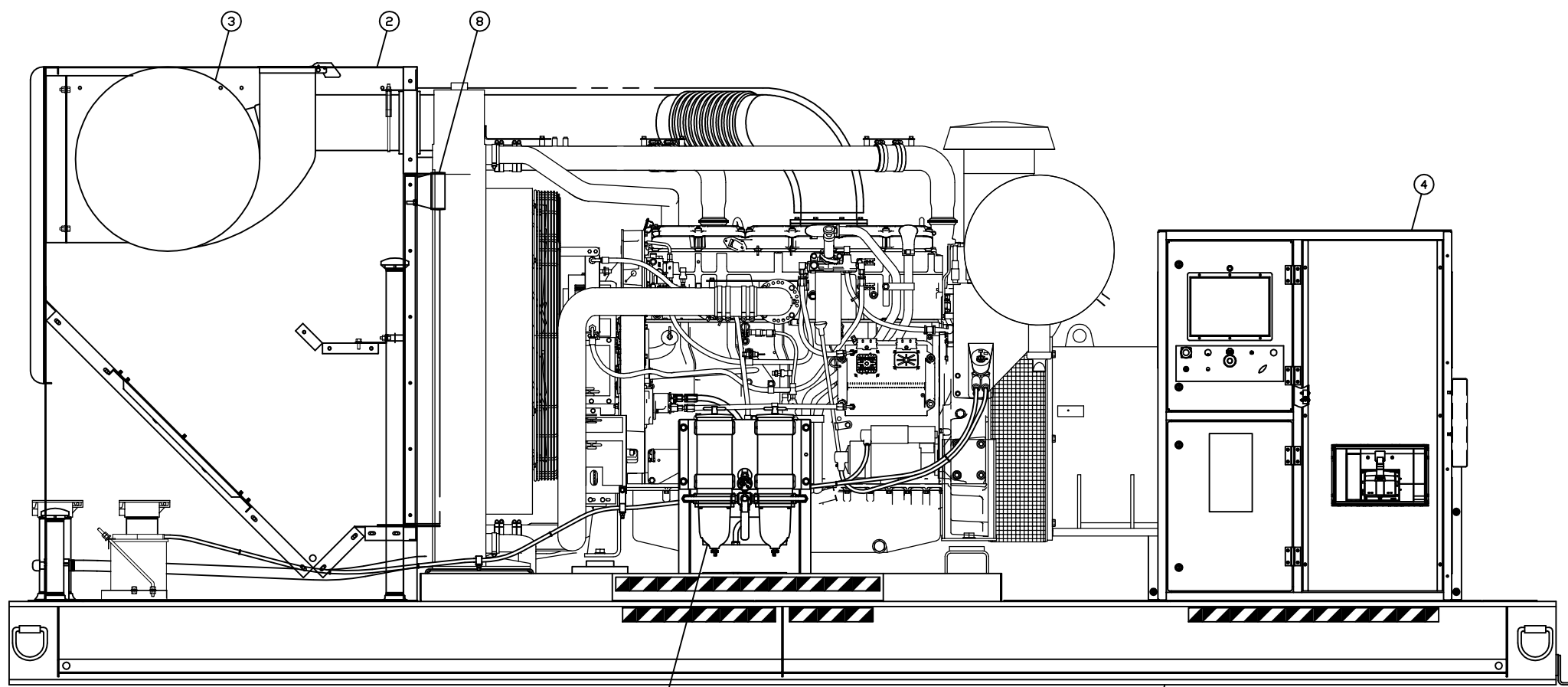


ITEM	QTY.	DESCRIPTION	WEIGHT
1	1	85A103 - BASE MOUNTING GROUP	4,213
2	1	85A104 - EXHAUST DUCT MTG GROUP	818
3	1	85A105 - EXHAUST MTG GROUP	-
4	1	85A109 - JUNCTION BOX GROUP	703
5	1	85A107 - BATTERY MTG GROUP	115
6	1	85A108 - WATER & OIL DRAIN GROUP	9
7	1	85A106 - LINES GROUP - FUEL	22
8	1	57A127 - INTERIOR LIGHTS GROUP	6



TOP VIEW



LEFT SIDE VIEW

6-7-08 DATE BY CHANGE NOTICE 1 ADDED BSCS TO CONSIST	ALTORFER 6315 W. FAUBER RD. PHONE (309) 697-1234 BARTONVILLE, IL 61607 FAX (309) 282-7546	
	THIS DOCUMENT CONTAINS PROPRIETARY INFORMATION OF ALTORFER, INC. WITHOUT THE WRITTEN PERMISSION OF ALTORFER, INC., ANY COPYING OR OTHER USE EXCEPT THAT FOR WHICH IT WAS INTENDED IS PROHIBITED.	
ALL DIMENSIONS IN INCHES UNLESS OTHERWISE SPECIFIED TOLERANCES: X.X ± 0.100 X.XX ± 0.060 X.XXX ± 0.005 ANGULAR ± 1°	FILE DF\85A	PROJECT REFERENCE APS 550
	SCALE/SHEET SIZE 1=15/C	DRAWN BY J. DLTMAN
SHEET 1 OF 1	DATE 9-30-08	WORK ORDER NUMBER 0
TITLE POWER PACK	DRAWING NUMBER 85A102-1	