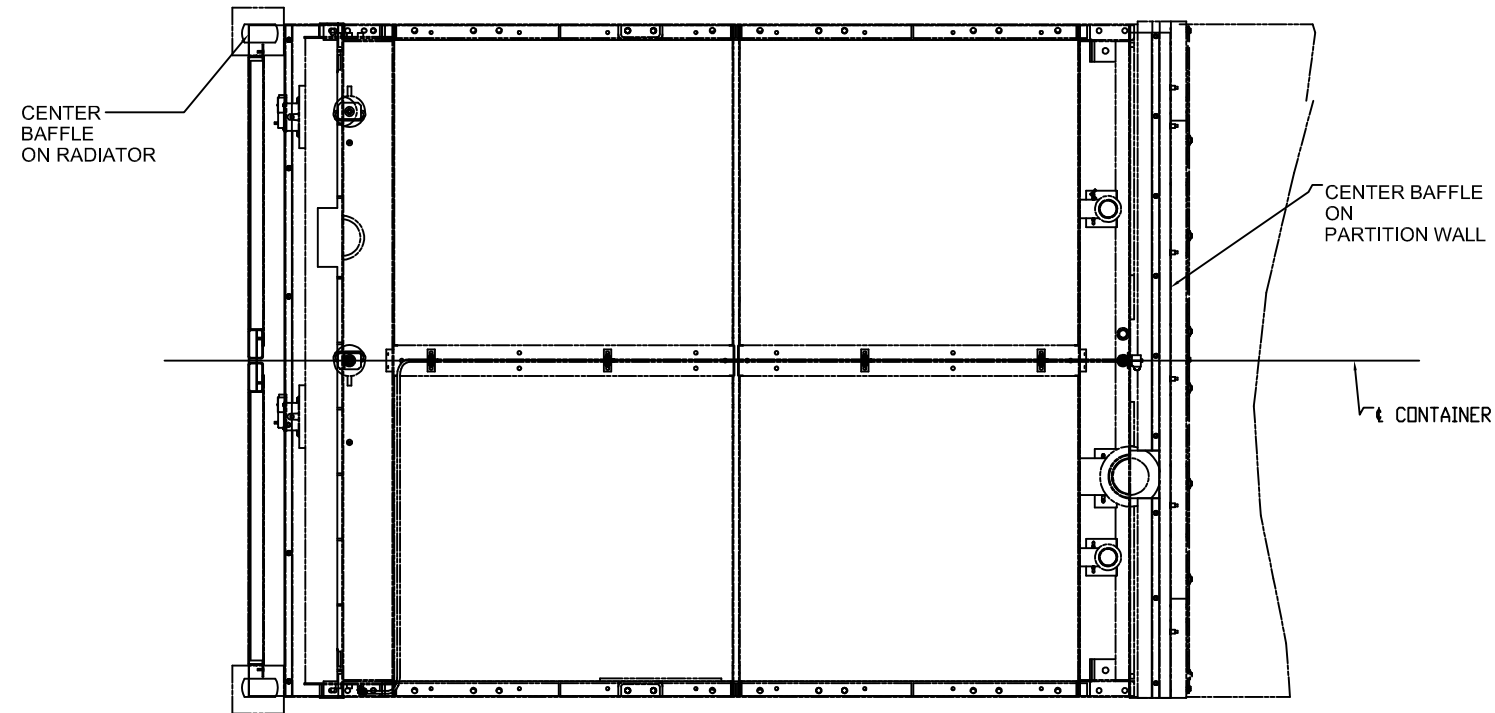
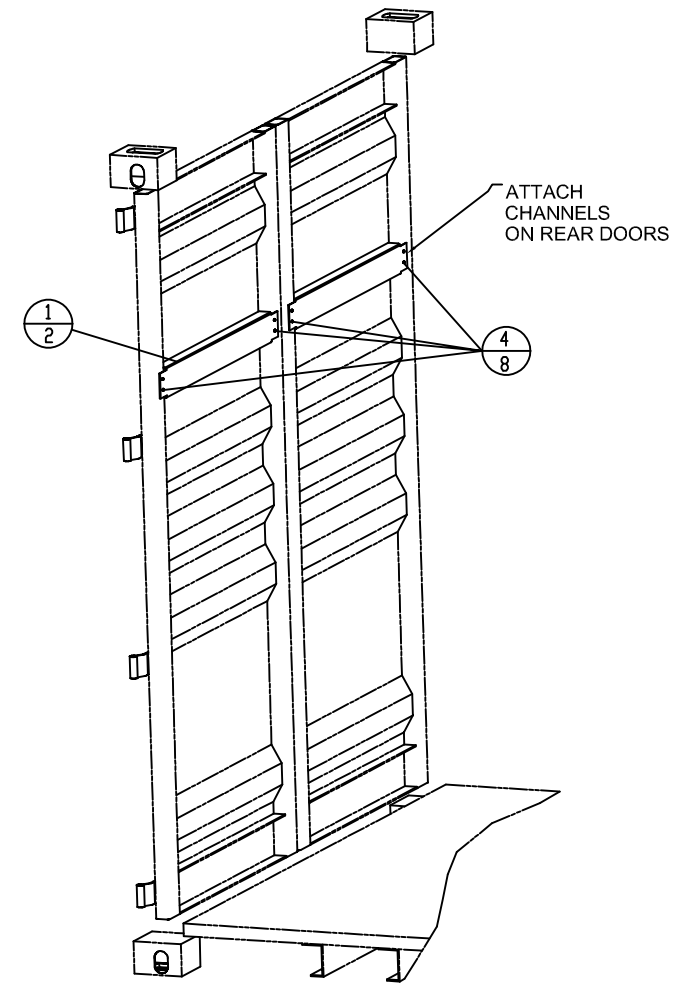


INCH 83A240

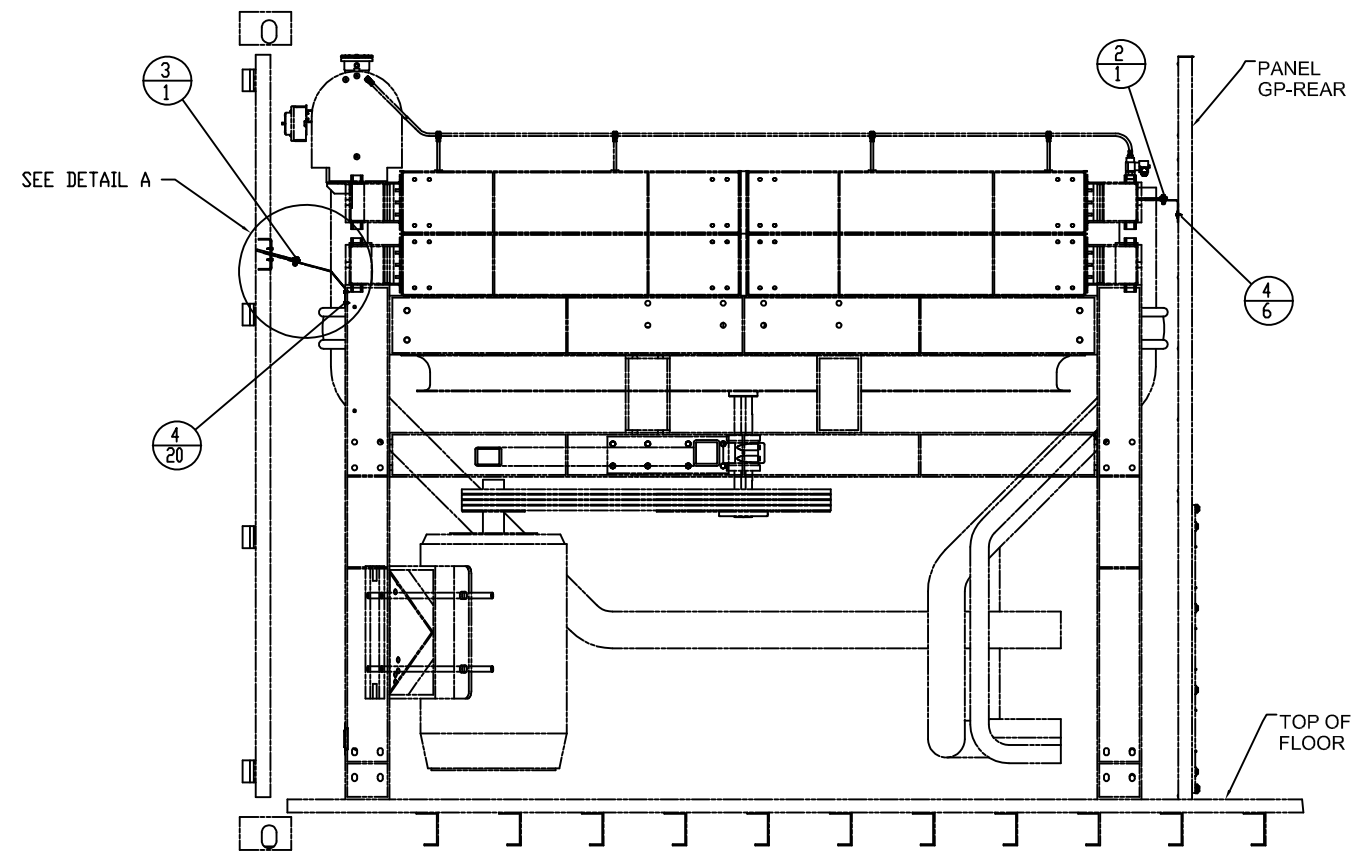
ITEM	QTY.	PART No.	DESCRIPTION
1	2	189-9827	CHANNEL ASSY.
2	1	190-1326	BAFFLE ASSY.
3	1	190-1327	BAFFLE ASSY.
4	34	109-0147	SCREW-ZIP



TOP VIEW



CHANNEL PLACEMENT



CURBSIDE VIEW

BAFFLE GROUP MUST BE INSTALLED PRIOR TO RADIATOR INSTALLATION

FINISH	
MATERIAL	
NOTE	1E0507 IDENT
	1E0011 INTPR & TOL
	MANUFACTURING SPECIFICATIONS

DATE BY		ALTORFER POWER SYSTEMS	
		6315 W. FAUBER RD. PHONE (309) 697-1234 BARTONVILLE, IL 61807 FAX (309) 282-7546	
THIS DOCUMENT CONTAINS PROPRIETARY INFORMATION OF ALTORFER, INC. WITHOUT THE WRITTEN PERMISSION OF ALTORFER, INC., ANY COPYING OR OTHER USE EXCEPT THAT FOR WHICH IT WAS INTENDED IS PROHIBITED		FILE	PROJECT REFERENCE
ALL DIMENSIONS IN INCHES UNLESS OTHERWISE SPECIFIED		DF/83A	3516B REMAN RENTAL UNIT
TOLERANCES: X.X ± 0.100 X.XX ± 0.060 X.XXX ± 0.005	THIRD ANGLE PROJECTION	SCALE/SHEET SIZE	DRAWN BY
ANGULAR ± 1°		1=5/A	D. ROLING
		SHEET	DATE
		1 OF 1	01/14/2019
TITLE			ENGINEERING STATUS
			PROTO PET PROD
			0 0 X
			DRAWING NUMBER
			83A240