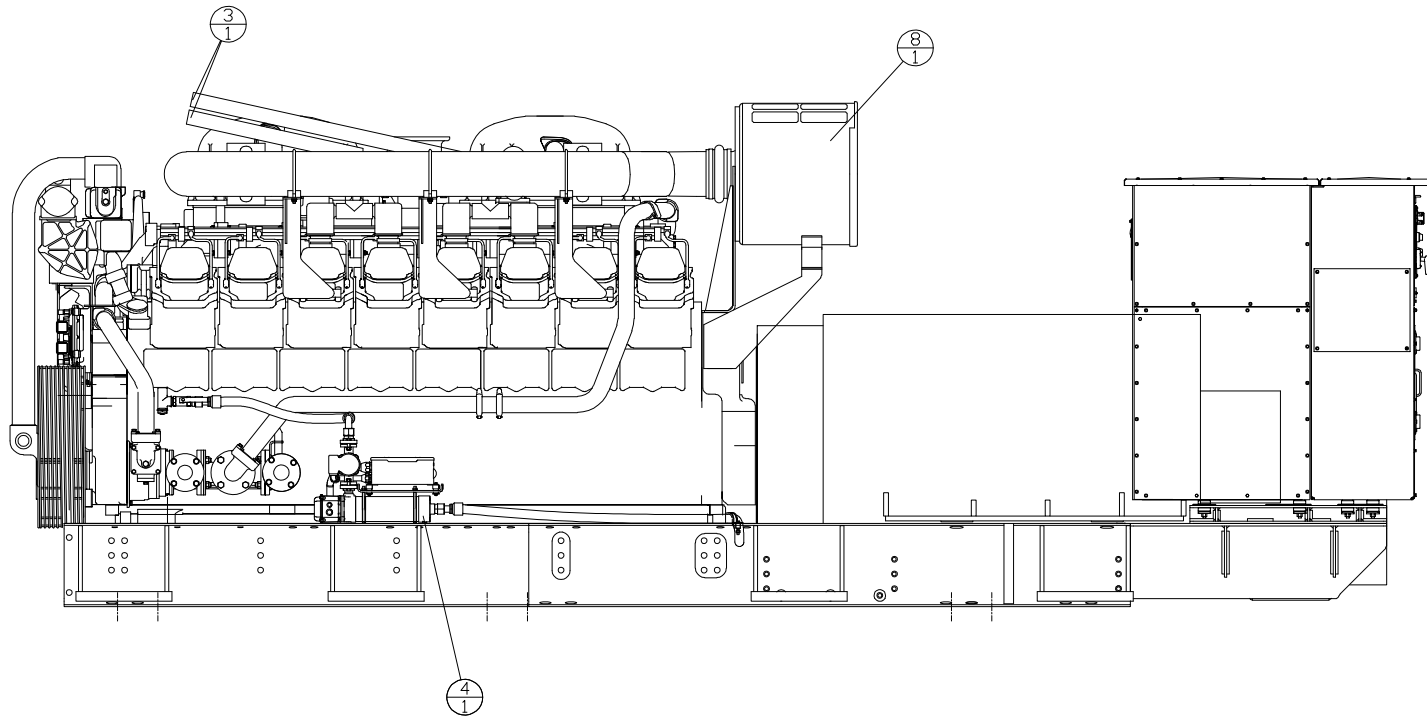
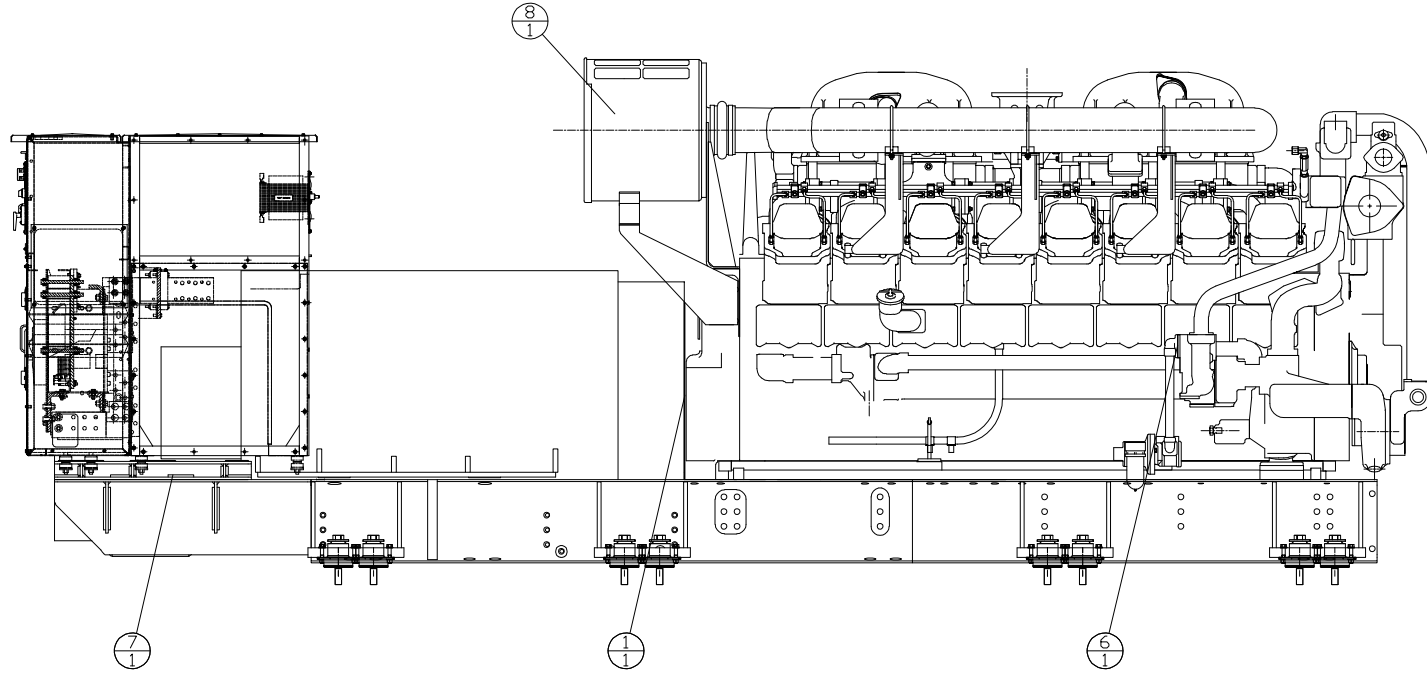
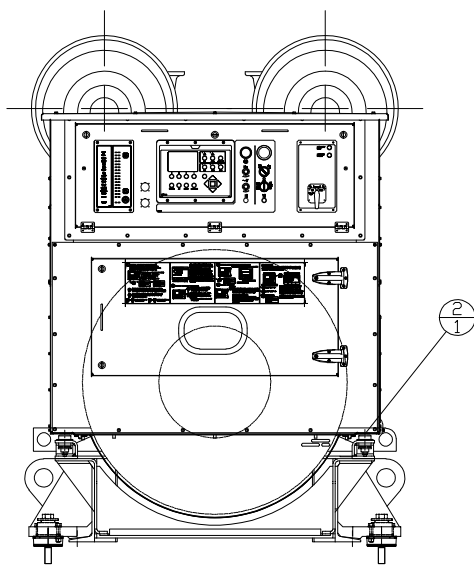
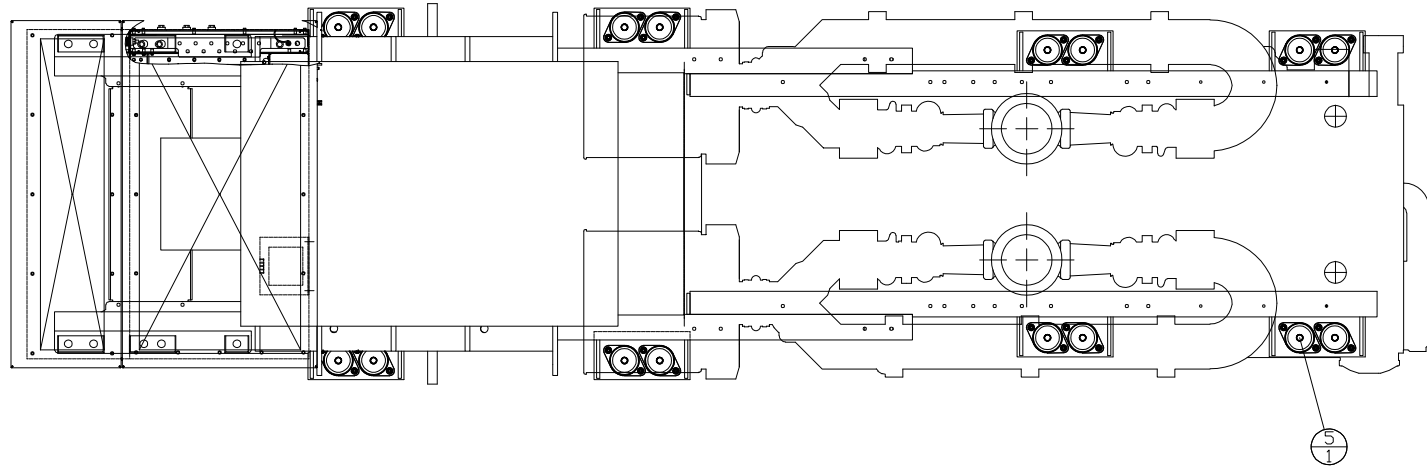


ITEM	QTY.	P/N	DESCRIPTION
1	1	252-5590	GENERATOR COUPLING GROUP
2	1	83A207	BOGHOUSE MOUNTING GROUP
3	1	83A208	CLOSED CRANKCASE MOUNTING GROUP
4	1	83A209	JACKET WATER HEATER MOUNTING GROUP
5	1	83A210	GENSET MOUNTING GROUP
6	1	83A211	QUICK FIT MOUNTING GROUP
7	1	83A212	BASE/RAIL EXTENSION MOUNTING GROUP
8	1	83A238	AIR CLEANER MOUNTING GROUP



		<b>ALTORFER POWER SYSTEMS</b> 6315 W. FAUBER RD.      PHONE (309) 697-1234 BARTONVILLE, IL 61807      FAX (309) 282-7546		
		THIS DOCUMENT CONTAINS PROPRIETARY INFORMATION OF ALTORFER, INC. WITHOUT THE WRITTEN PERMISSION OF ALTORFER, INC., ANY COPYING OR OTHER USE EXCEPT THAT FOR WHICH IT WAS INTENDED IS PROHIBITED.		
CHANGE NOTICE NO. 1	ALL DIMENSIONS IN INCHES UNLESS OTHERWISE SPECIFIED	FILE: DF/83A	PROJECT REFERENCE: 3516B-REMAN PACKAGE	
	TOLERANCES: X.X ± 0.100 X.XX ± 0.050 X.XXX ± 0.005	THIRD ANGLE PROJECTION	SCALE/SHEET SIZE: 1=15/D	DRAWN BY: BML
	ANGULAR ± 1'		SHEET: 1 OF 1	DATE: 10-03-17
	TITLE: GENSET ARRANGEMENT		WORK ORDER NUMBER: - DRAWING NUMBER: 83A234	