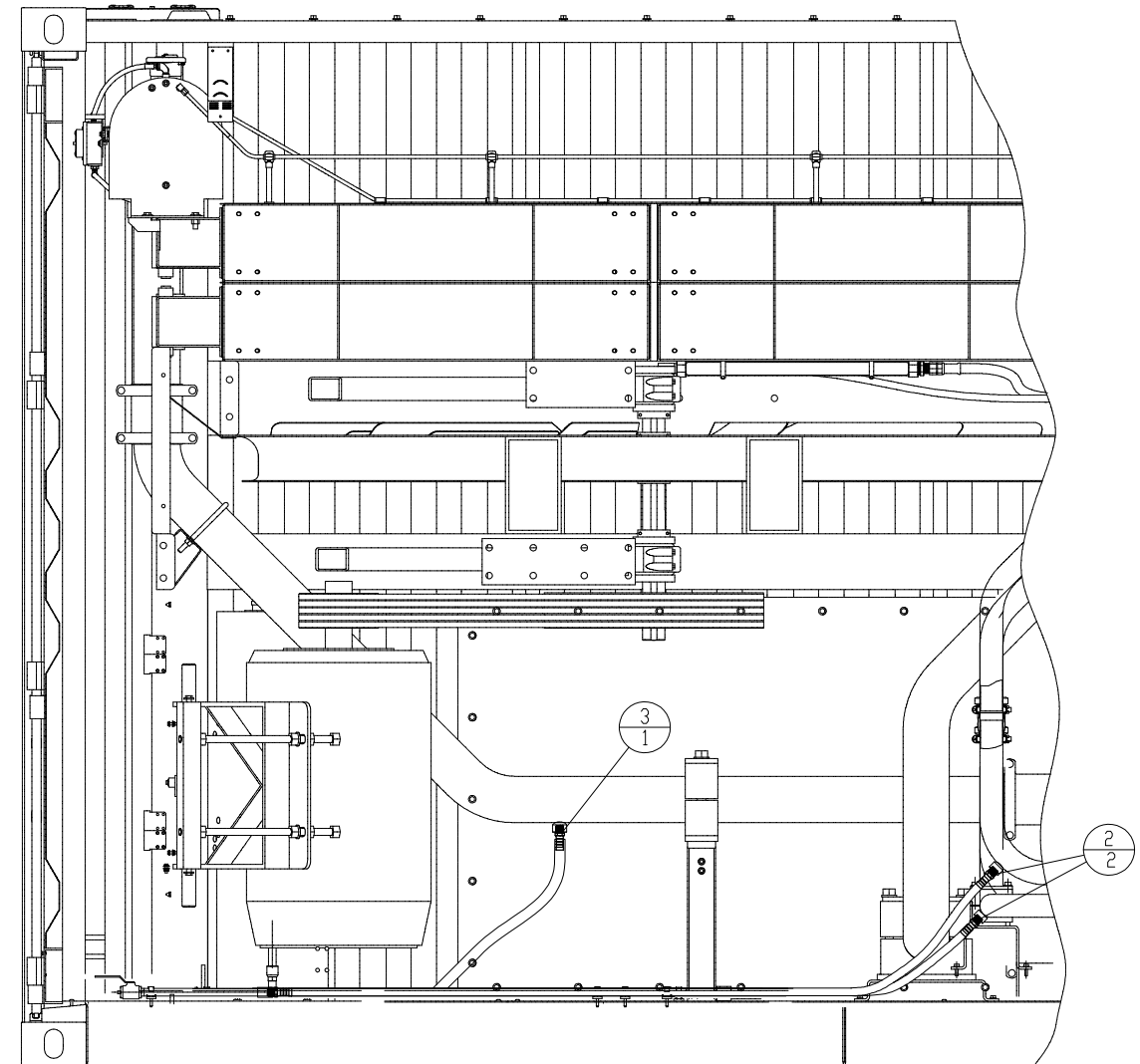
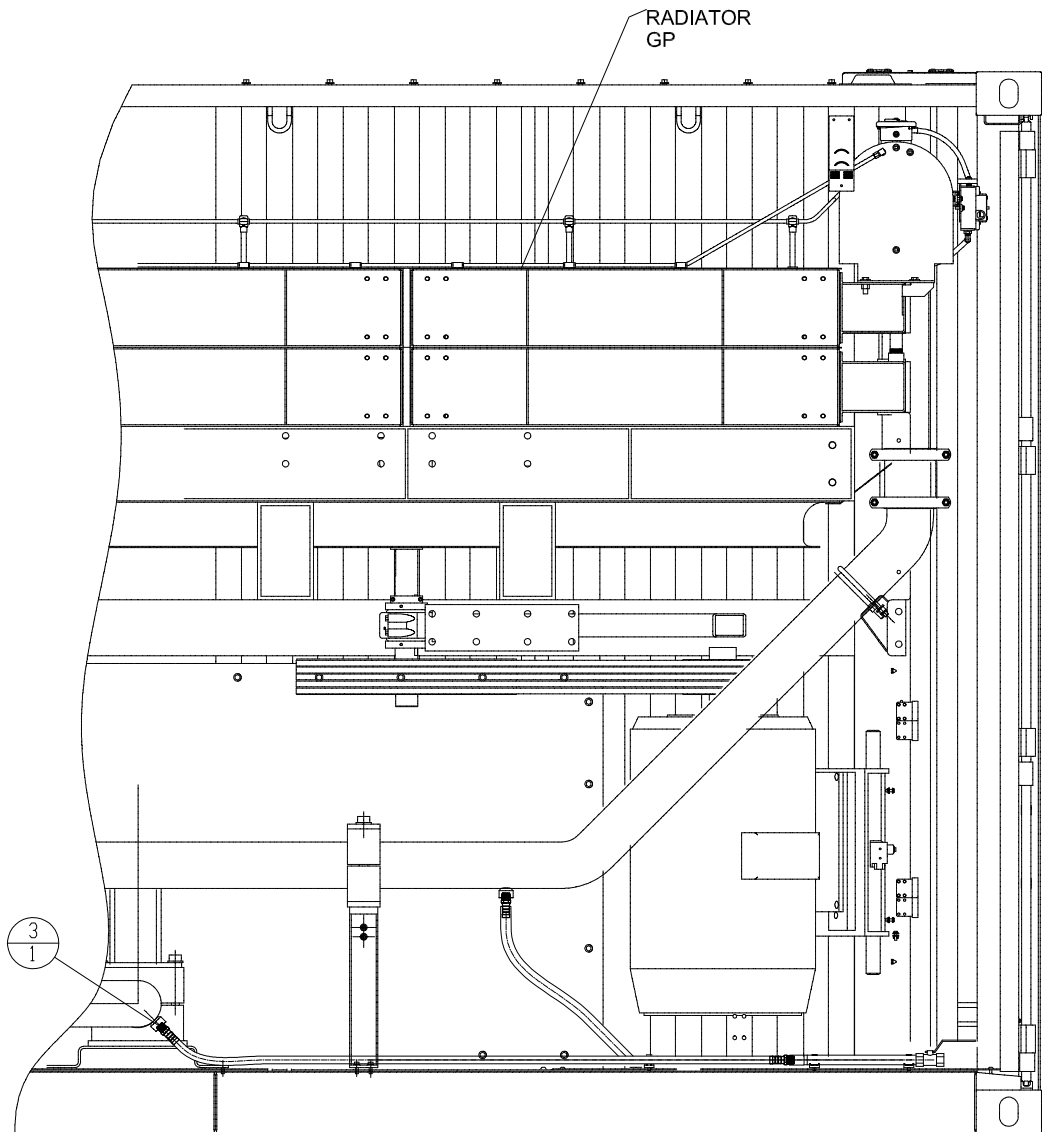
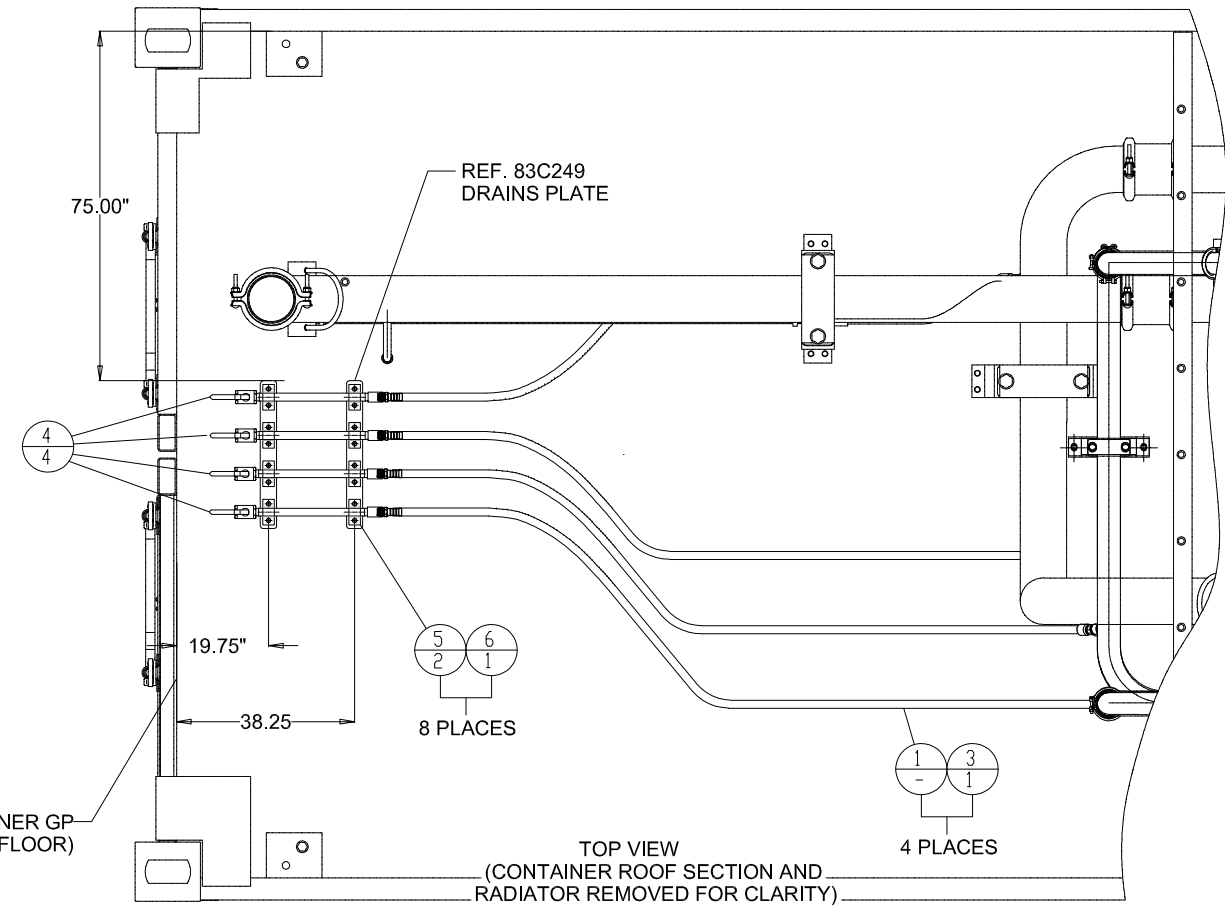


ITEM	QTY.	PART No.	DESCRIPTION
1	-	103-2555	HOSE 3/4" I.D.
2	2	5350K44	HOSE BARB 1/2" NPT
3	6	005-7898	HOSE BARB 3/4" NPT
4	4	83C247	DRAINS SHUTOFF ASSEMBLY
5	16	4L-6459	BOLT - 3/8"-16x2.50"
6	8	1159-1503	CLAMP



12/01/18 BML	12/01/18 D. ROLLING	10/18/18 RAY	10/18/18 RAY	<p>ALTORFER POWER SYSTEMS 6315 W. FAUBER RD. BARTONVILLE, IL 61607</p> <p>PHONE (309) 697-1234 FAX (309) 292-7546</p>
ADDED DRAINS PLATE	UPDATED HARDWARE	REMOVED HARDWARE	CHANGE NOTICE	
<p>THIS DOCUMENT CONTAINS PROPRIETARY INFORMATION OF ALTORFER, INC. WITHOUT THE WRITTEN PERMISSION OF ALTORFER, INC., ANY COPYING OR OTHER USE EXCEPT THAT FOR WHICH IT WAS INTENDED IS PROHIBITED.</p> <p>ALL DIMENSIONS IN INCHES UNLESS OTHERWISE SPECIFIED</p> <p>TOLERANCES: X.X ± 0.100 X.XX ± 0.060 X.XXX ± 0.005</p> <p>ANGULAR ± 1°</p>				<p>FILE: DF/83A</p> <p>SCALE/SHEET SIZE: 1=20/D</p> <p>SHEET: 1 OF 1</p>
<p>PROJECT REFERENCE: 3516B REMAN RENTAL PACKAGE</p>		<p>DRAWN BY: BML</p> <p>DATE: 05/24/18</p>		<p>ENGINEERING STATUS: PROTO 0, PET 0, PROD 0</p> <p>DRAWING NUMBER: 83A232-03</p>
<p>TITLE: RADIATOR DRAINS LINES GROUP</p>				