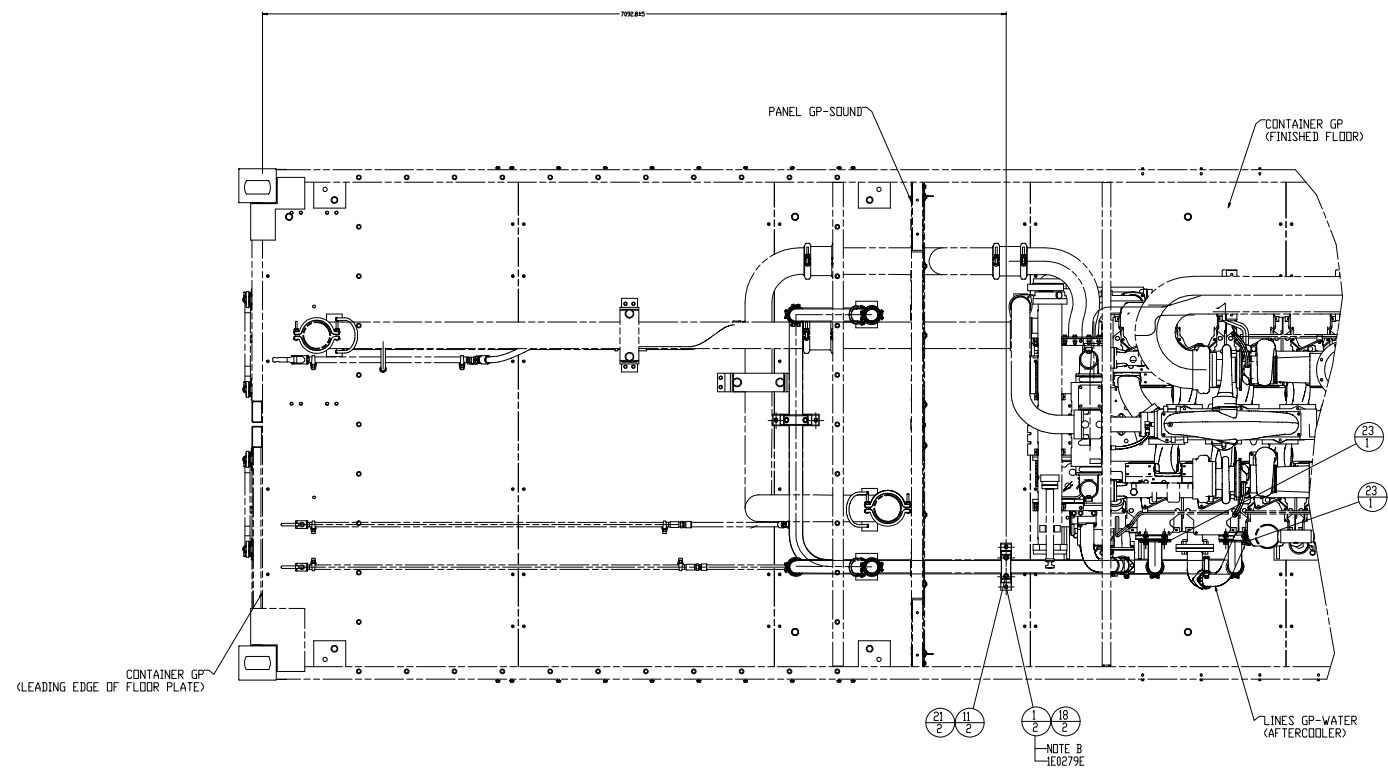
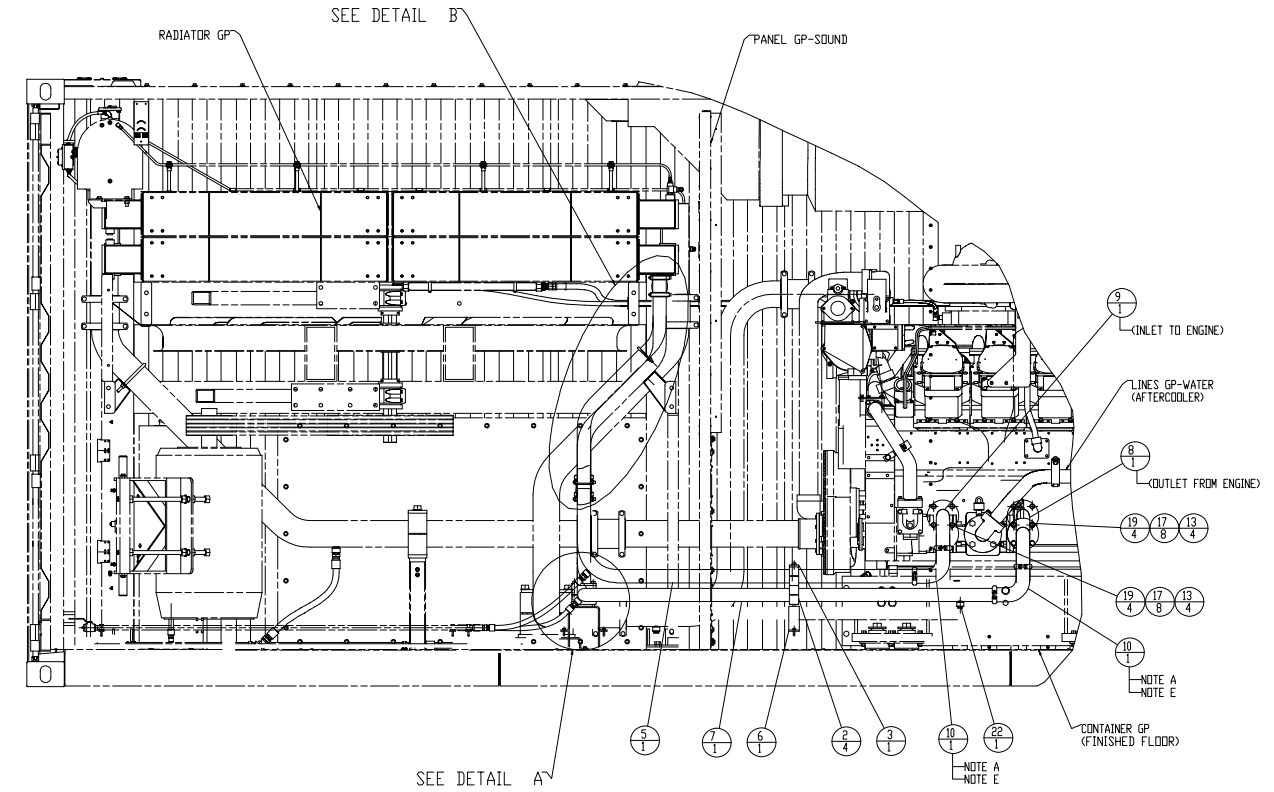


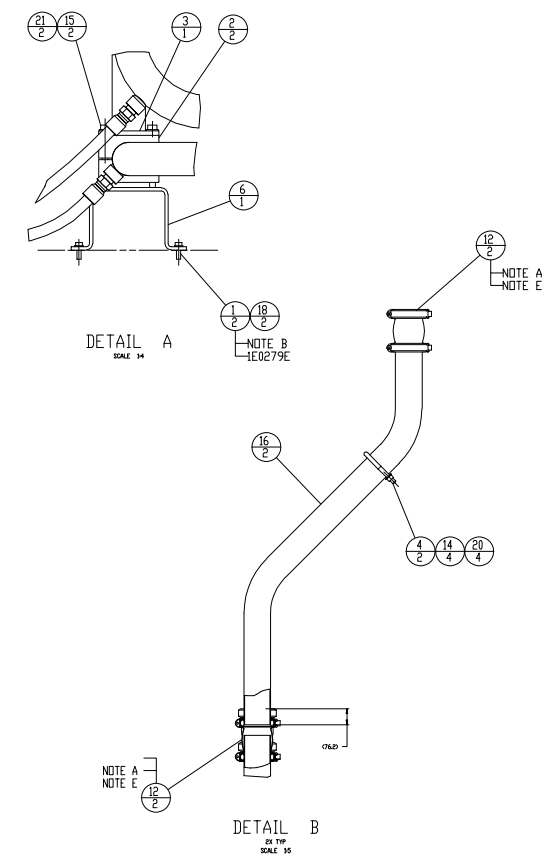
PARTS LIST			
1	4	93882A585	BOLT 5/16-18
2	6	198-4859	CLAMP
3	2	198-4861	PLATE-TOP
4	2	8875T27	U-BOLT
5	1	203-6543	TUBE AS
6	2	200-4432	SUPPORT AS
7	1	203-6544	TUBE AS
8	1	203-6545	TUBE AS
9	1	203-6546	TUBE AS
10	2	203-6547	ELBOW AS
11	2	209-1253	BOLT-HEX HEAD 7/16-24
12	4	347-4409	JOINT-STR (PIPE)
13	8	6V-8188	NUT-FULL 1/2-13
14	4	3K-6060	NUT-NYLOCK 3/8-16
15	2	7X-0456	BOLT 7/16-14 X 4.5'
16	2	203-6542	TUBE
17	16	8T-4223	WASHER-HARD
18	4	8T-4224	WASHER-HARD
19	8	8T-4835	BOLT 1/2-13
20	4	8T-4896	WASHER-HARD
21	4	8T-5360	WASHER-HARD
22	1	8T-6762	PLUG-PIPE 1/2"NPT
23	2	9Y-6893	GASKET



TOP VIEW
CONTAINER REEF SECTION AND RADIATOR REMOVED FOR CLARITY



CURBSIDE VIEW
CONTAINER WALL REMOVED FOR CLARITY



FINISH	
MATERIAL	
NOTE	1E0507 IDENT
	1E0011 INTPR & TOL
	MANUFACTURING SPECIFICATIONS

- NOTE A: LUBRICATE BORE LIGHTLY WITH GLYCERIN OR APPROVED EQUIVALENT
- NOTE B: DRILL $\phi 8-B$ IN FINISHED FLOOR PRIOR TO INSTALLATION
- NOTE C: DRILL $\phi 5.6-B$ IN FINISHED FLOOR PRIOR TO INSTALLATION
- NOTE D: APPLY TO ALL PIPE THREAD CONNECTIONS
- NOTE E: STANDARD INSERTION DEPTH IS 38.1±0.4

THE ENGINEERING DATA SYSTEM AND NOTICES CONTAIN ADDITIONAL DATA FOR THIS DRAWING

12/04/18 BML	11/05/2018 D. ROLING	DATE BY	ALTORFER		ALTORFER POWER SYSTEMS	
1 CHG ITEM 14 TO NYLOCK NUT CHANGE NOTICE			THIS DOCUMENT CONTAINS PROPRIETARY INFORMATION OF ALTORFER, INC. WITHOUT THE WRITTEN PERMISSION OF ALTORFER, INC., ANY COPYING OR OTHER USE EXCEPT THAT FOR WHICH IT WAS INTENDED IS PROHIBITED		6315 W. FAUBER RD. PHONE (309) 697-1234 BARTONVILLE, IL 61607 FAX (309) 282-7546	
ALL DIMENSIONS IN INCHES UNLESS OTHERWISE SPECIFIED			FILE	PROJECT REFERENCE		
TOLERANCES: XX ± 0.100 XXX ± 0.060 XXXX ± 0.005			DF/83A	3516B REMAN RENTAL UNIT		
ANGULAR ± 1°			SCALE/SHEET SIZE	DRAWN BY		
1 OF 1			1=5/C	D. ROLING		
TITLE LINES GROUP-WATER 2.5'			SHEET	DATE		
1 OF 1			1 OF 1	05/18/2018		
ENGINEERING STATUS			PROTO PET PRD 0 0 X		DRAWING NUMBER	
83A231-02			83A231-02		83A231-02	