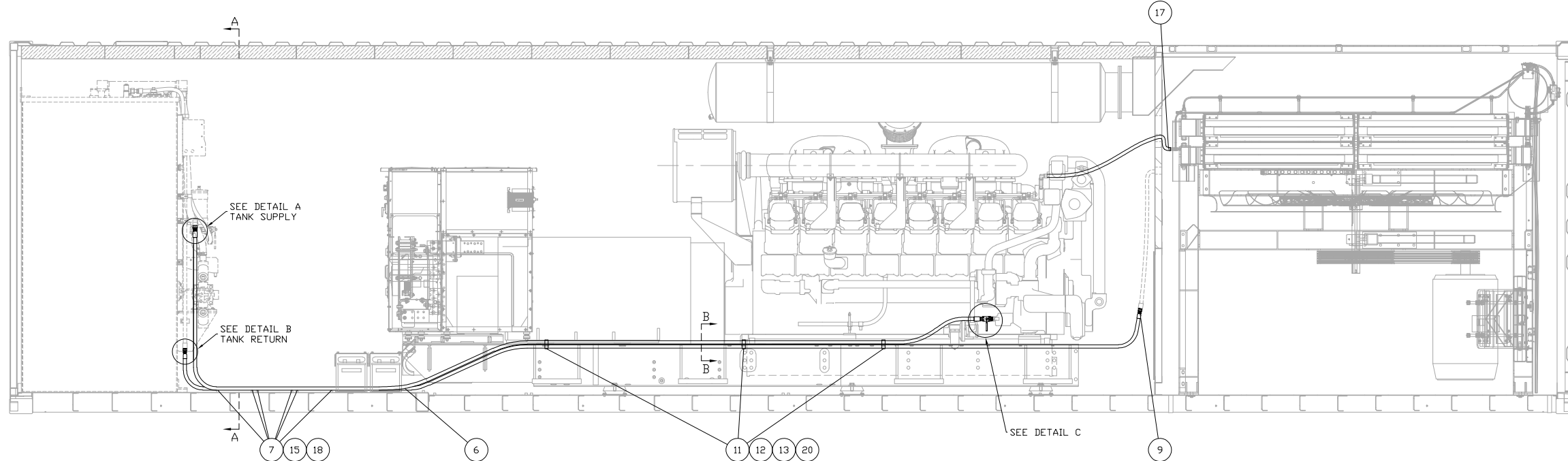
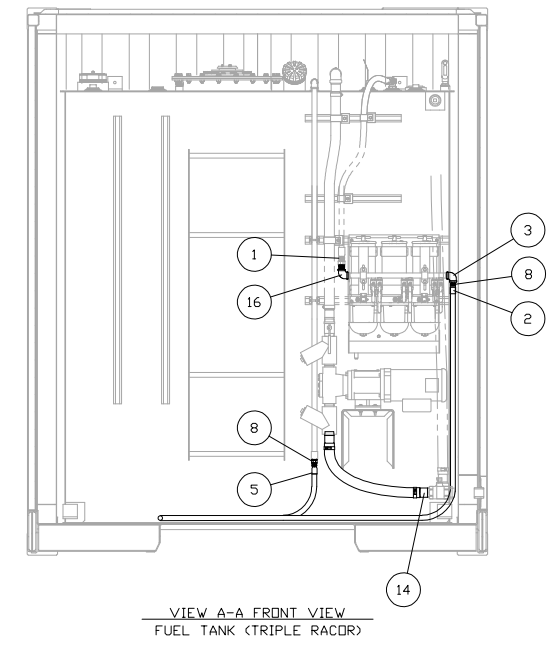
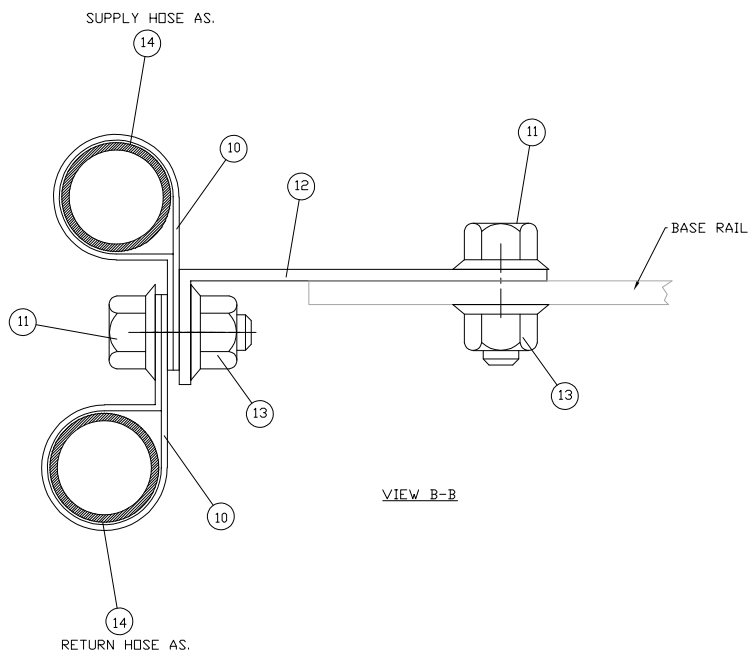
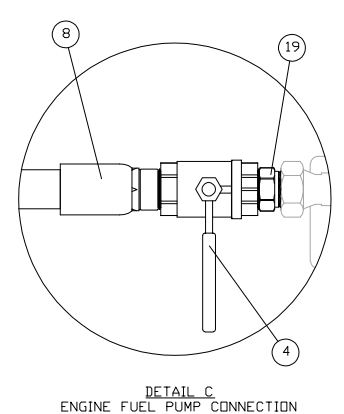
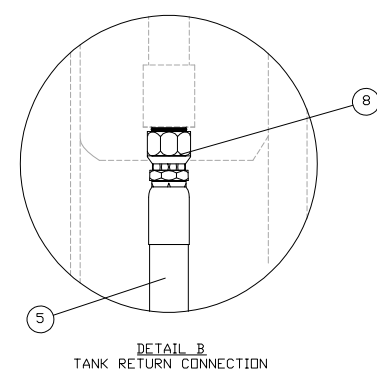
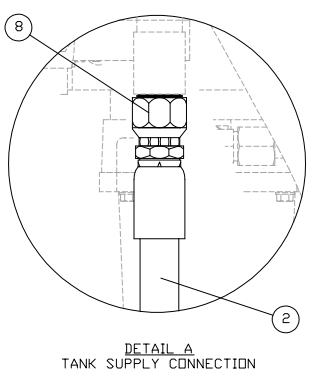


ITEM	QTY.	P/N	DESCRIPTION
1	1	030-8307	JIC 3/8" 1-5/16"-12 MALE/3/4"-14 NPTF MALE ADAPTER
2	1	88C167	FUEL LINE AS-ENGINE SUPPLY FROM RACDR
3	2	4B-5984	3/4"-14 NPT BLACK IRON PIPE 90° ELBOW
4	1	112-4036	3/4" NPT BALL VALVE
5	1	88C168	FUEL LINE AS-FUEL TANK RETURN FROM AFTERCOOLER SUPPLY
6	24	9X-6772	STRAP-CABLE
7	6	8T-4205	WASHER-FLAT-1/4"
8	3	5F-6371-3/4"	NPT SWIVEL NUT ADAPTER
9	1	1L-2702-3/4"NPTF-3/4"	NPTM ADAPTER
10	6	0708814-1-1/2"	I.D. CLAMP
11	6	345-8531	BOLT-3/8"-16THD
12	3	9N-1394	L-BRACKET
13	6	198-2970	NUT-3/8"-16
14	1	372-6720-LINES	GP-FUEL (REMOTE SUPPLY & RETURN)
15	12	0708813-1-1/2"	I.D. CLAMP
16	1	3B-6490-3/4"	COUPLING
17	1	8M-0792-1/2"	NPTF-1/2" NPTM ADAPTER
18	6	8T-4971-M6X1	BOLT
19	1	004-7270-3/4"	NPT CONNECTOR



STREET SIDE VIEW



NOTE A: REFERENCE FUEL LINES GP. DRAWING 221-4259

02/05/19 BML	01/22/19 BML	DATE BY	ALTORFER		ALTORFER POWER SYSTEMS	
			6315 W. FAUBER RD. BARTONVILLE, IL 61607		PHONE (309) 697-1234 FAX (309) 282-7546	
THIS DOCUMENT CONTAINS PROPRIETARY INFORMATION OF ALTORFER, INC. WITHOUT THE WRITTEN PERMISSION OF ALTORFER, INC., ANY COPYING OR OTHER USE EXCEPT THAT FOR WHICH IT WAS INTENDED IS PROHIBITED.			FILE	PROJECT REFERENCE		
ALL DIMENSIONS IN INCHES UNLESS OTHERWISE SPECIFIED			DF/83A	3516B-REMAN RENTAL PACKAGE		
TOLERANCES: X.X ± 0.100 X.XX ± 0.050 X.XXX ± 0.005			SCALE/SHEET SIZE 1=20/D	DRAWN BY BML	QUOTE NUMBER -	
ANGULAR ± 1°			SHEET 1 OF 1	DATE 02/24/18	WORK ORDER NUMBER -	
TITLE FUEL LINES MOUNTING GROUP					DRAWING NUMBER 83A213-2	