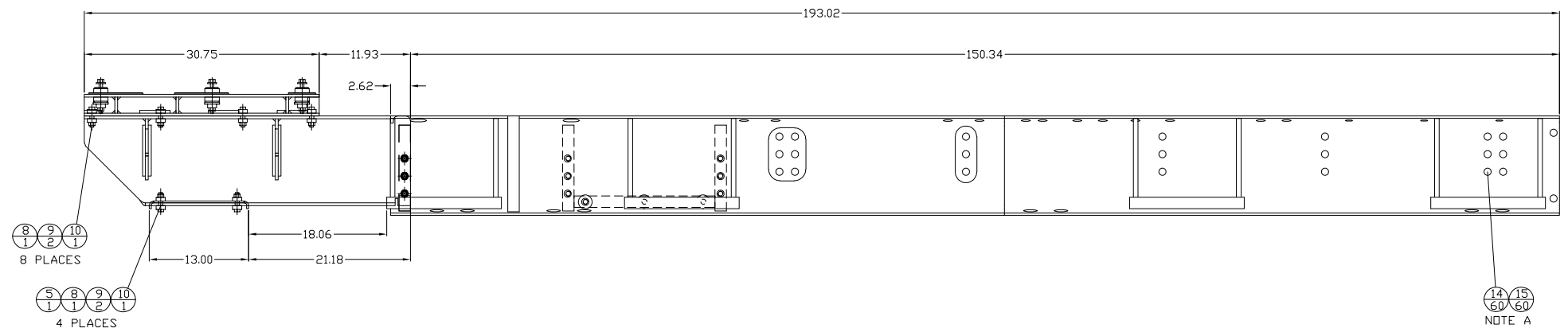
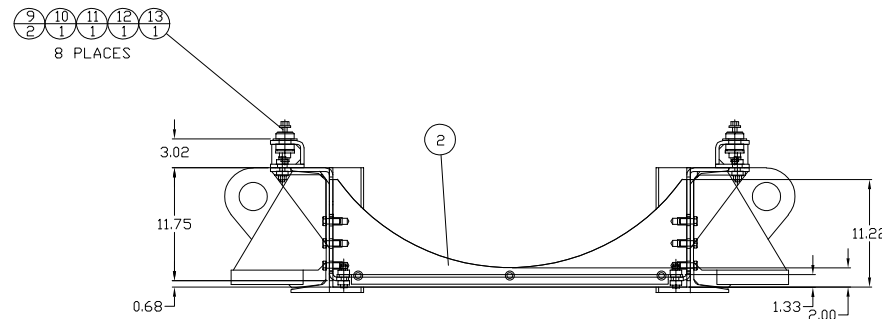
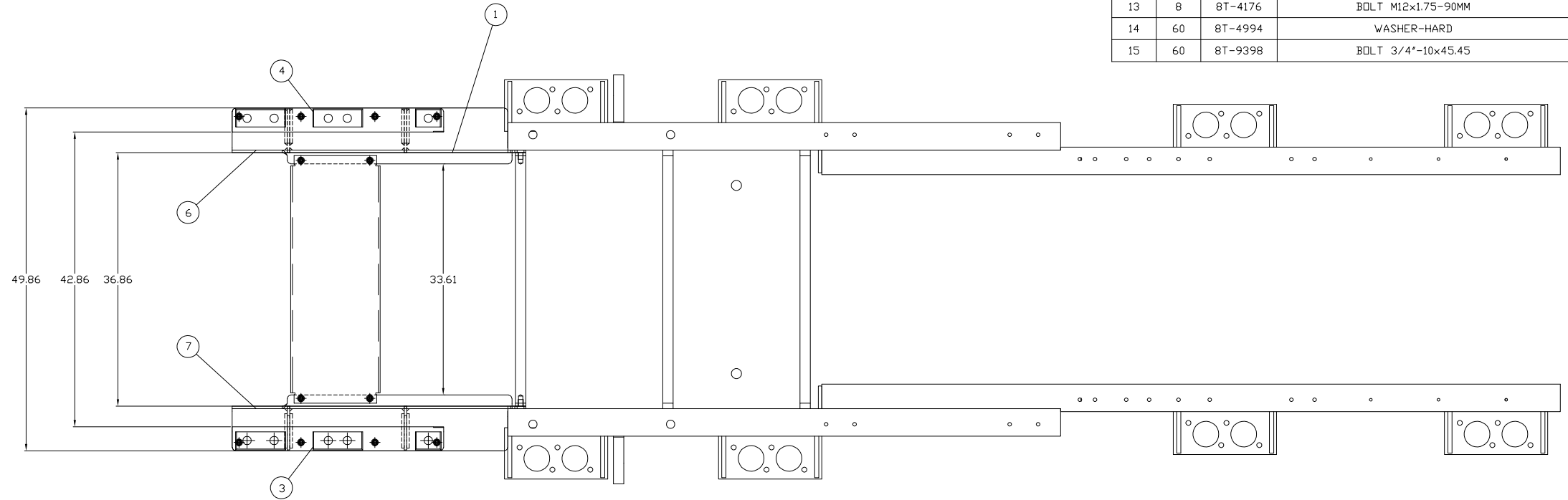


ITEM	QTY.	PART No.	DESCRIPTION
1	1	83B100	SLIDER PARTS GROUP
2	1	83B101	BRACE - ENGINE SUPPORT
3	1	83B102	LEFT SIDE RAIL (WELDMENT)
4	1	83B116	RIGHT SIDE RAIL (WELDMENT)
5	1	83B118	BOTTOM GUSSET
6	1	83B125	LEFT SIDE RAIL ASSEMBLY
7	1	83B126	RIGHT SIDE RAIL ASSEMBLY
8	12	8T-4183	BOLT M12x1.75-40MM
9	34	5P-1076	WASHER
10	20	8T-4244	NUT
11	8	249-3108	MOUNT
12	8	086-0297	WASHER
13	8	8T-4176	BOLT M12x1.75-90MM
14	60	8T-4994	WASHER-HARD
15	60	8T-9398	BOLT 3/4"-10x45.45



NOTE A: ITEMS 8T-4994 & 8T-9398 USED FOR MOUNTING ENGINE TO RAIL GROUP - ENGINE SUPPORT 161-2491

10/19/2018 D. ROLLING	07/09/18 BML	06/21/2018 D. ROLLING	DATE BY	<b>ALTORFER POWER SYSTEMS</b> 6315 W. FAUBER RD. PHONE (309) 697-1234 BARTONVILLE, IL 61607 FAX (309) 282-7546
4 UPDATE QTY'S FOR 910.11.12.13	3 UPDATED PART #'S	2 ADDED RAIL GP. HARDWARE	1 UPDATE HWWARE, RAILS	
THIS DOCUMENT CONTAINS PROPRIETARY INFORMATION OF ALTORFER, INC. WITHOUT THE WRITTEN PERMISSION OF ALTORFER, INC., ANY COPYING OR OTHER USE EXCEPT THAT FOR WHICH IT WAS INTENDED IS PROHIBITED.				FILE: DF/83A PROJECT REFERENCE: 3516B REMAN RENTAL PACKAGE
ALL DIMENSIONS IN INCHES UNLESS OTHERWISE SPECIFIED				DRAWN BY: BML ENGINEERING STATUS:
TOLERANCES: .XX ± 0.100 .XXX ± 0.060 .XXXX ± 0.005				SCALE/SHEET SIZE: 1=10/D SHEET: 1 OF 1 DATE: 02/19/18
THIRD ANGLE PROJECTION				PROTO: 0 PET: 0 PROD: X
ANGULAR ± 1°				DRAWING NUMBER: 83A212-4
TITLE: MOUNTING GROUP - BASE RAIL EXTENSION (SINGLE BEARING)				