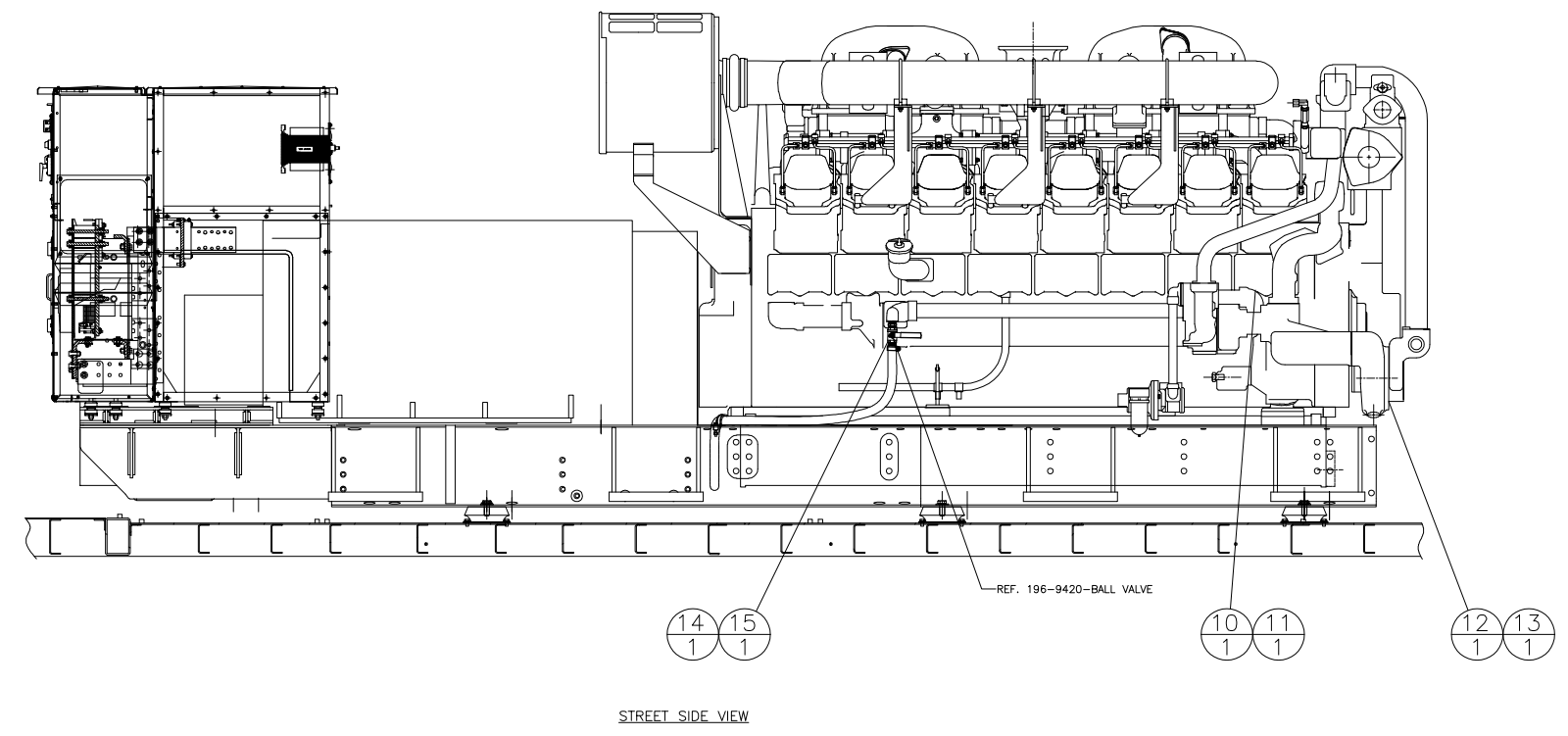
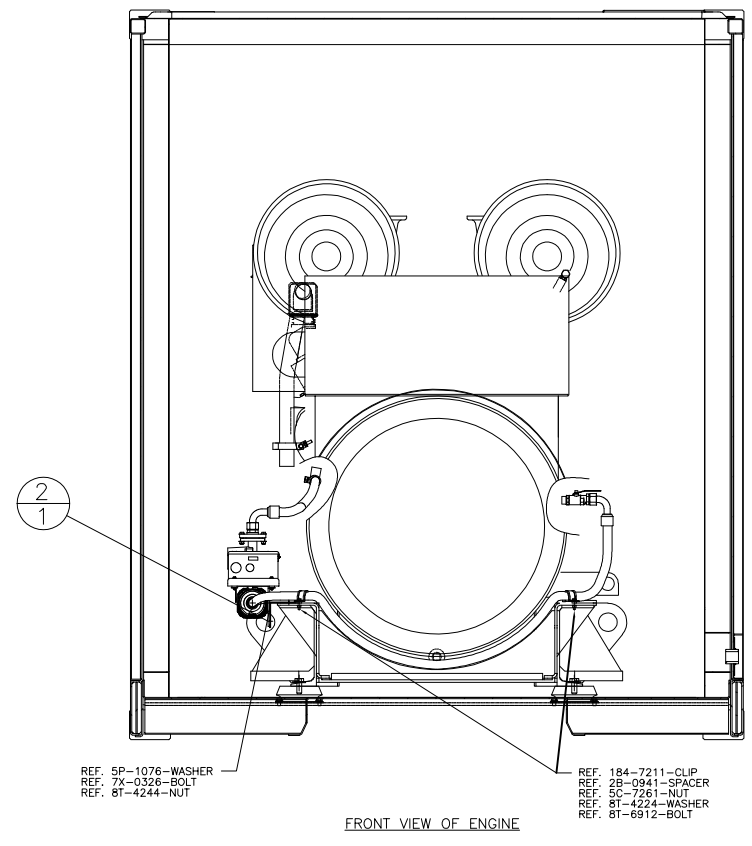
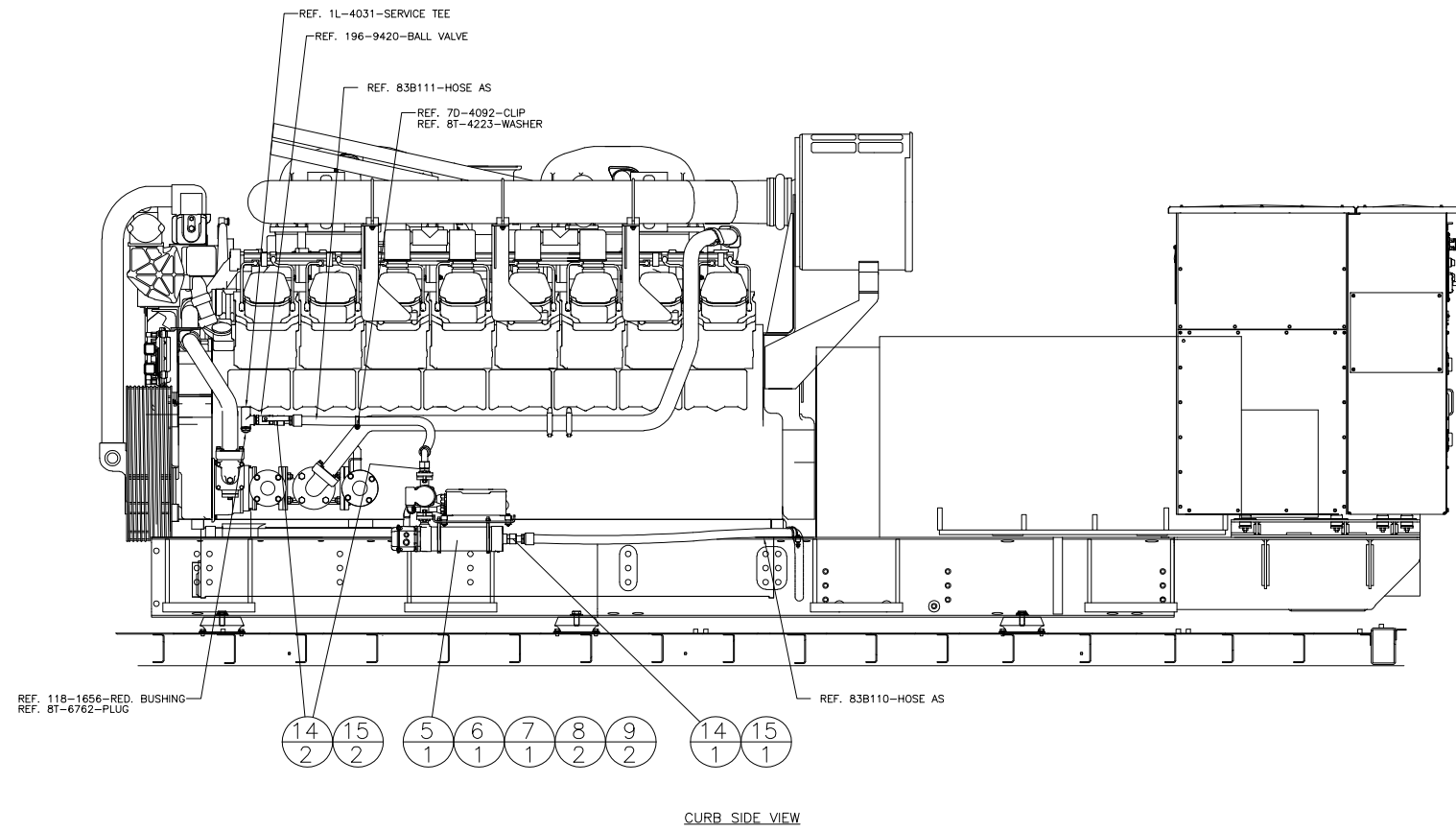


ITEM	QTY.	PART NO.	DESCRIPTION
1	1	1L-4031	TEE - SERVICE
2	2	196-9420	VALVE - BALL
3	1	184-7211	BUSHING - REDUCER
4	1	2B-0941	PLUG - PIPE 1/2"-14THD
5	1	307-3264	HEATER GROUP-JACKET WATER-BASIC
6	1	83A236	MOUNTING GROUP-JACKET WATER HEATER
7	1	83C130	BRACKET-JACKET WATER HEATER
8	2	345-8531	BOLT-FLANGED (3/8"-16NC X 1.00")
9	2	198-2970	NUT-FLANGED (3/8"-16NC)
10	1	7N-3298	COVER
11	1	7N-4945	GASKET
12	1	4B-2363	PLUG
13	1	6F-4868	GASKET
14	4	8C-6875	CONNECTOR
15	4	5K-9090	O-RING SEAL



NOTE A: USE PIPE SEALANT ON ALL THREADED PIPE FITTINGS

01/27/19 BML	11/05/18 BML	09/16/18 BML	07/06/2018 D. ROLING	08/29/2018 D. ROLING	08/29/2018 D. ROLING
UPDATED HARDWARE	ADDED ITEMS 11 & 12 PER ECR CHANGE NOTICE	REMOVED ITEM 13 PER ECR CHANGE NOTICE	REVISED ITEMS 1 & 2 HOSE ASSEMBLIES TO ALTORFER MANUFACTURED HOSES	REVISE CORRECTING HOSE ON PG. 1 AND PG.263 FOR ITEM 2&3 BRACKETING	CHANGE NOTICE DATE BY
<p>ALTORFER</p> <p>6315 W. FAUBER RD. BARTONVILLE, IL 61607</p> <p>PHONE (309) 697-1234 FAX (309) 282-7546</p>			<p>ALTORFER POWER SYSTEMS</p> <p>THIS DOCUMENT CONTAINS PROPRIETARY INFORMATION OF ALTORFER, INC. WITHOUT THE WRITTEN PERMISSION OF ALTORFER, INC., ANY COPYING OR OTHER USE EXCEPT THAT FOR WHICH IT WAS INTENDED IS PROHIBITED.</p>		
<p>ALL DIMENSIONS IN INCHES UNLESS OTHERWISE SPECIFIED</p> <p>TOLERANCES: X.X ± 0.100 X.XX ± 0.050 X.XXX ± 0.005</p> <p>ANGULAR ± 1'</p>		<p>FILE DF/83A</p> <p>SCALE/SHEET SIZE 1=15/D</p> <p>SHEET 1 OF 2</p>	<p>PROJECT REFERENCE 3516B REMAN RENTAL PACKAGE</p> <p>DRAWN BY BML</p> <p>DATE 10/13/17</p>	<p>QUOTE NUMBER -</p> <p>WORK ORDER NUMBER -</p>	<p>DRAWING NUMBER 83A209A-5</p>
<p>TITLE MOUNTING GROUP-JACKET WATER HEATER</p>					