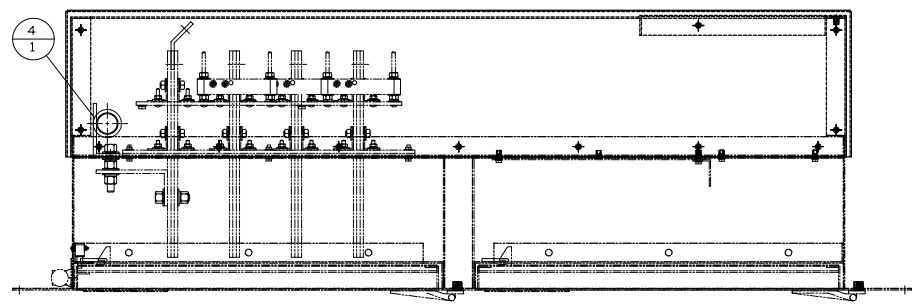
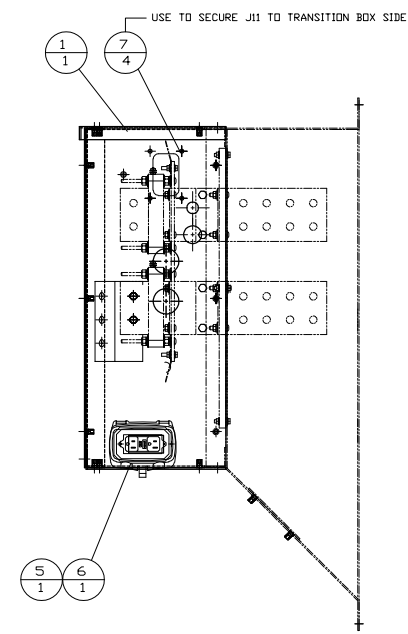
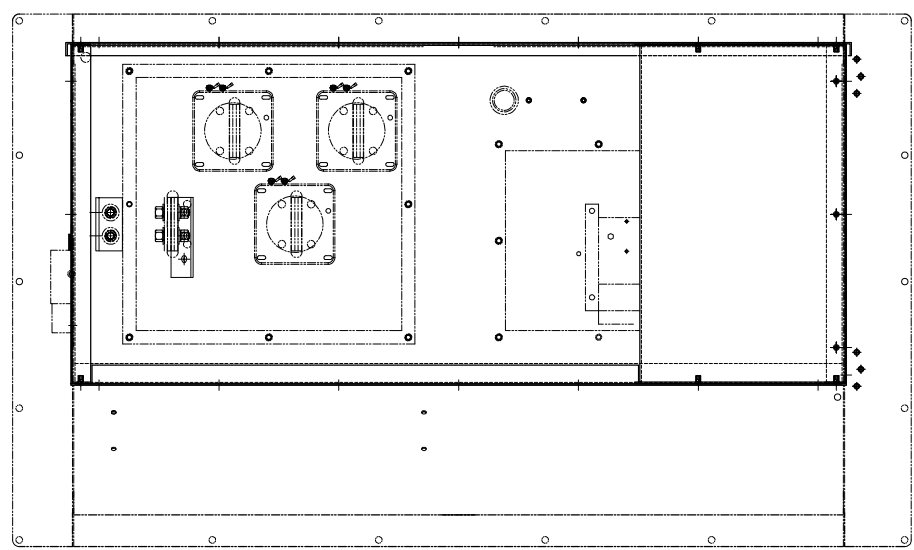
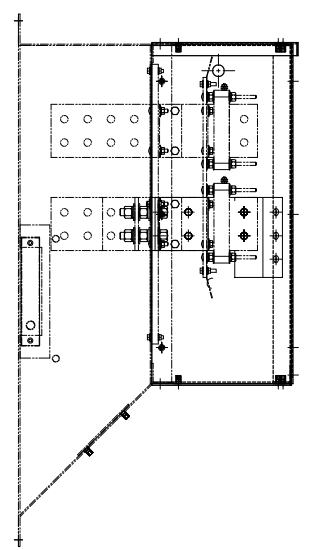
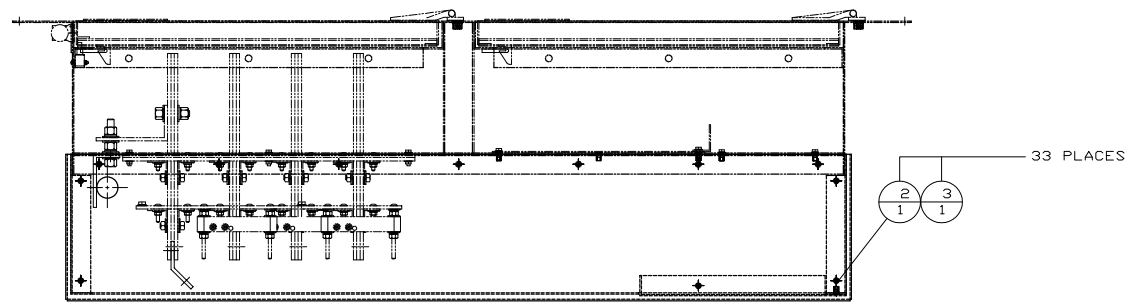


INCH 83A205

ITEM	QTY.	P/N	DESCRIPTION
1	1	88E119-02	TRANSITION BOX GROUP
2	33	4M-5281	BOLT 1/4x20 - 3/4 Lg
3	33	8T-4205	WASHER - FLAT
4	1	4D-3100	GROMMET
5	1	WP1000HC	COVER - RECEPTACLE
6	1	7899-W	RECEPTACLE
7	4	235-4451	BOLT - FLANGE



		ALTORFER		ALTORFER POWER SYSTEMS		
		6315 W. FAUBER RD. BARTONVILLE, IL 61607		PHONE (309) 697-1234 FAX (309) 282-7546		
		THIS DOCUMENT CONTAINS PROPRIETARY INFORMATION OF ALTORFER, INC. WITHOUT THE WRITTEN PERMISSION OF ALTORFER, INC., ANY COPYING OR OTHER USE EXCEPT THAT FOR WHICH IT WAS INTENDED IS PROHIBITED				
CHANGE NOTICE	NO.	ALL DIMENSIONS IN INCHES UNLESS OTHERWISE SPECIFIED		FILE	PROJECT REFERENCE	
				DF/83A	3516B-HYBRID RENTAL PACKAGE	
		TOLERANCES: X.X ± 0.100 X.XX ± 0.060 X.XXX ± 0.005	THIRD ANGLE PROJECTION	SCALE/SHEET SIZE	DRAWN BY	QUOTE NUMBER
		ANGULAR ± 1°		1=10/C	BML	0
		SHEET		DATE	WORK ORDER NUMBER	
		1 OF 1		2/6/2013	0	
		TITLE				
		LOAD PAN TRANSITION BOX INSTALLATION GROUP				
		DRAWING NUMBER				
		83A205				