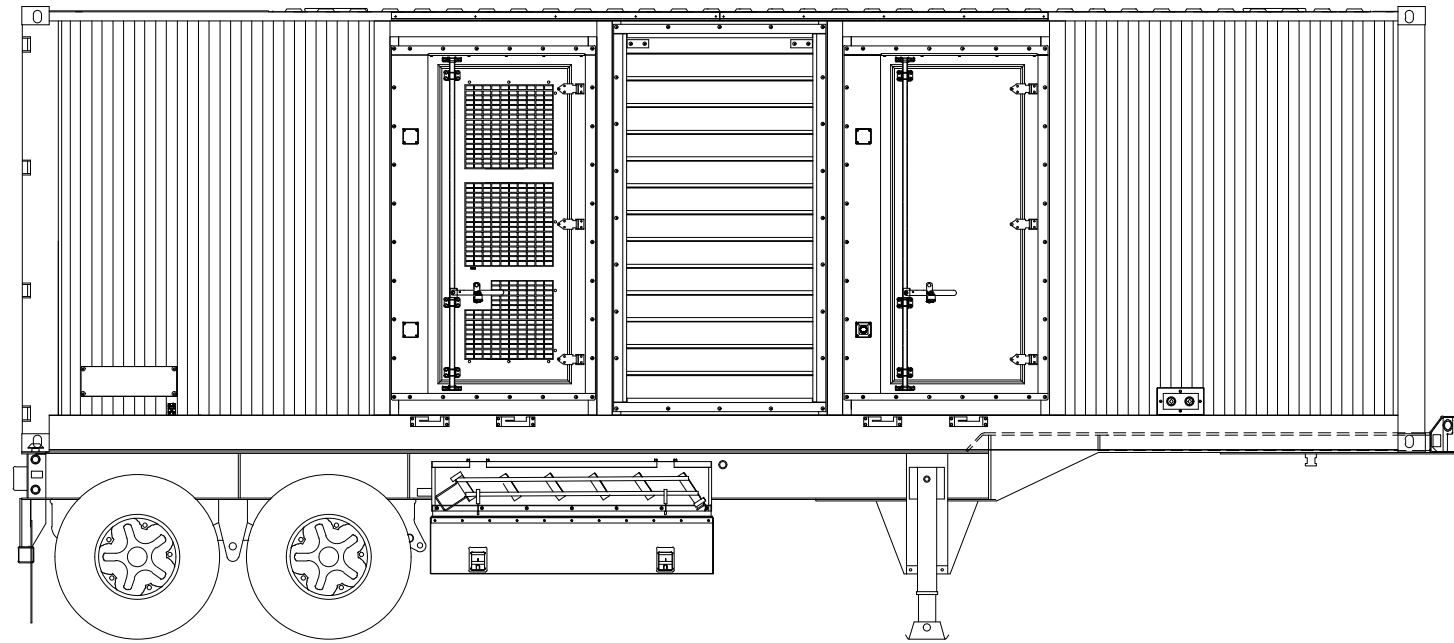
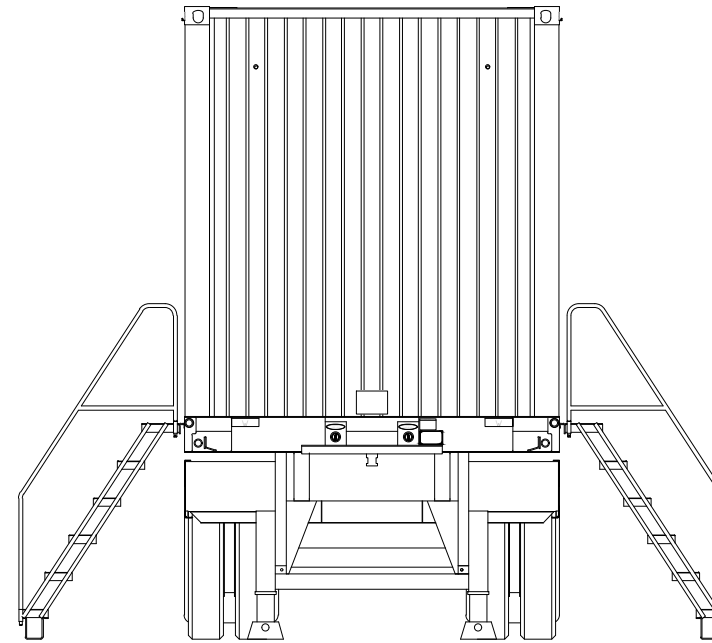


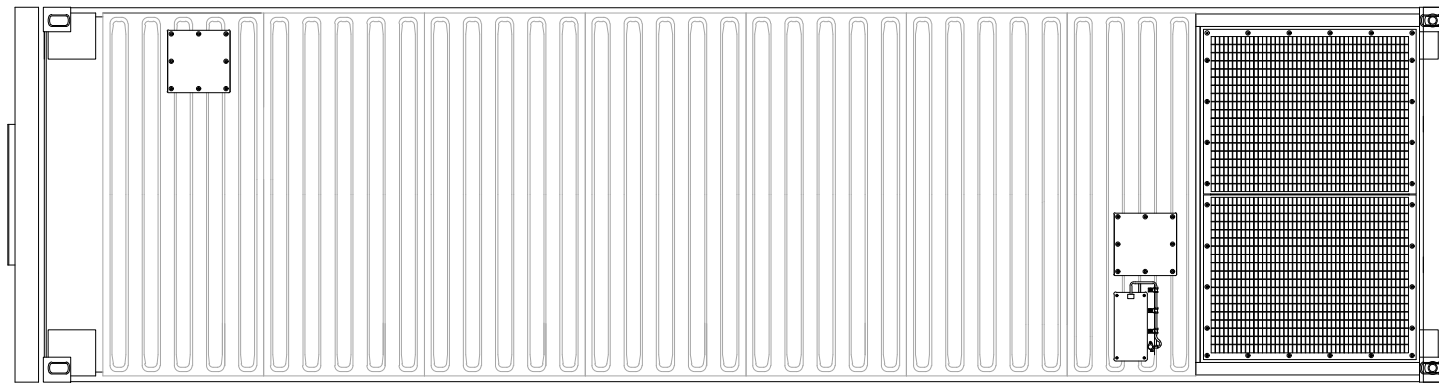
ITEM	QTY.	PART NO. & DESCRIPTION
1	1	81A600-PACKAGE ARRANGEMENT-APS1000A-RM (480V)
2	1	86A116-PACKAGE AR-AIR RIDE CHASSIS
3	1	88A131-TRANSPORT LOCK GP
4	1	81A523-UMR MOUNTING GP



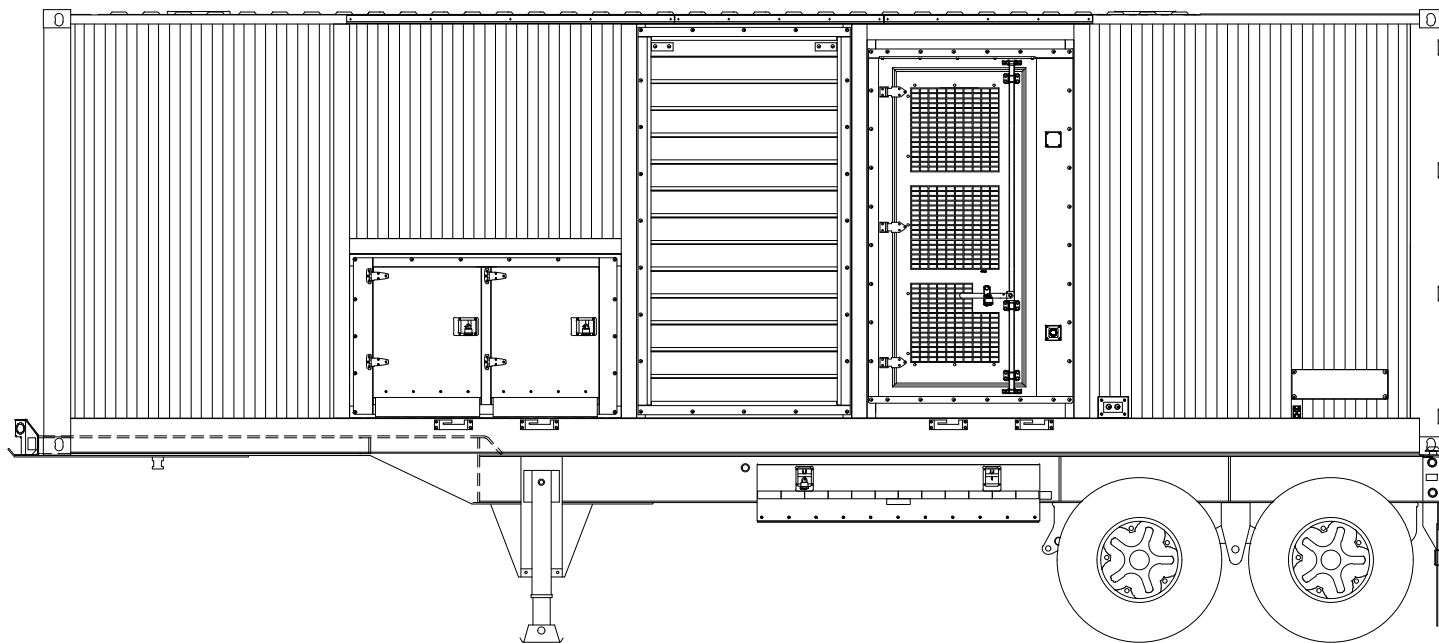
CURB SIDE VIEW



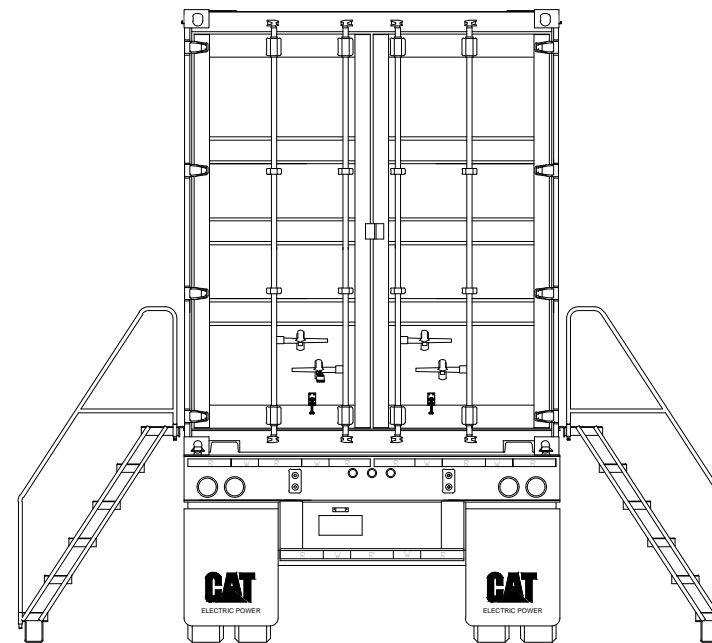
FRONT VIEW



TOP VIEW

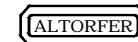


STREET SIDE VIEW



REAR VIEW

CHANGE NOTICE		FILE	PROJECT REFERENCE	
1	1	DF/81A	APS1000A-RM	
TOLERANCES UNLESS OTHERWISE SPECIFIED		SCALE/SHEET SIZE	DRAWN BY	QUOTE NUMBER
XX ± 0.100		1=25/D	JAM	-
XXX ± 0.050		PROJECTION	DATE	WORK ORDER NUMBER
ANGULAR ± 1°		1 OF 1	11-29-18	-
TITLE				DRAWING NUMBER
POWER MODULE ARRANGEMENT (480V) W/CHASSIS & UMR OPTION				81A652



ALTORFER POWER SYSTEMS
 6315 W. FAUBER RD. PHONE (309) 697-1234
 BARTONVILLE, IL 61607 FAX (309) 282-7546

THIS DOCUMENT CONTAINS PROPRIETARY INFORMATION OF ALTORFER, INC. WITHOUT THE WRITTEN PERMISSION OF ALTORFER, INC., ANY COPYING OR OTHER USE EXCEPT THAT FOR WHICH IT WAS INTENDED IS PROHIBITED.