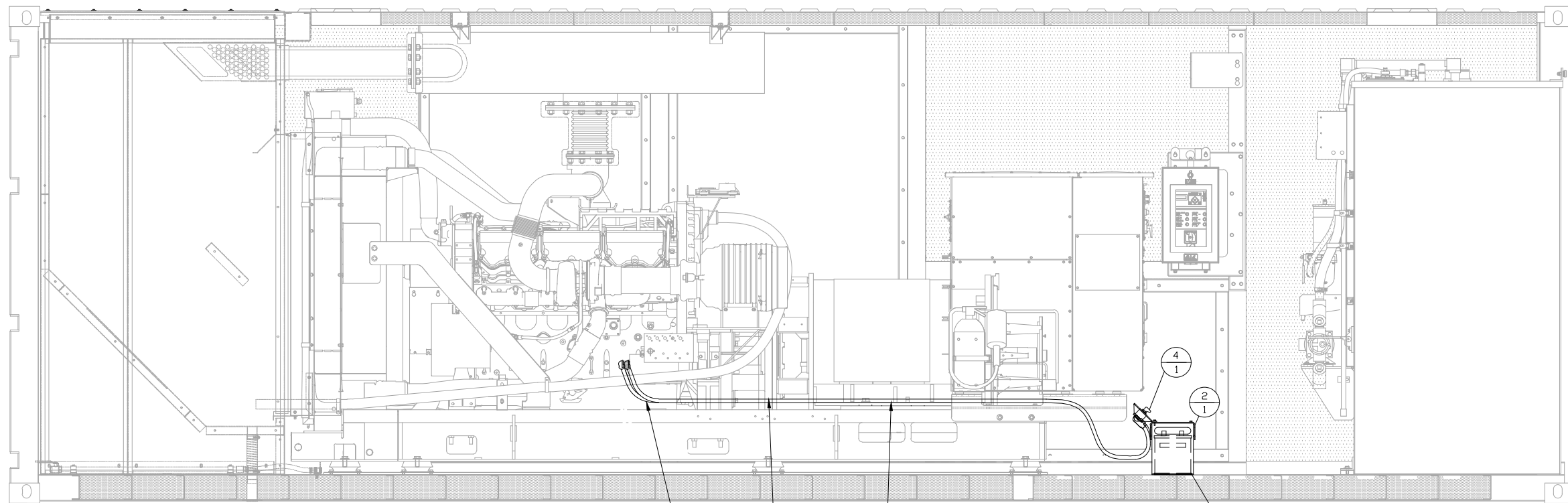
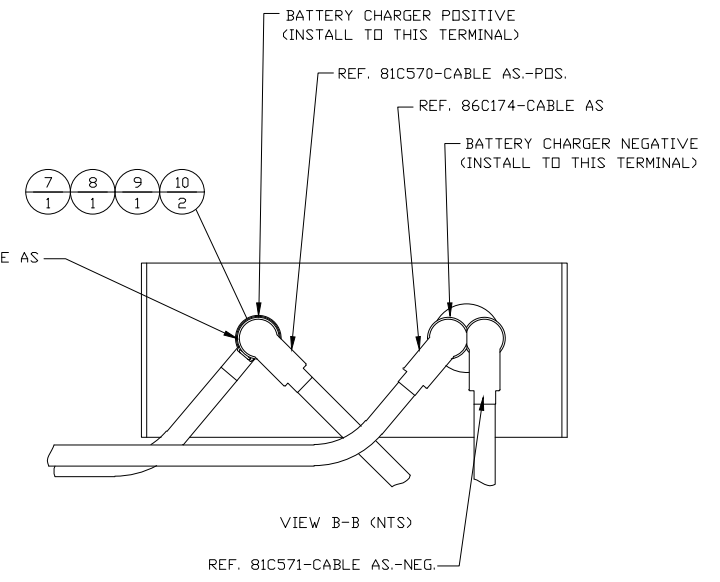


ITEM	QTY.	PART NO. & DESCRIPTION
1	2	9M-5775-MAT-BATTERY
2	1	176-1057-SUPPRT GP-BATTERY
3	1	BB12-PLYWD BATTERY BOARD (PAINT BLACK)
4	1	324-6981-SUPPRT GP-BATTERY
5	4	174-9194-BOLT-FLANGE (M8X1.25) (28N.m)
6	1	81E550-BATTERY CABLES-APS1000
7	1	11126216-3/8"-16 THD STUD
8	1	3B-4506-LOCK WASHER-3/8"
9	1	6V-8801-NUT-3/8"-16 THD
10	2	5P-1075-WASHER HARD-3/8" DS
11	2	153-5710-BATTERY-24V MAINT. FREE



NOTE A: 81E550-BATTERY CABLES-APS1000 RECEIVED IN 81E550BM

DATE		FILE		PROJECT REFERENCE	
DATE		DF/81A		APS1000A-RM	
ALL DIMENSIONS IN INCHES UNLESS OTHERWISE SPECIFIED		SCALE/SHEET SIZE		DRAWN BY	
TOLERANCES: .XX ± 0.100		1=15/D		JAM	
CHANGE NOTICE		SHEET		DATE	
11-29-18		1 OF 1		11-29-18	
TITLE		DRAWING NUMBER		DRAFTING NUMBER	
STARTING BATTERIES INSTALLATION GP.		81A614		81A614	

ALTORFER POWER SYSTEMS
 6315 W. FAUBER RD. PHONE (309) 697-1234
 BARTONVILLE, IL 61807 FAX (309) 282-7546

THIS DOCUMENT CONTAINS PROPRIETARY INFORMATION OF ALTORFER, INC. WITHOUT THE WRITTEN PERMISSION OF ALTORFER, INC., ANY COPYING OR OTHER USE EXCEPT THAT FOR WHICH IT WAS INTENDED IS PROHIBITED