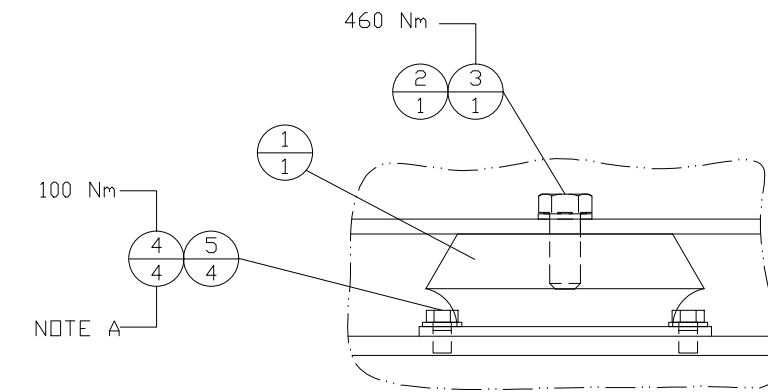
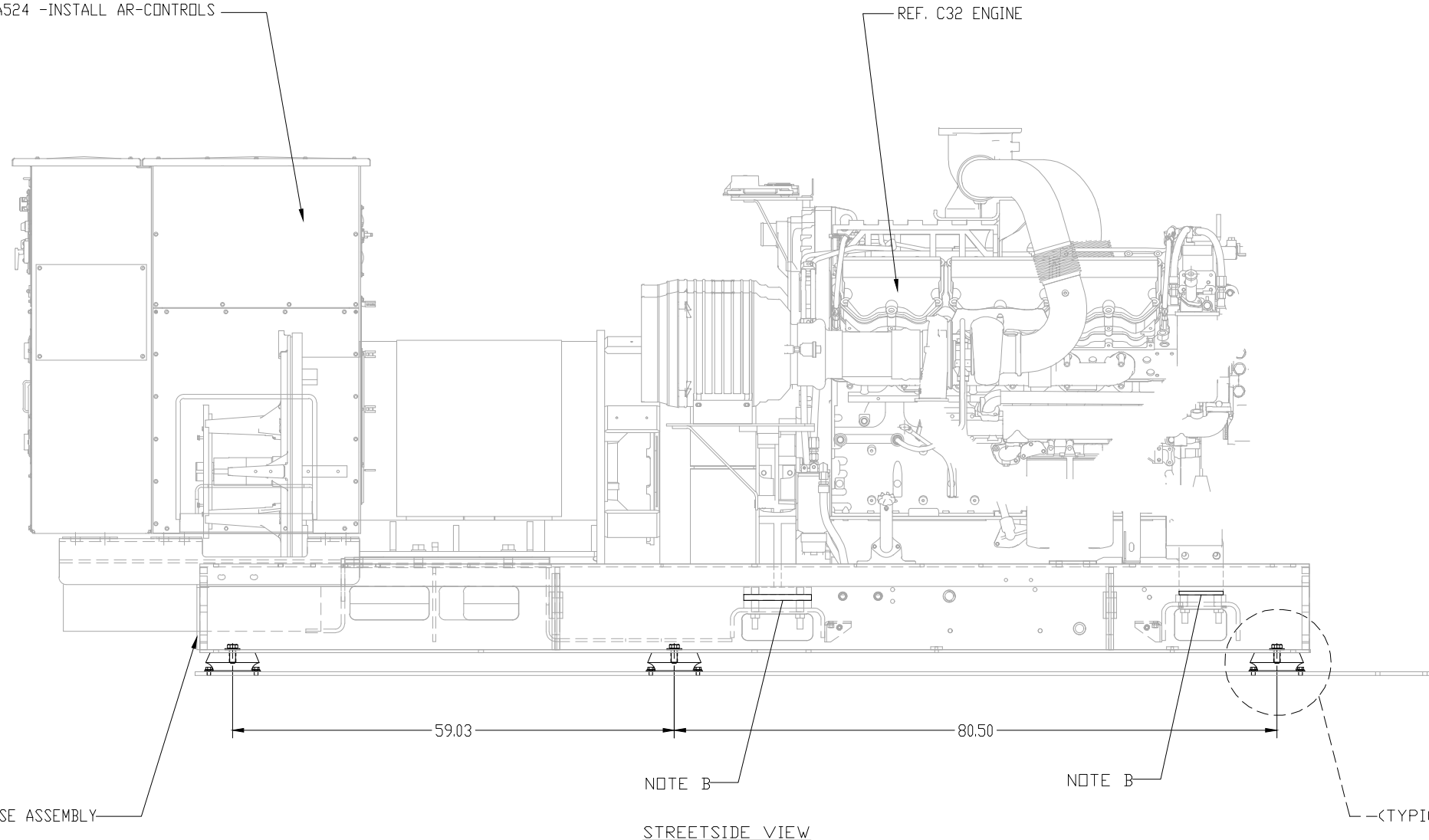


ITEM	QTY.	PART NO. & DESCRIPTION
1	6	308-4542 - ISOLATOR-MOUNTING
2	6	8T-5439 - WASHER
3	6	8T-6430 - BOLT-M20X2.5
4	24	8T-4179 - BOLT-M12X1.75
5	24	5P-1076 - WASHER-HARD

REF. 81A524 -INSTALL AR-CONTROLS

REF. C32 ENGINE



DETAIL A
SCALE 4:1

REF. 349-3937 - RAILBASE ASSEMBLY

STREETSIDE VIEW

-(TYPICAL 6-PLACES)
SEE DETAIL A

NOTE A: IF NECESSARY, SLOT HOLES TO 15MM O.D. X 25MM LG. (FIELD FABRICATED) IN MOUNT PLATE TO ALLOW FOR EASE OF MOUNTING TO FLOOR PLATE'S TAPPED HOLES.

NOTE B: IF NECESSARY, THE FOLLOWING PARTS MAY BE REQUIRED TO MOUNT ENGINE AND GENERATOR IN PROPER ALIGNMENT ON RAIL BASE. SEE PRODUCTION MANAGER.

- QTY. (2) 81C587-REAR ENGINE FOOT SHIM PLATE GP
- QTY. (2) 81C588-FRONT ENGINE FOOT SHIM PLATE GP
- QTY. (8) 7X-2532-M20X2.5X130MM BOLT-ZINC PLATED
- QTY. (24) 8T-4123-HARD WASHER-M20
- QTY. (16) 8T-4131-NUT-M20X2.5-ZINC PLATED
- QTY. (4) 7X-2564-M20X2.5 BOLT-ZINC PLATED

01-03-20 JAM DATE	BY	ALTORFER			ALTORFER POWER SYSTEMS		
		6315 W. FAUBER RD. BARTONVILLE, IL 61607			PHONE (309) 697-1234 FAX (309) 282-7546		
THIS DOCUMENT CONTAINS PROPRIETARY INFORMATION OF ALTORFER, INC. WITHOUT THE WRITTEN PERMISSION OF ALTORFER, INC., ANY COPYING OR OTHER USE EXCEPT THAT FOR WHICH IT WAS INTENDED IS PROHIBITED							
PRODUCTION UPDATE	CHANGE NOTICE	ALL DIMENSIONS IN INCHES UNLESS OTHERWISE SPECIFIED		FILE	PROJECT REFERENCE		
				DF\81A	APS1000A-RM		
		TOLERANCES: X.X ± 0.100 X.XX ± 0.060 X.XXX ± 0.005	THIRD ANGLE PROJECTION	SCALE/SHEET SIZE	DRAWN BY		QUOTE NUMBER
ANGULAR ± 1°		1=10/D	JAM		-		
		SHEET	DATE		WORK ORDER NUMBER		
		1 OF 1	01-14-15		-		
TITLE		GENSET MOUNTING GROUP				DRAWING NUMBER	
						81A604-1	