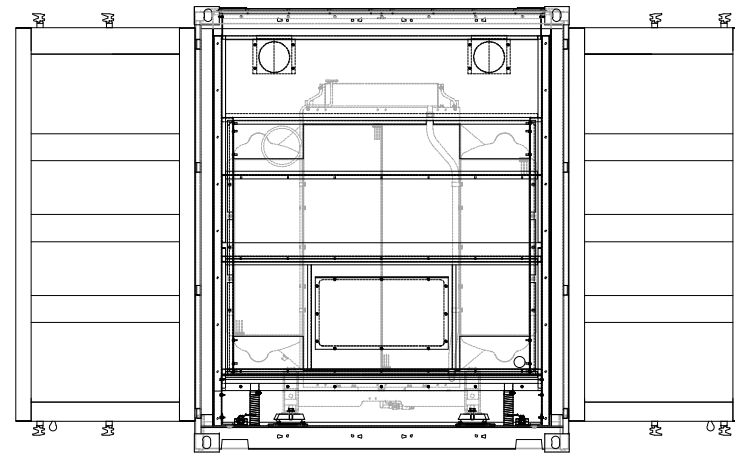
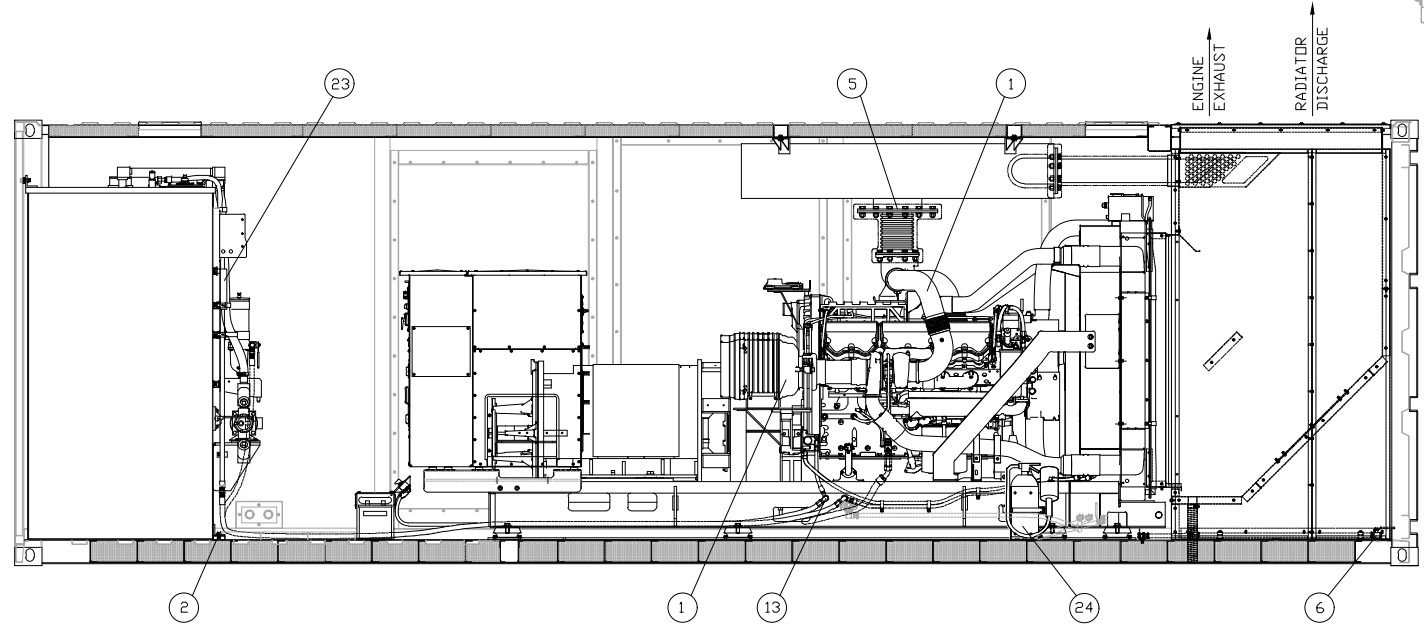


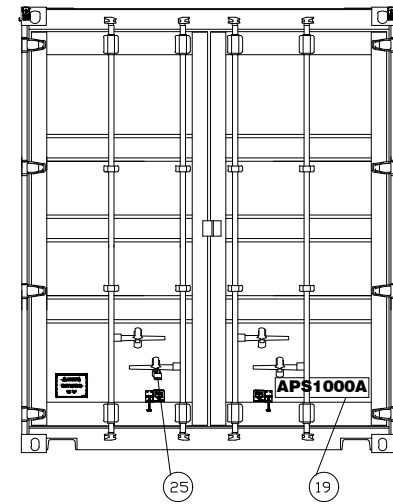
TOP VIEW (ROOF REMOVED)



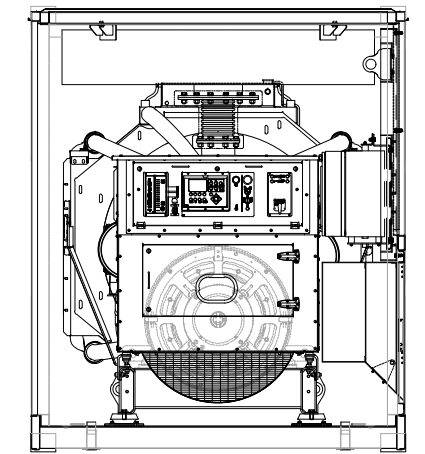
REAR VIEW (DOORS OPEN)



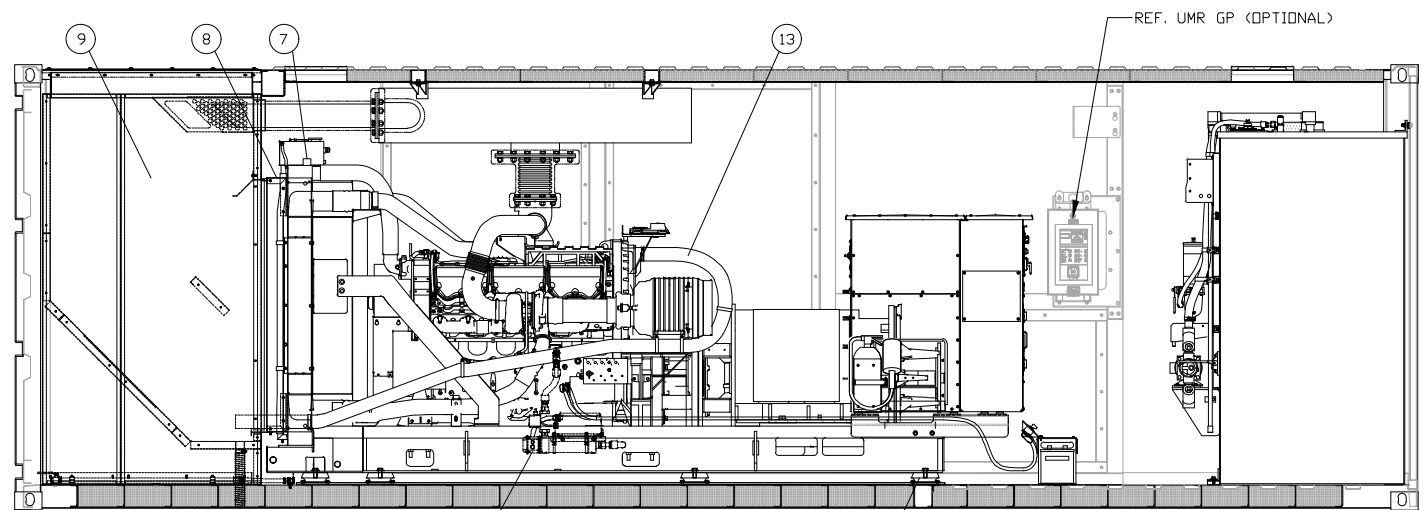
STREET SIDE VIEW (WALL REMOVED)



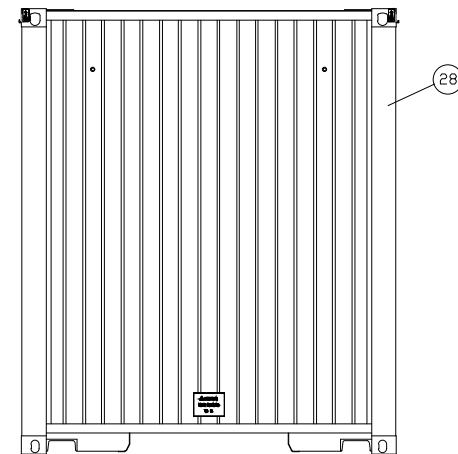
REAR VIEW (DOORS CLOSED)



CONTROLS VIEW



CURB SIDE VIEW (WALL REMOVED)



FRONT VIEW

ITEM	QTY.	GROUP NO.	DESCRIPTION
1	1	81A628	POWER PACK AR.
2	1	81A502	FUEL TANK MOUNTING GROUP
3	1	81A503	CONDUIT & JUNCTION BOX INSTALLATION GROUP
4	1	81A604	GENSET MOUNTING GROUP
5	1	81A505	EXHAUST SILENCER MOUNTING GROUP
6	1	81A506	SPILL CONTAINMENT DRAINS GROUP
7	1	81A607	RADIATOR MOUNTING GROUP
8	1	81A508	RADIATOR DUCT GROUP
9	1	81A509	DISCHARGE DIVERTER INSTALLATION GROUP
10	1	81A510	FUEL LINES MOUNTING GROUP
11	1	81A511	ENGINE OIL & COOLANT REMOTE DRAINS GROUP
12	1	81A512	CAC & JWH LINES INSTALLATION GROUP
13	1	81A613	DCV (OPEN CRANKCASE VENT) MOUNTING GROUP
14	1	81A614	STARTING BATTERIES INSTALLATION GROUP
15	1	81A540	QUIKFIT KIT
16	1	81A516	CONTAINER ACCESS MOUNTING GROUP
17	1	81A517	PLATFORM MOUNTING GROUP
18	1	81A518	JACKET WATER HEATER GROUP
19	1	81A619	CONTAINER FILMS GROUP
20	1	81A520	LOAD PAN GROUP
21	1	81A521	TRANSITION BOX INSTALLATION GROUP
22	1	81A524	INSTALLATION AR - CONTROLS (DOGHOUSE)
23	1	81A525	DOCUMENT BOX GROUP
24	1	81A526	FIRE EXTINGUISHER GROUP
25	1	81A529	APS1000 LOCK GROUP
26	1	81A530	ENGINE EXHAUST (TURBO PIPING) BLANKET GROUP
27	1	81A532	CAC RETURN AIR BLANKET GROUP
28	1	81A533	PARALLELING HARNESS GROUP
29	1	81A534	CONTAINER GROUP

<p>81-00-00 JAM DATE</p>		<p>ALTORFER ALTORFER POWER SYSTEMS 8315 W. FAUBER RD. PHONE (309) 697-1234 BARTONVILLE, IL 61607 FAX (309) 282-7546</p>	
<p>THIS DOCUMENT CONTAINS PROPRIETARY INFORMATION OF ALTORFER, INC. WITHOUT THE WRITTEN PERMISSION OF ALTORFER, INC., ANY COPYING OR OTHER USE EXCEPT THAT FOR WHICH IT WAS INTENDED IS PROHIBITED.</p>			
<p>PRODUCTION UPDATE CHANGE NOTICE</p>	<p>ALL DIMENSIONS IN INCHES UNLESS OTHERWISE SPECIFIED</p> <p>TOLERANCES: XX ± 0.100 XXX ± 0.060 XXXX ± 0.005 ANGULAR ± 1°</p>	<p>FILE DF/81A</p> <p>SCALE/SHEET SIZE 1=25/D</p> <p>PROJECTION 1 OF 1</p>	<p>PROJECT REFERENCE APS1000A-RM</p> <p>DRAWN BY JAM</p> <p>DATE 11-28-18</p>
<p>1</p>	<p>TITLE POWER MODULE ARRANGEMENT (480V) C32 / SR4B GENSET</p>	<p>QUOTE NUMBER -</p> <p>WORK ORDER NUMBER -</p> <p>DRAWING NUMBER 81A600-1</p>	<p>1</p>