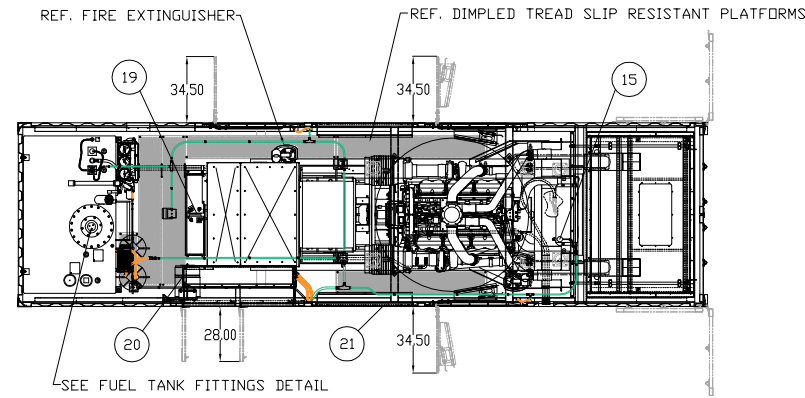
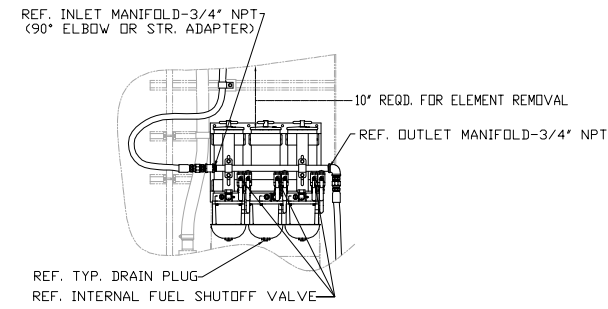


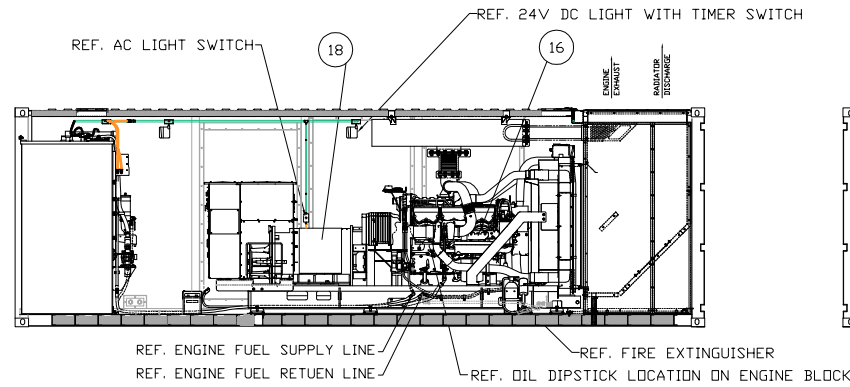
TOP VIEW



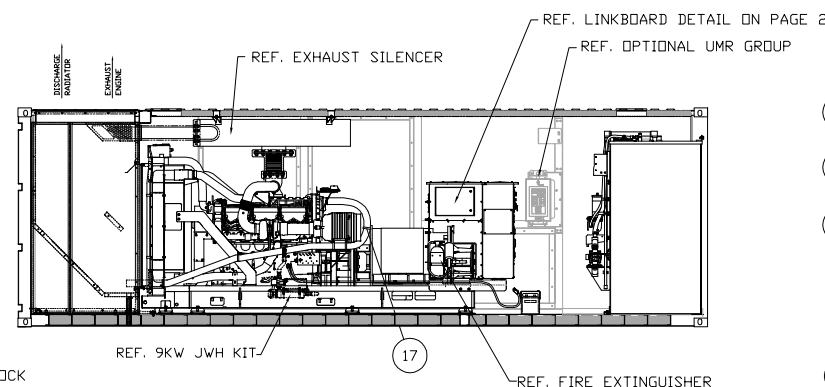
TOP VIEW (ROOF REMOVED & ALL DOORS OPEN)



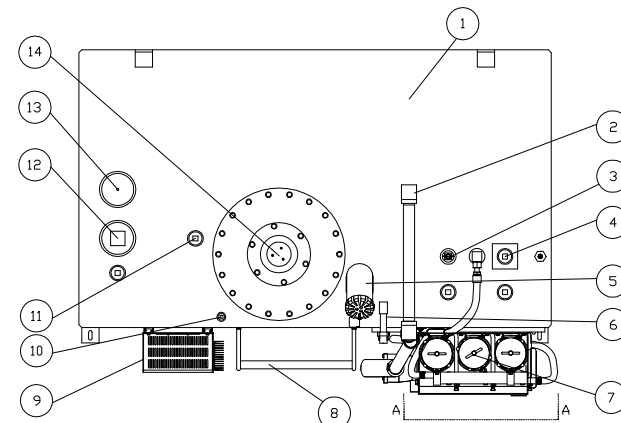
TRIPLE RACOR FUEL FILTER - DETAIL A-A
NOT TO SCALE



SECTION LOOKING INTO STREET SIDE OF PACKAGE AR.

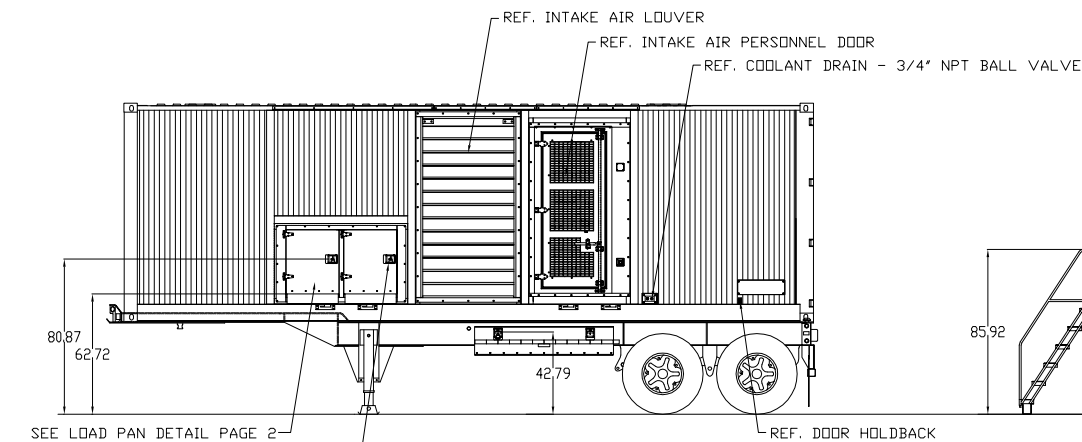


SECTION LOOKING INTO CURB SIDE OF PACKAGE AR.

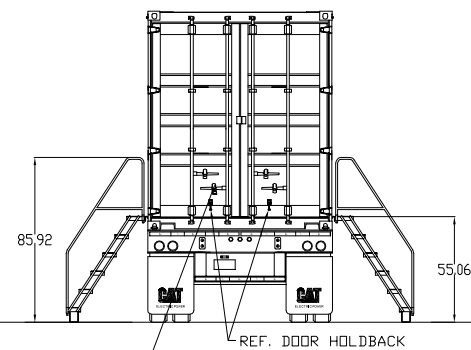


FUEL TANK TOP VIEW - FITTINGS DETAIL
NOT TO SCALE

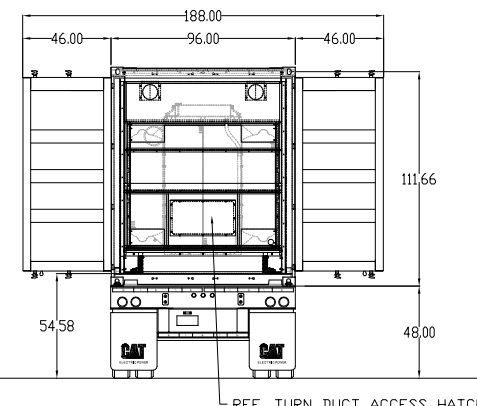
ITEM	QTY.	DESCRIPTION
1	1	1,250 GALLON DBL. WALL FUEL TANK (UL,CUL&TC CERTIFIED)
2	1	FUEL SUPPLY PIPE - 1-1/2" W/EXTERNAL GATE VALVE
3	1	HIGH LEVEL FUEL SWITCH
4	1	FUEL LEVEL SENDER PORT-2" NPT
5	1	MANUAL FUEL FILL - 4" NPT
6	1	FUEL RETURN PIPE - 3/4" W/GATE VALVE
7	1	TRIPLE RACOR FUEL FILTER
8	1	PERSONNEL STEPS
9	1	30 AMP 120 VOLT BATTERY CHARGER GROUP
10	1	RUPTURE BASIN DRAIN (NO INTERNAL VALVE) - 1" NPT
11	1	PORT RESERVED FOR SPARE FUEL HEATER - 2" NPT
12	1	MAIN FUEL TANK VENT - 5" NPT
13	1	SECONDARY CONTAINMENT EMERGENCY VENT - 5" NPT
14	1	SMART VENT W/ GASKET
15	1	AKG RADIATOR FILL NECK AND 7 PSI CAP
16	1	CATERPILLAR C32 DIESEL ENGINE ON ISOLATOR MOUNTS.
17	2	OPEN CRANKCASE VENTILATION ASSEMBLY
18	1	480V GENERATOR ASSEMBLY
19	4	24V MAINTENANCE FREE BATTERY GROUP
20	1	UTILITY MULTI-FUNCTION RELAY (UMR) GROUP (OPTIONAL)
21	5	INTAKE AIR LOUVER
22	1	UTILITY CIRCUIT BREAKER RELAY
23	1	RC SURGE SUPPRESSOR TERMINAL BLOCK
24	1	SHORE POWER SOURCE RELAYS
25	1	SHORE POWER BRANCH CIRCUIT BREAKERS
26	1	AC SENSING FUSE BLOCK
27	1	ALARM PANEL ANNUNCIATOR
28	1	SERVICE CONNECTOR - CAM-2
29	1	SERVICE CONNECTOR - CAM-1
30	1	EMCP 4.4 CONTROL PANEL
31	1	EMERGENCY STOP SWITCH - CONTROL PANEL
32	1	FUEL PRIMING PUMP SWITCH
33	1	FUEL LEVEL GAUGE
34	1	FUEL CONTROL SWITCH
35	1	FUEL MODE SWITCH
36	1	FUEL OVERFILL LIGHT
37	1	LOW VOLTAGE LEVEL LED
38	1	HIGH VOLTAGE LEVEL LED
39	1	LEGACY MODE LED
40	1	PRIMARY UNIT LED
41	1	BREAKER CONTROL SWITCH
42	1	GENERATOR RELAY GROUP
43	1	MAIN GENERATOR CIRCUIT BREAKER - 3000 AMP / 480V
44	1	ALARM AND LOAD SHARE INTERCONNECT PANEL
45	1	SHORE POWER CONNECTION BLOCK
46	1	CIRCUIT TERMINAL SHORTING BLOCK
47	1	LOAD DDDR SAFETY TRIP SWITCH
48	1	LOAD DDDR ELEC. OPERATED MAG LOCK
49	1	PARALLEL CONNECTION PORT "B"
50	1	PARALLEL CONNECTION PORT "A"



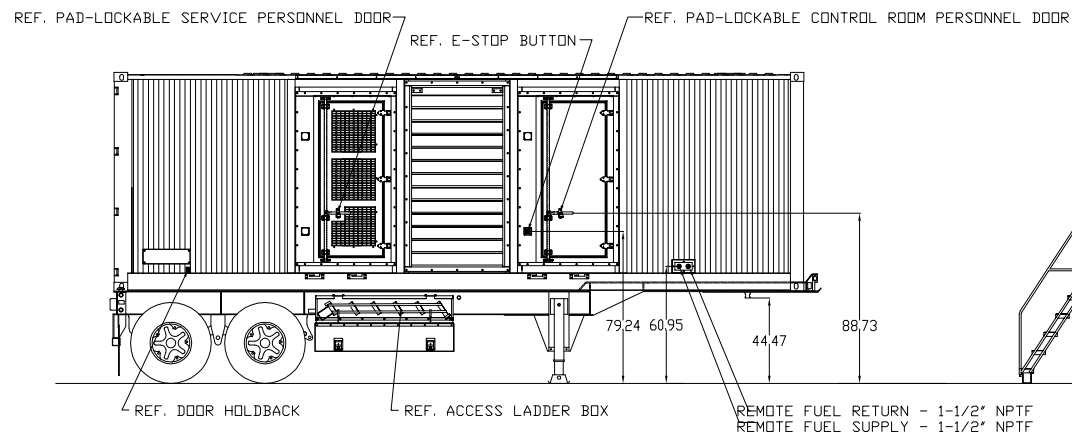
STREETSIDE VIEW



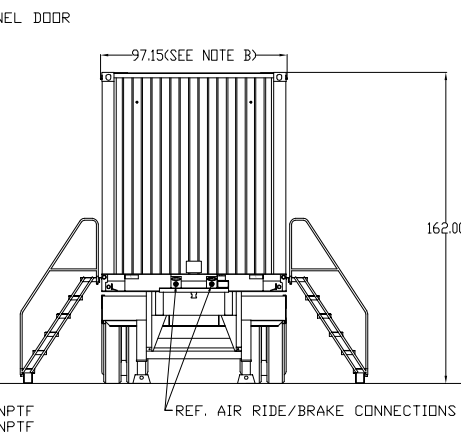
REAR VIEW



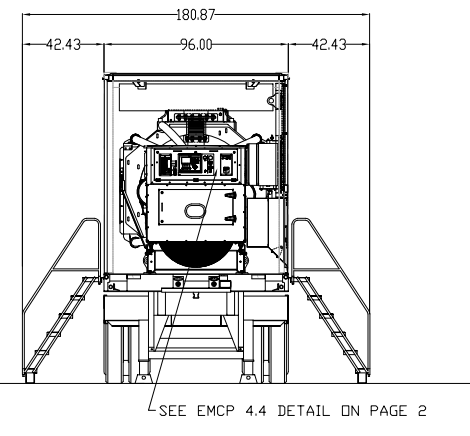
REAR VIEW (DOORS OPEN)



CURBSIDE VIEW



FRONT VIEW

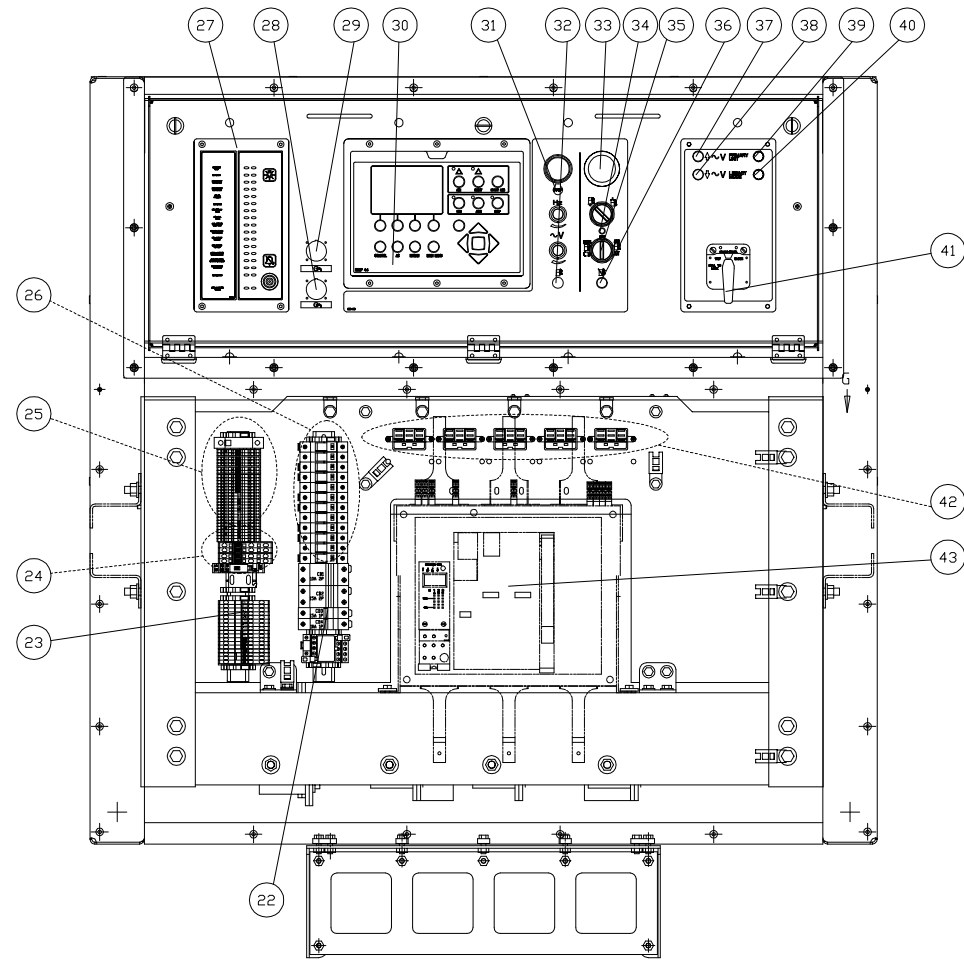


CONTROL PANEL VIEW

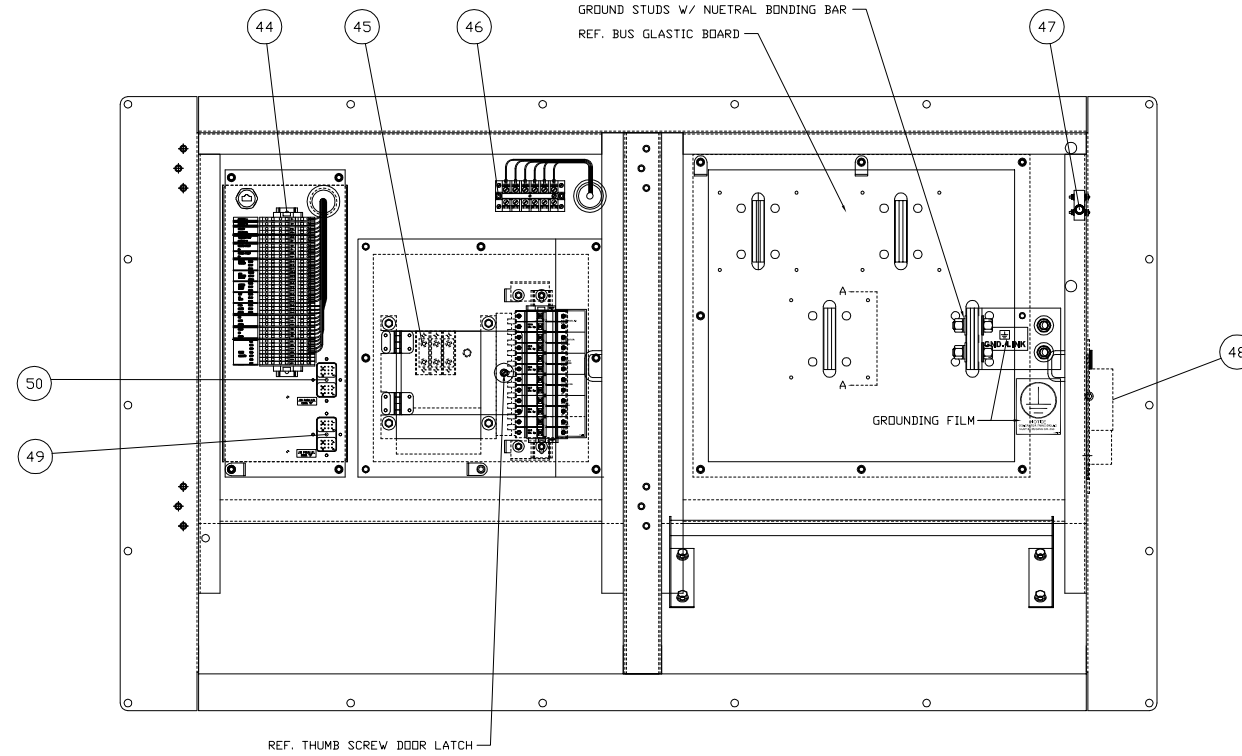
AIR RIDE CHASSIS TARE WEIGHT = 6,400 LBS.
AIR RIDE CHASSIS TARE WEIGHT W/LADDER STOR. BOXES = 7,000 LBS.
POWER MODULE ARRANGEMENT WITHOUT CHASSIS & NO FUEL = 39,900 LBS.
POWER MODULE ARRANGEMENT W/CHASSIS NO FUEL = 46,900 LBS.
POWER MODULE ARRANGEMENT WITHOUT CHASSIS & FULL FUEL = 49,600 LBS.
POWER MODULE ARRANGEMENT W/CHASSIS & 100 US GAL. FUEL = 47,300 LBS.
POWER MODULE ARRANGEMENT W/CHASSIS FULL FUEL = 56,200 LBS.
POWER MODULE ARRANGEMENT W/CHASSIS & 100 US GAL. FUEL TONGUE WT. = 20,500 LBS.
NOTE: POWER MODULE ARRANGEMENT W/CHASSIS & 100 US GAL. PULLED BY A 20,040 LBS. DUAL AXLE TRACTOR = 67,100 LBS.

NOTE A: ILLUSTRATIONS ON THIS SHEET ARE FOR REFERENCE PURPOSES ONLY AND MAY NOT ACCURATELY REPRESENT THE ACTUAL CONSTRUCTION OF THE PACKAGE ARRANGEMENT. LEVEL OF DETAIL IN EACH VIEW IS MEANT TO DEPICT THE LAYOUT AND NOT ALL COMPONENTS ARE SHOWN FOR CLARITY. DO NOT SCALE FROM THIS DRAWING. DIMENSIONS SHOWN REPRESENT REAL LIFE SPATIAL CONSTRAINTS.
NOTE B: GUTTERS ARE INSTALLED FOR CSA CERTIFICATION AGAINST WATER INGRESS. IT MAY BE NECESSARY TO REMOVE THE GUTTERS FOR SHIPPING PURPOSES WHEN OVERALL EXTERIOR TRANSVERSE DIMENSION MAY NOT EXCEED 96.00 INCHES.

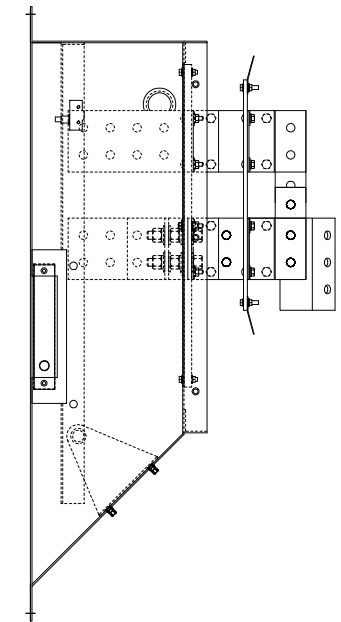
DATE BY	ALTORFER		ALTORFER POWER SYSTEMS		
	6315 W. FAUBER RD. BARTONVILLE, IL 61607		PHONE (309) 697-1234 FAX (309) 282-7546		
CHANGE NOTICE	THIS DOCUMENT CONTAINS PROPRIETARY INFORMATION OF ALTORFER, INC. WITHOUT THE WRITTEN PERMISSION OF ALTORFER, INC., ANY COPYING OR OTHER USE EXCEPT THAT FOR WHICH IT WAS INTENDED IS PROHIBITED.				
	ALL DIMENSIONS IN INCHES UNLESS OTHERWISE SPECIFIED	FILE	PROJECT REFERENCE		
	TOLERANCES: XX ± 0.100 XXX ± 0.060 XXXX ± 0.005	THIRD ANGLE PROJECTION	DF/81A	1=50/D	APSI000A
	ANGULAR ± 1°	SHEET	1 OF 2	DRAWN BY JAM	QUOTE NUMBER -
TITLE	GENERAL DIMENSIONS & WEIGHTS		DATE 01-30-15	WORK ORDER NUMBER -	
NO				DRAWING NUMBER 81A600A	



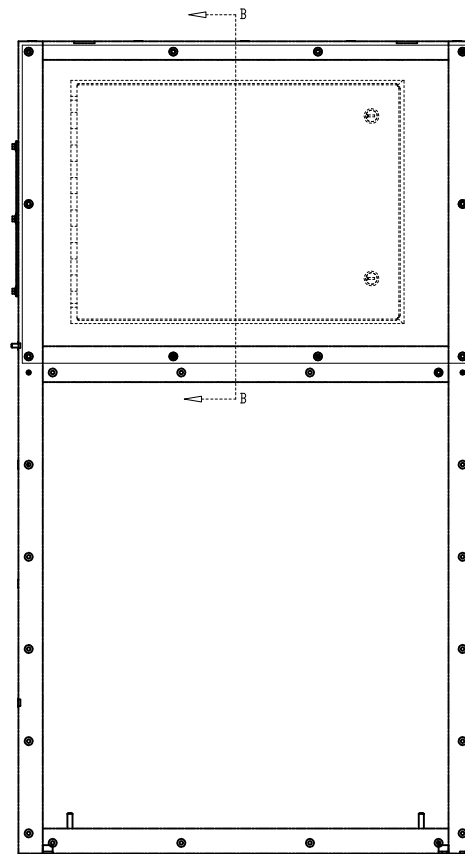
CONTROL PANEL DETAIL
NO SCALE



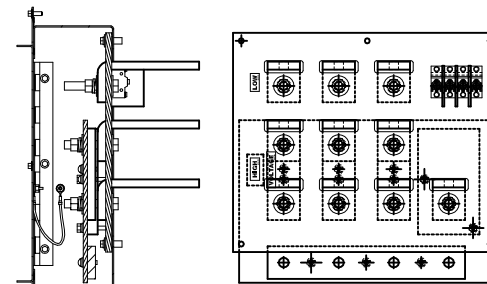
LOAD PAN DETAIL
NO SCALE



SECTION DETAIL A-A
TYP. 4 PLACES
NO SCALE

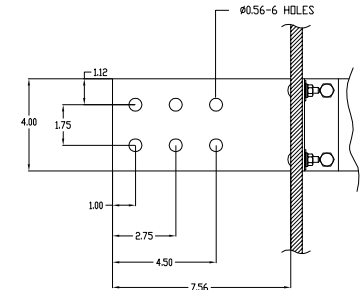


LINKBOARD DETAIL
NO SCALE



SECTION B-B

CHANGE OVER BOARD FRONT VIEW



SECTION DETAIL A-A
TYP. 4 PLACES
NO SCALE

		ALTORFER		ALTORFER POWER SYSTEMS	
		6315 W. FAUBER RD. BARTONVILLE, IL 61607		PHONE (309) 697-1234 FAX (309) 282-7546	
THIS DOCUMENT CONTAINS PROPRIETARY INFORMATION OF ALTORFER, INC. WITHOUT THE WRITTEN PERMISSION OF ALTORFER, INC., ANY COPYING OR OTHER USE EXCEPT THAT FOR WHICH IT WAS INTENDED IS PROHIBITED.					
CHANGE NOTICE	ALL DIMENSIONS IN INCHES UNLESS OTHERWISE SPECIFIED	FILE	PROJECT REFERENCE		
	TOLERANCES: XX ± 0.100 XXX ± 0.050 XXX ± 0.025	DF/81A	SCALE/SHEET SIZE	DRAWN BY	QUOTE NUMBER
	THIRD ANGLE PROJECTION	1=50/D	SHEET	DATE	WORK ORDER NUMBER
	ANGULAR ± 1°	2 OF 2		01-30-15	
TITLE		DRAWING NUMBER		DRAWING NUMBER	
GENERAL DIMENSIONS & WEIGHTS		81A600B		81A600B	