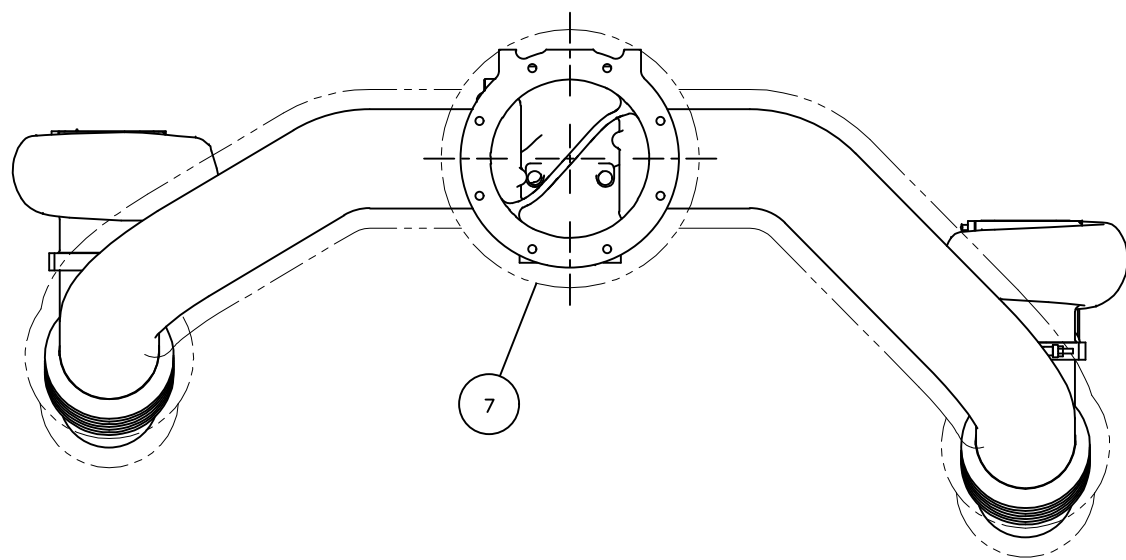
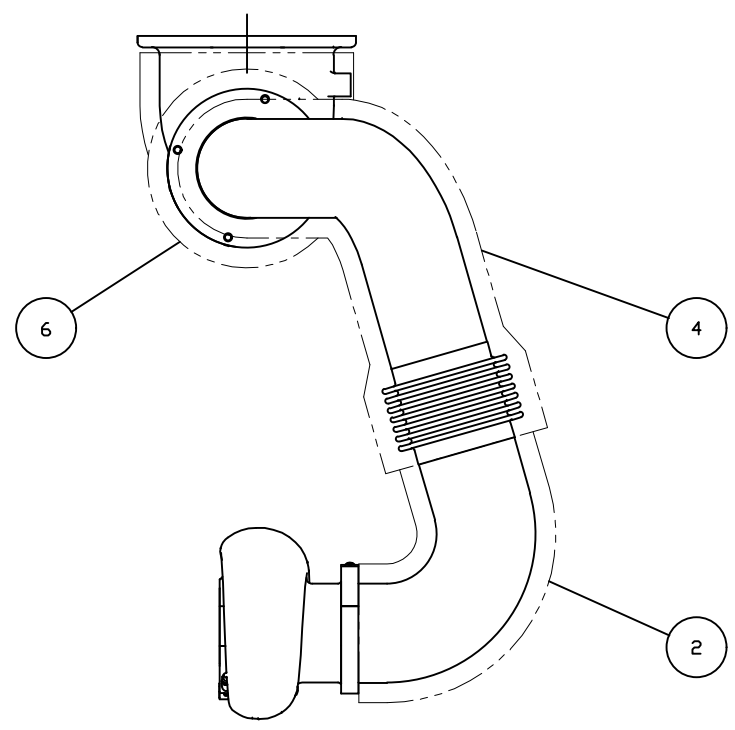


INCH 81A530-00

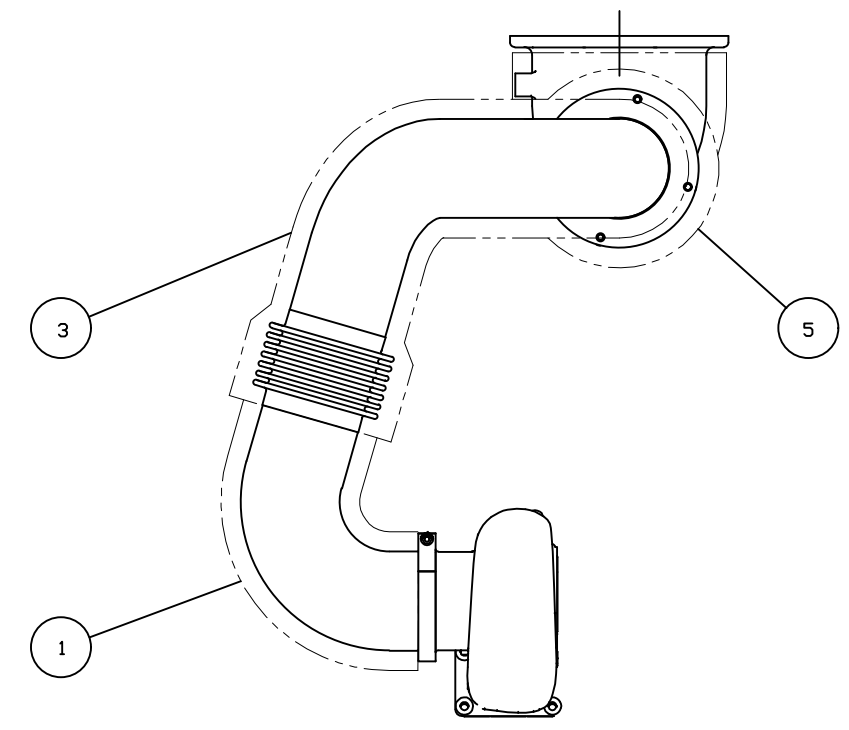
ITEM	QTY.	DESCRIPTION	
1	1	91149	TURBO OUTLET LEFT BLANKET
2	1	91150	TURBO OUTLET RIGHT BLANKET
3	1	91151	ELBOW + FLEX LEFT BLANKET
4	1	91152	ELBOW + FLEX RIGHT BLANKET
5	1	91153	COLLECTOR INLET LEFT BLANKET
6	1	91154	COLLECTOR INLET RIGHT BLANKET
7	1	91155	COLLECTOR BLANKET



ENGINE PLAN VIEW




ENGINE RIGHT HAND VIEW



ENGINE LEFT HAND VIEW

NOTE A: BLANKETS SHALL BE RECEIVED UNDER 81D103

DATE BY		 ALTORFER POWER SYSTEMS 6315 W. FAUBER RD. PHONE (309) 697-1234 BARTONVILLE, IL 61607 FAX (309) 282-7546	
CHANGE NOTICE	ALL DIMENSIONS IN INCHES UNLESS OTHERWISE SPECIFIED	FILE	PROJECT REFERENCE
	TOLERANCES: X.X ± 0.100 X.XX ± 0.060 X.XXX ± 0.005	DF\81A	APS1000A
	THIRD ANGLE PROJECTION	SCALE/SHEET SIZE	DRAWN BY
	ANGULAR ± 1°	1=10/B	JAM
		SHEET	DATE
		1 OF 1	01-14-15
		TITLE	
		TURBO PIPING EXHAUST BLANKET ASSEMBLY	
			DRAWING NUMBER
			81A530-00