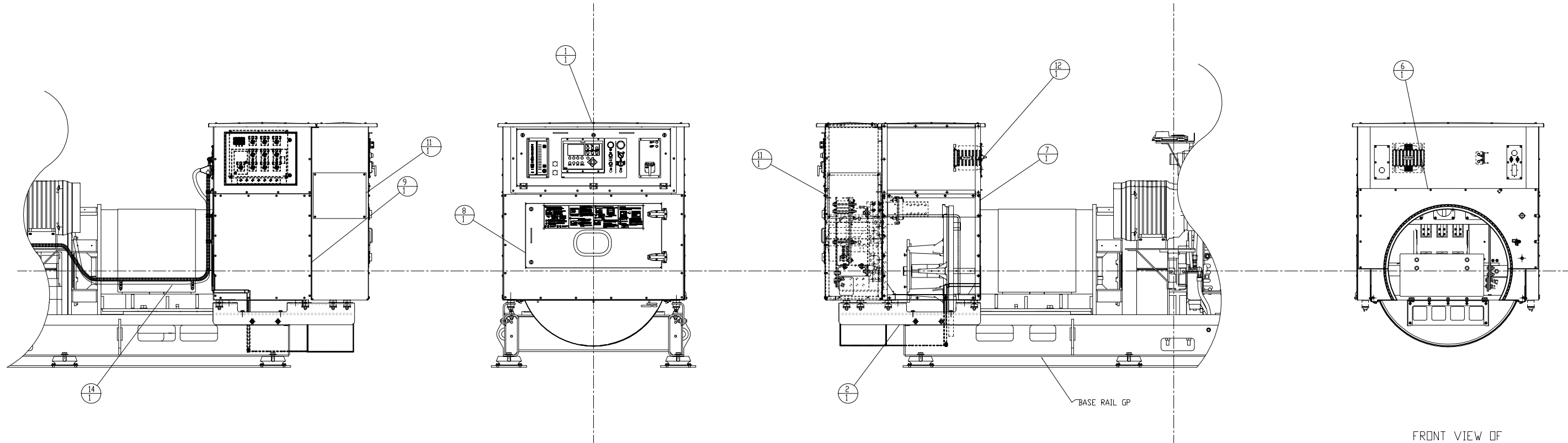
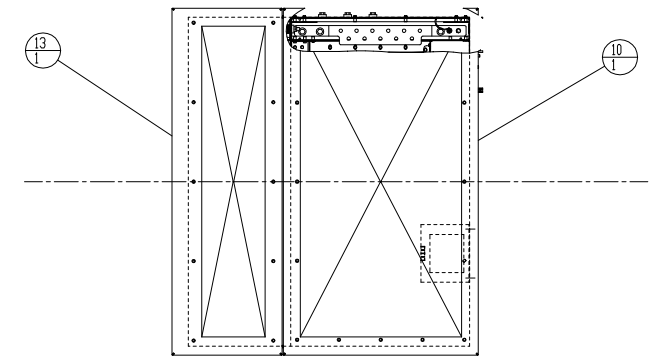


NOTE	ITEM	QTY	MEAS UNIT	PART NO.	NAME
PARTS LIST					
	1	1		81E502	DOGHOUSE GP.
	2	1		81E512	MOUNTING GP.
A	3	1		88E148	CABLE GP - CB TO LOAD BUS
A	4	1		88E149	CONNECTION GP - LOAD BUS
A	5	1		88E150	CONNECTION GP - CB
A	6	1		81E514	COVER GP - SCREEN
A	7	1		88E141	COVER GP - CURB SIDE
A	8	1		358-2816	COVER GP
A	9	1		357-1336	COVER GP
A	10	1		357-1368	COVER GP
A	11	2		357-1384	COVER GP
A	12	1		358-2795	COVER GP
A	13	1		362-6491	COVER GP
	14	1		81E515	DOGHOUSE INTERFACE GP.



FRONT VIEW OF ENGINE

NOTE A: RESERVE INSTALLING UNTIL AFTER THE GENSET IS MERGED INTO THE CONTAINER

<p><b>ALTORFER POWER SYSTEMS</b>          6315 W. FAUBER RD. PHONE (309) 697-1234          BARTONVILLE, IL 61607 FAX (309) 202-7546</p>		<p>THIS DOCUMENT CONTAINS PROPRIETARY INFORMATION OF ALTORFER, INC. WITHOUT THE WRITTEN PERMISSION OF ALTORFER, INC., ANY COPYING OR OTHER USE EXCEPT THAT FOR WHICH IT WAS INTENDED IS PROHIBITED.</p>	
		<p>ALL DIMENSIONS IN INCHES UNLESS OTHERWISE SPECIFIED</p> <p>TOLERANCES:          .XX ± 0.100          .XXX ± 0.060          .XXX ± 0.005</p>	<p>FILE          DF/81A</p> <p>SCALE/SHEET SIZE          1=15/D</p> <p>THIRD ANGLE PROJECTION</p> <p>ANGULAR ± 1°</p>
<p>CHANGE NOTICE</p>	<p>TITLE          DOGHOUSE INSTALLATION GROUP</p>		